

Wheels - System Description

Roues - Description du système






Revision	Date	Description	Author	Checked	Approved
0	19 Oct 2021	Creation	G. MASSON 	Y. MERLE 	
1	4 Aug 2022	RF part and JI+JE added			

Table des matières

1	GENERAL	2
2	PRINCIPLE.....	2
3	MAIN WHEEL / ROUE PRINCIPALE	3
4	AUXILIARY WHEEL / ROUE AUXILIAIRE	4
5	WHEELS WITH CAPTIVE SPACER / ROUES AVEC ENTRETOISE CAPTIVE	5
6	TUBE-TYPE WHEELS / ROUES AVEC CHAMBRE A AIR	6
7	SCREWED WHEELS / ROUES VISSEES	7
8	3-PARTS WHEELS / ROUES EN 3 PARTIES	8
9	ILLUSTRATED PART CATALOGUE.....	9
10	ILLUSTRATED PART CATALOGUE (WHEEL ASSY)	86

1 General

BERINGER wheels are all tubeless and based on the same technical principle of 2 wheel-halves screwed together. Different models exist, depending on the following criteria:

- Rim diameter
- Rim width
- Rim load ratings
- Bearing size (interface with the axle)
- Bearing material (standard or stainless steel)
- Brake disk size

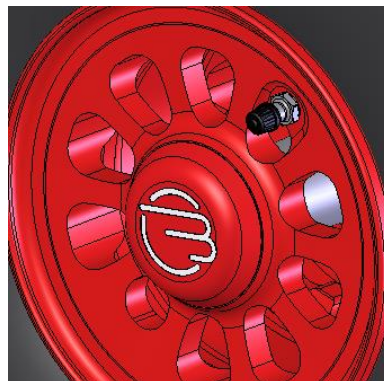
Les roues BERINGER sont toutes tubeless et basées sur le même concept technique de 2 demi-jantes vissées ensemble. Il existe différents modèles suivant les critères suivants :

- *Diamètre de jante*
- *Largeur de jante*
- *Résistance nominale de la jante*
- *Taille de roulements (interface avec l'axe)*
- *Matériau des roulements (standard ou inox)*
- *Taille du disque de frein*

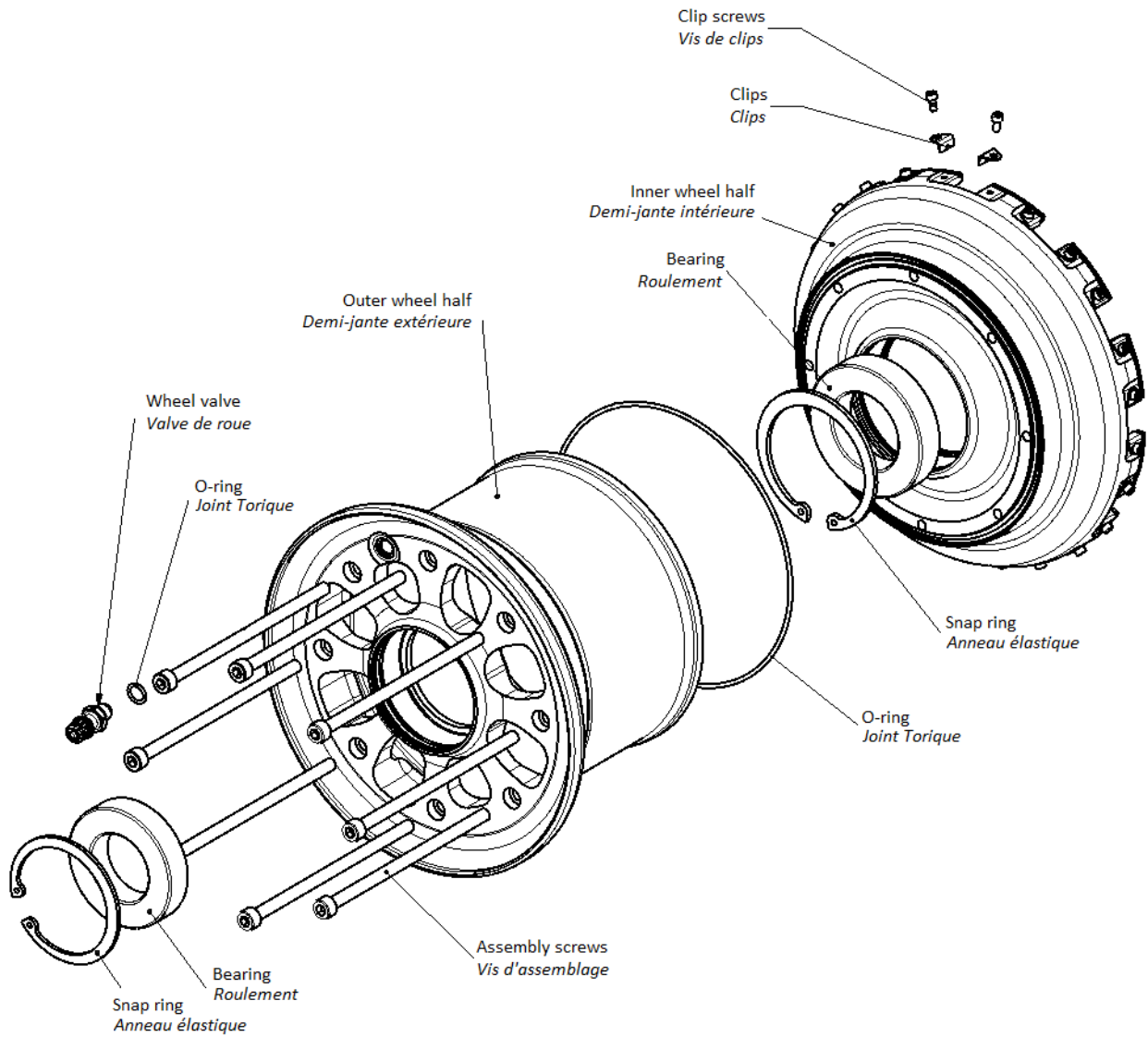
2 Principle

BERINGER wheels (main and auxiliary) are tubeless, made of 2 anodized aluminum wheel halves. They are fastened together thanks to assembly screws (number and diameter may vary depending on models). Airtightness is ensured by an O-ring between the wheel halves. Each wheel half comes with a bearing (ball or tapered roller type depending on models). The wheel valve is installed directly on the external wheel half. The interface to the brake disk is ensured by clip-equipped torque-ears on the inner wheel half for main wheels. Some wheels can be fit with a hub cap (picture below).

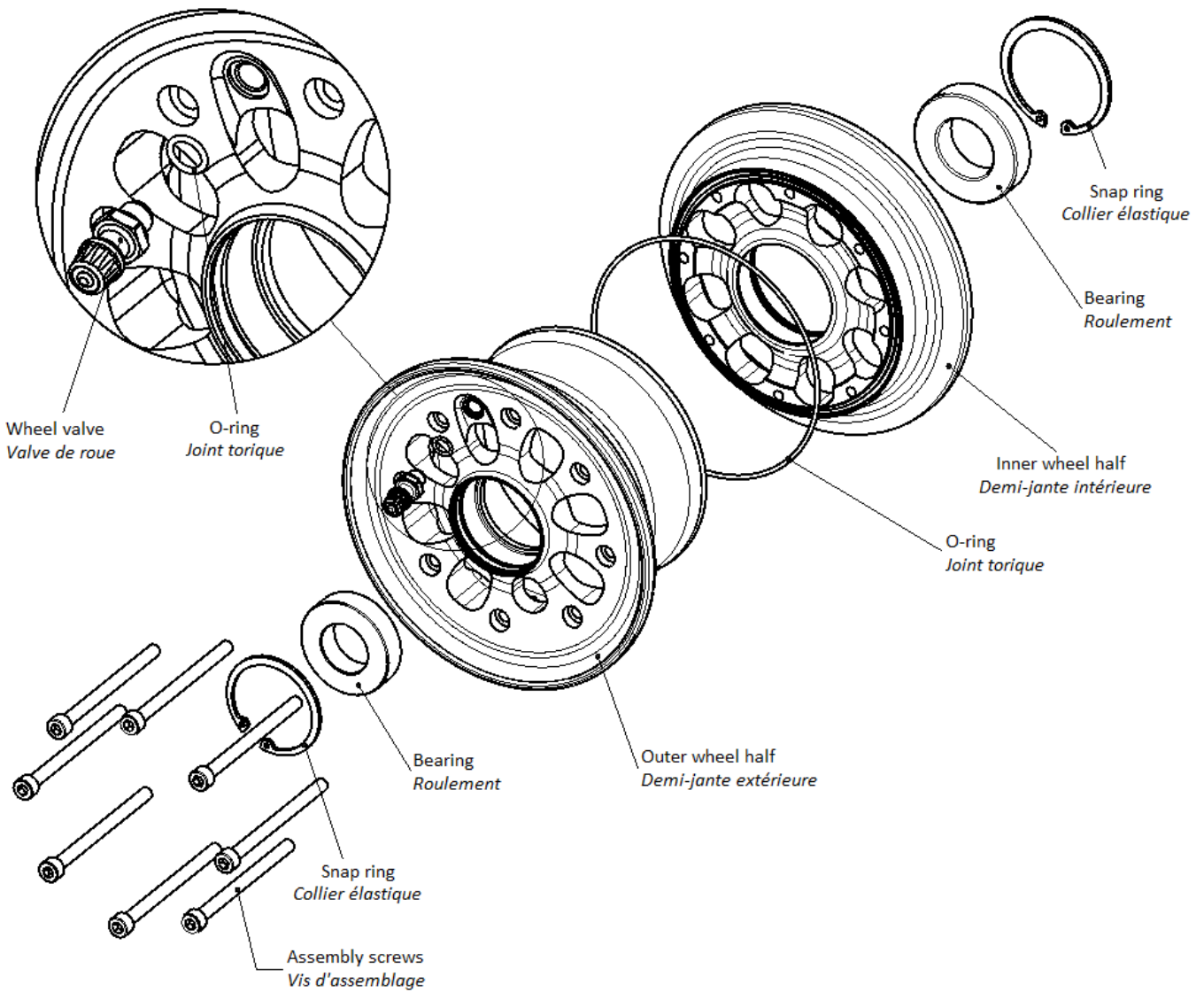
Les roues BERINGER (principales et auxiliaires) sont tubeless, composées de 2 demi-jantes en aluminium anodisé. Elles sont fixées ensemble par des vis d'assemblage (nombre et diamètre peuvent varier suivant les modèles). L'étanchéité est assurée par un joint torique entre les demi-jantes. Chaque demi-jante comporte un roulement (à bille ou à rouleaux coniques suivant les modèles). La valve de roue est installée sur la demi-jante extérieure. L'interface avec le disque de frein est réalisée par les oreilles de reprise de couple équipées de clips sur la demi-jante intérieure des roues principales. Certaines roues peuvent être équipées d'un bouchon (image ci-dessous).



3 Main wheel / *Roue principale*



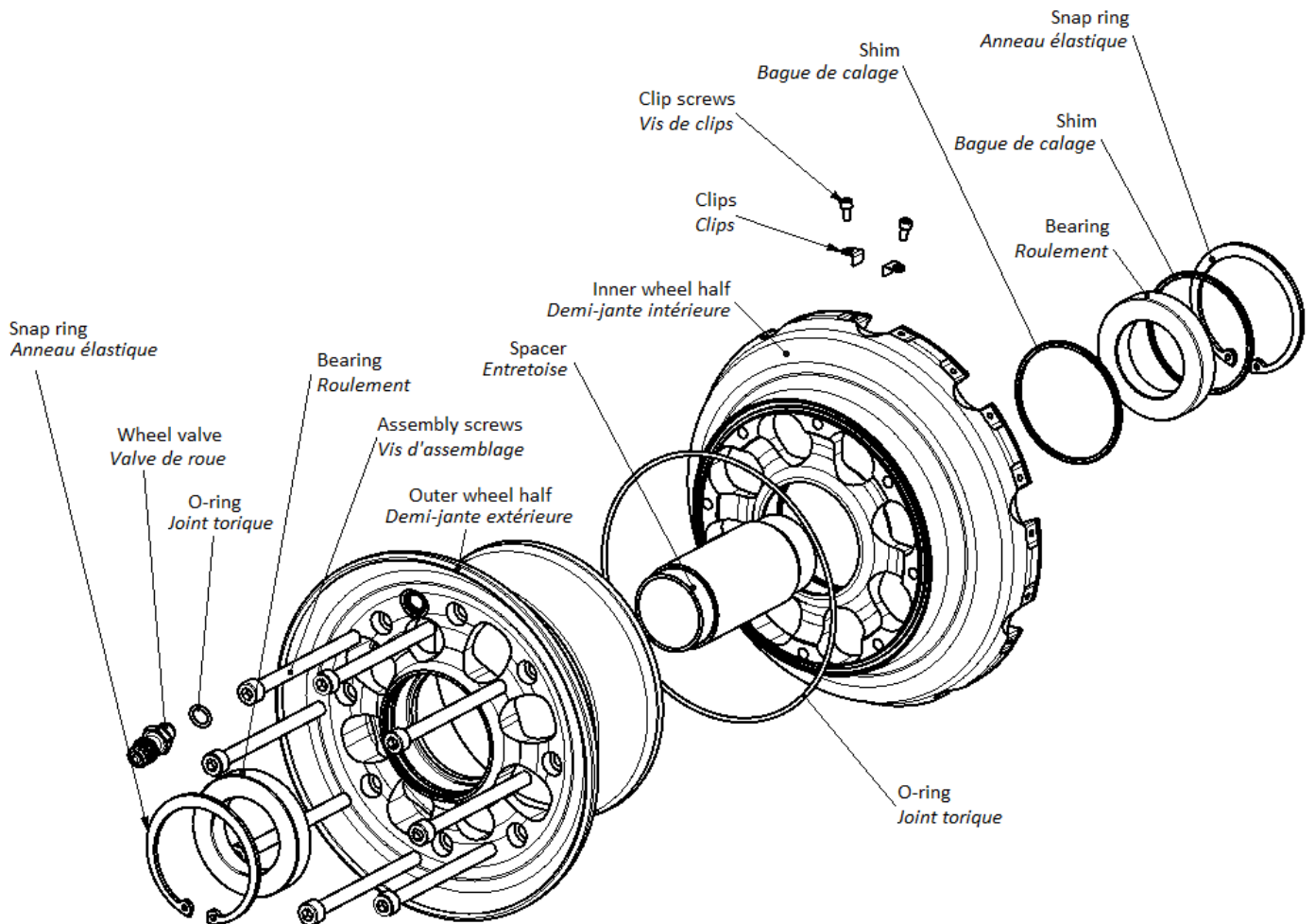
4 Auxiliary wheel / Roue Auxiliaire



5 Wheels with captive spacer / *Roues avec entretoise captive*

Some wheels of the BERINGER range come with a spacer inside to simplify the interface with aircraft original axle. Technical concept is the same as standard 2-part wheels.

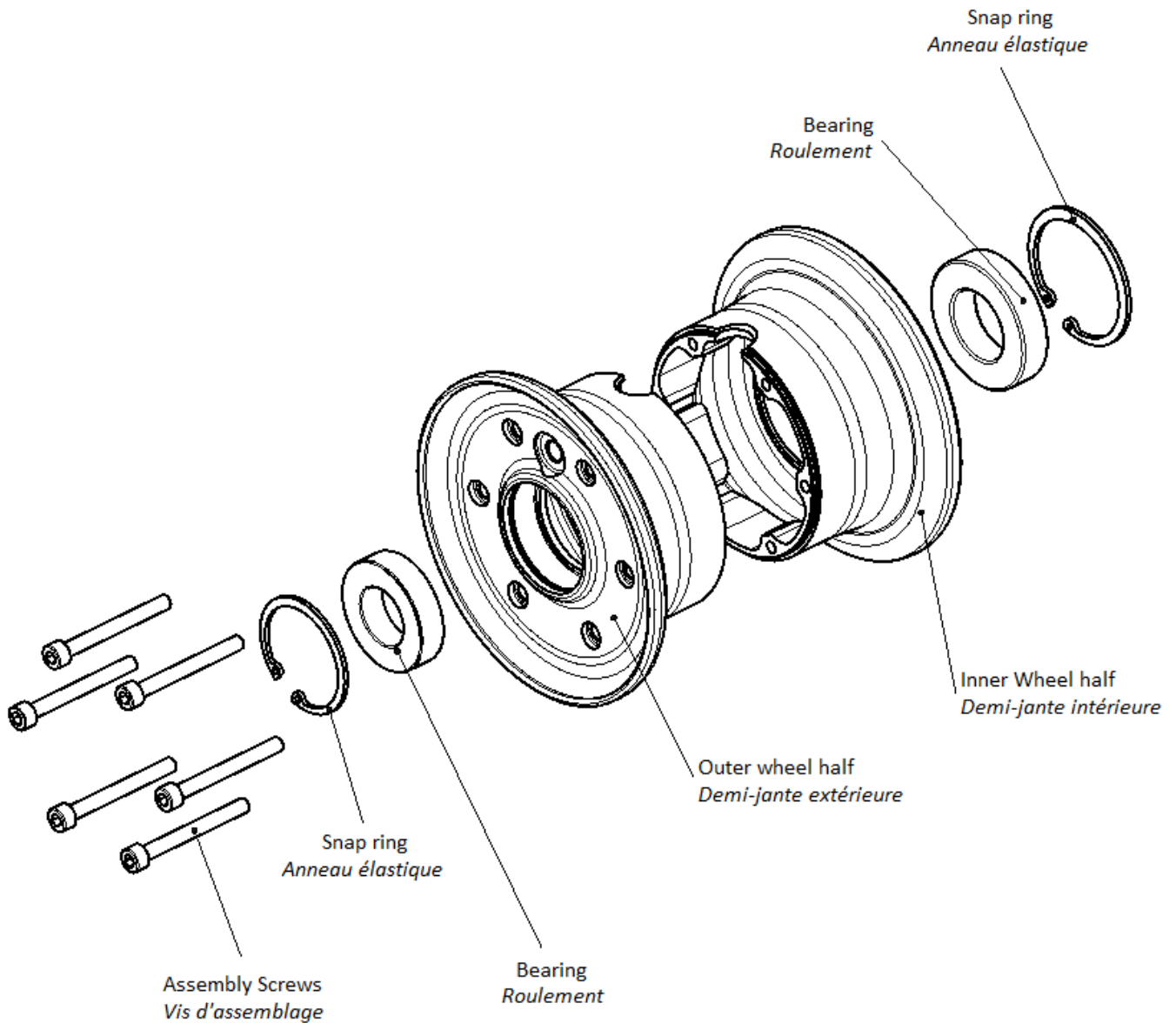
Certaines roues de la gamme BERINGER comportent une entretoise à l'intérieur pour simplifier l'interface avec l'axe d'origine de l'avion. Le concept technique est le même que les roues en 2 parties standard.



6 Tube-type wheels / *Roues avec chambre à air*

Some wheels of the BERINGER range are compatible with tubes. Technical concept is the same, except there is no airtightness then no O-ring, and no wheel valve.

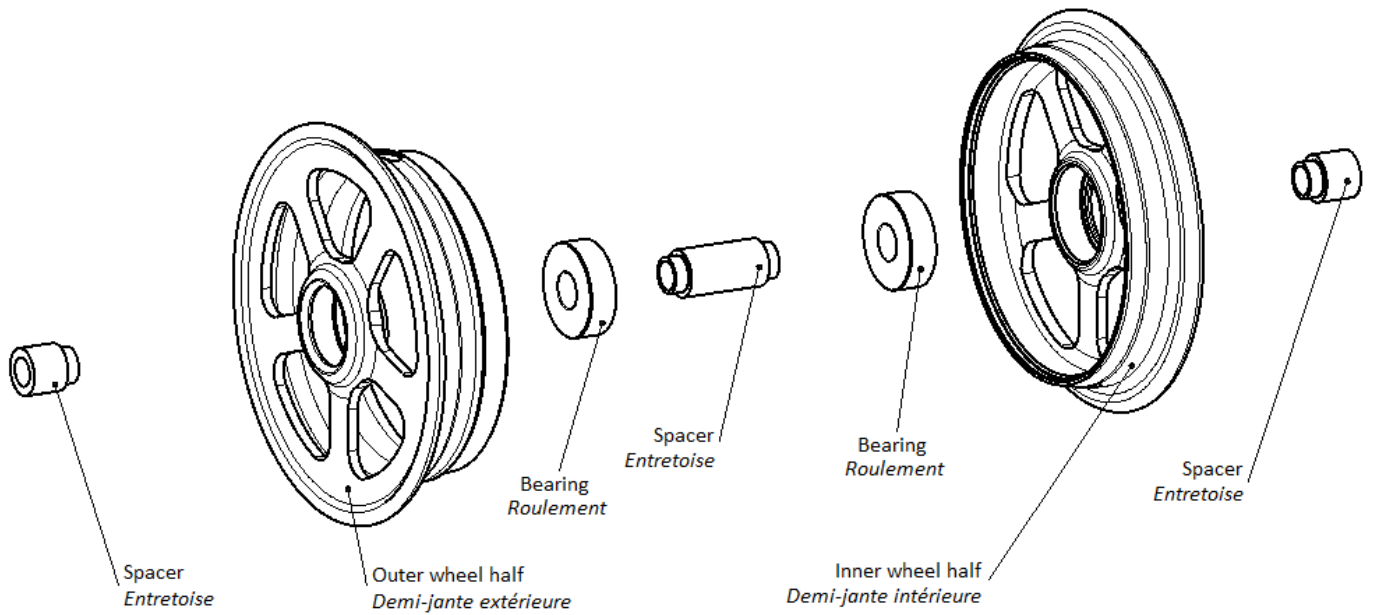
Certaines roues de la gamme BERINGER sont compatibles avec des chambres à air. Le concept technique est le même sans étanchéité, donc pas de joint torique ni de valve.



7 Screwed wheels / *Roues vissées*

Some wheels of the BEERINGER range are screwed and compatible with tubes. There is no airtightness then no O-ring, and no wheel valve, and the wheel halves are directly screwed one in the other.

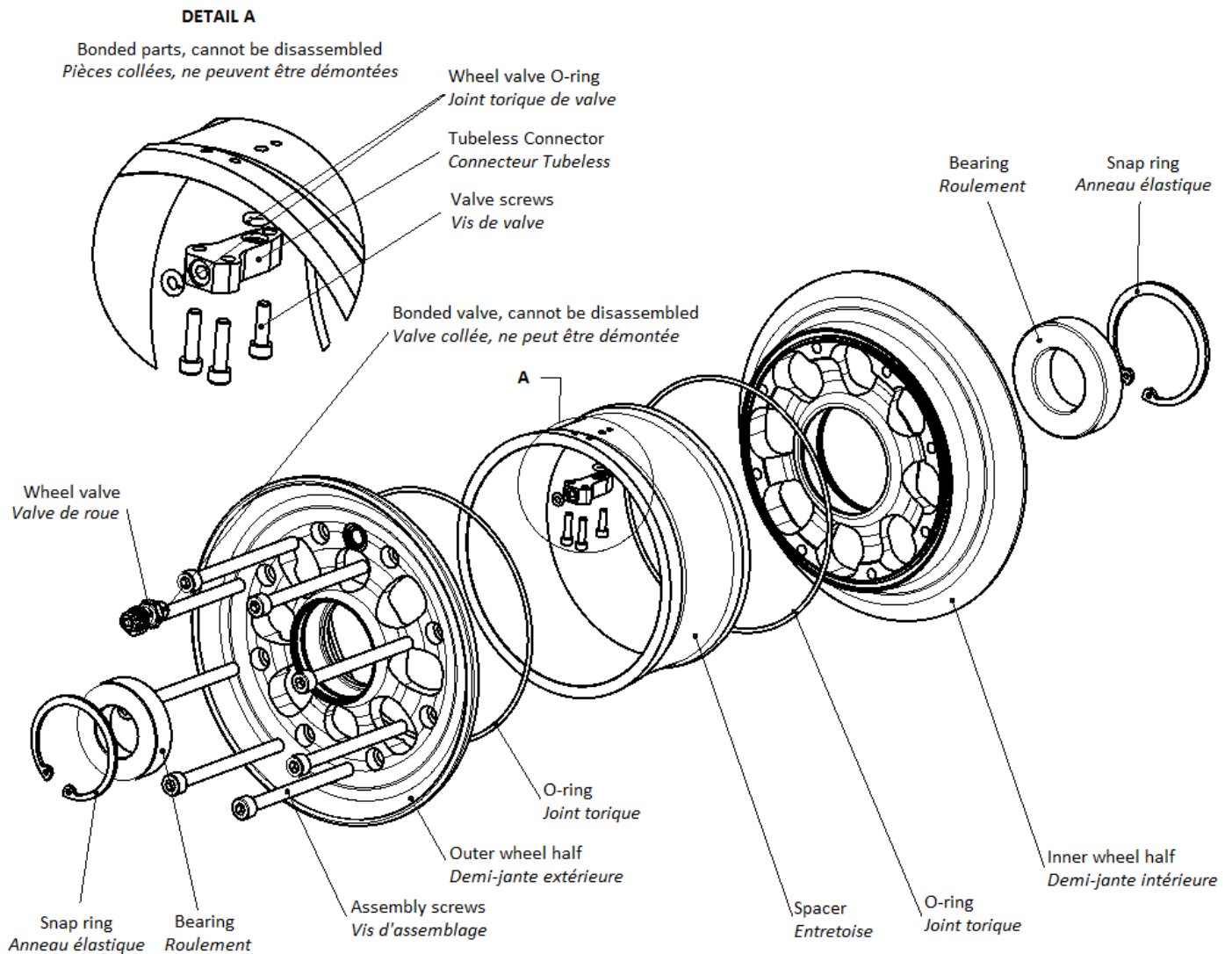
Certaines roues de la gamme BEERINGER sont vissées et compatibles avec des chambres à air. Il n'y a pas d'étanchéité, donc pas de joint torique ni de valve, et les demi-jantes sont directement vissées l'une dans l'autre.



8 3-parts wheels / Roues en 3 parties

The former BERINGER wheels were made of 3 parts. These wheels were superseded by 2-parts ones. However, principle remains the same, except that the wheel halves are assembled on a central cylindrical spacer, with 2 O-rings, and the wheel valve is bonded in the rim.

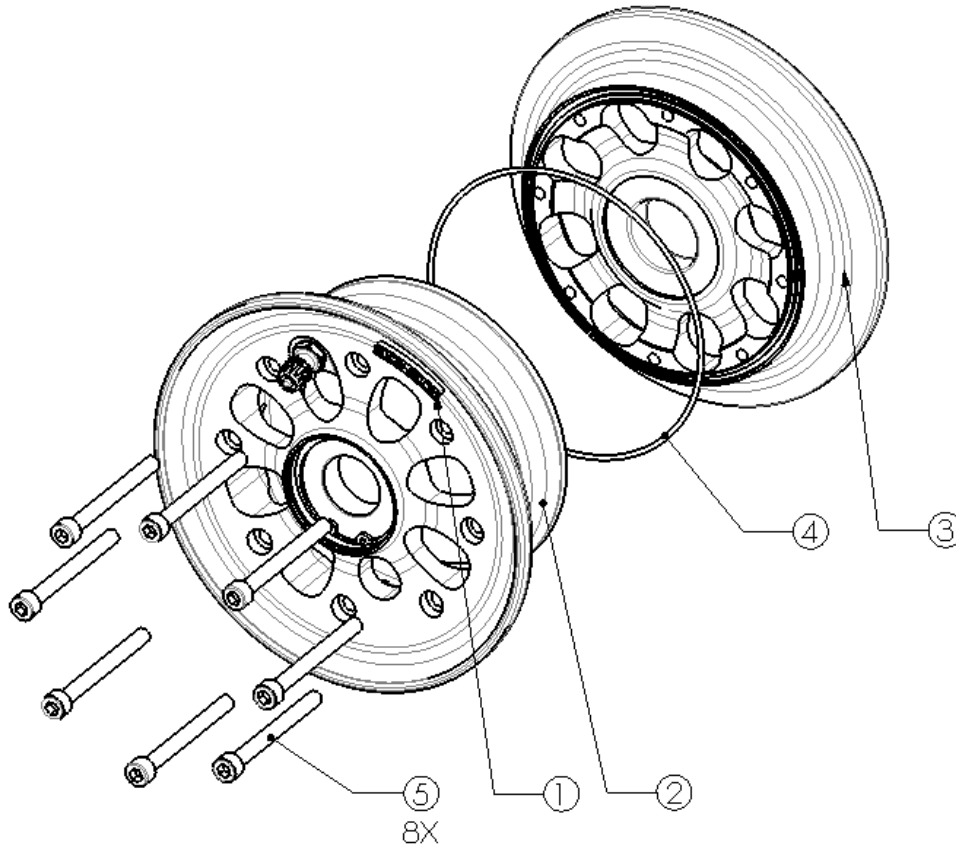
Les anciennes roues BERINGER étaient composées de 3 parties. Ces roues ont été remplacées par les roues en 2 parties. Toutefois, le principe est resté le même, à l'exception des demi-jantes qui sont assemblées sur une entretoise centrale cylindrique, et la valve de roue qui est collée à l'intérieur de la jante.



9 Illustrated Part Catalogue

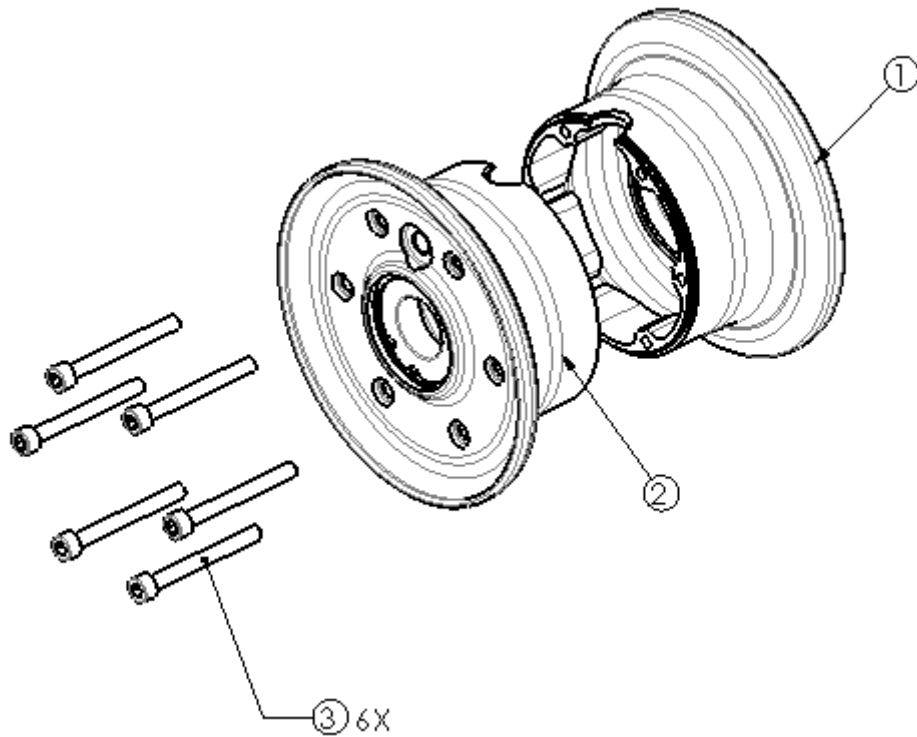
NOTE: Products referenced with * are not produced by BERINGER anymore. *Les produits référencés avec une * ne sont plus produits par BERINGER.*

9.1 RA-015/RA-015W

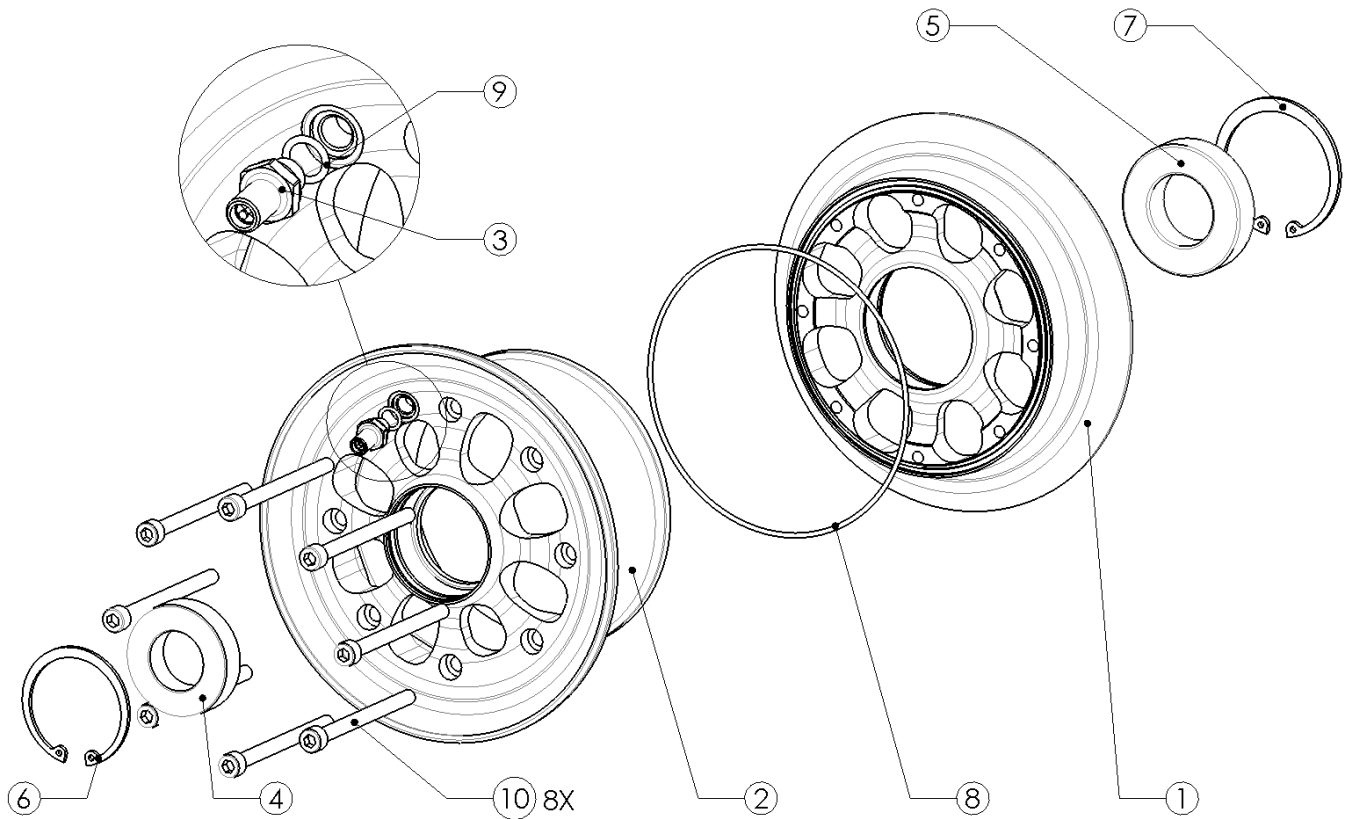


5	V-CHC-035	M6x60_Assy. Screw/Vis	8
4	J-JTR-006N	O-Ring Wheel 5"/ Joint roue 5"	1
3	JI-029 / JI-029W	5.00x5" HL (Ø30)_Inner Wheel Assy / Assemblage Jante Int 5.00x5" HL (Ø30)_Inner Wheel Assy (Stainless Steel Bearings) / Assemblage Jante Int (Rlts Inox)	1
2	JE-027 / JE-027W	4.00x5" Std (Ø25)_Outer Wheel Assy/ Assemblage Jante Ext 4.00x5" Std (Ø25)_Outer Wheel Assy (Stainless Steel Bearings) / Assemblage Jante Ext (Rlts Inox)	1
1	ETQ-006 (ONLY FOR RA-015)	Etiquette TSO C26d – ETSO C26d (ONLY for RA-015)	1
REP	PART NUMBER	DESCRIPTION	QTY

9.2 RA-001

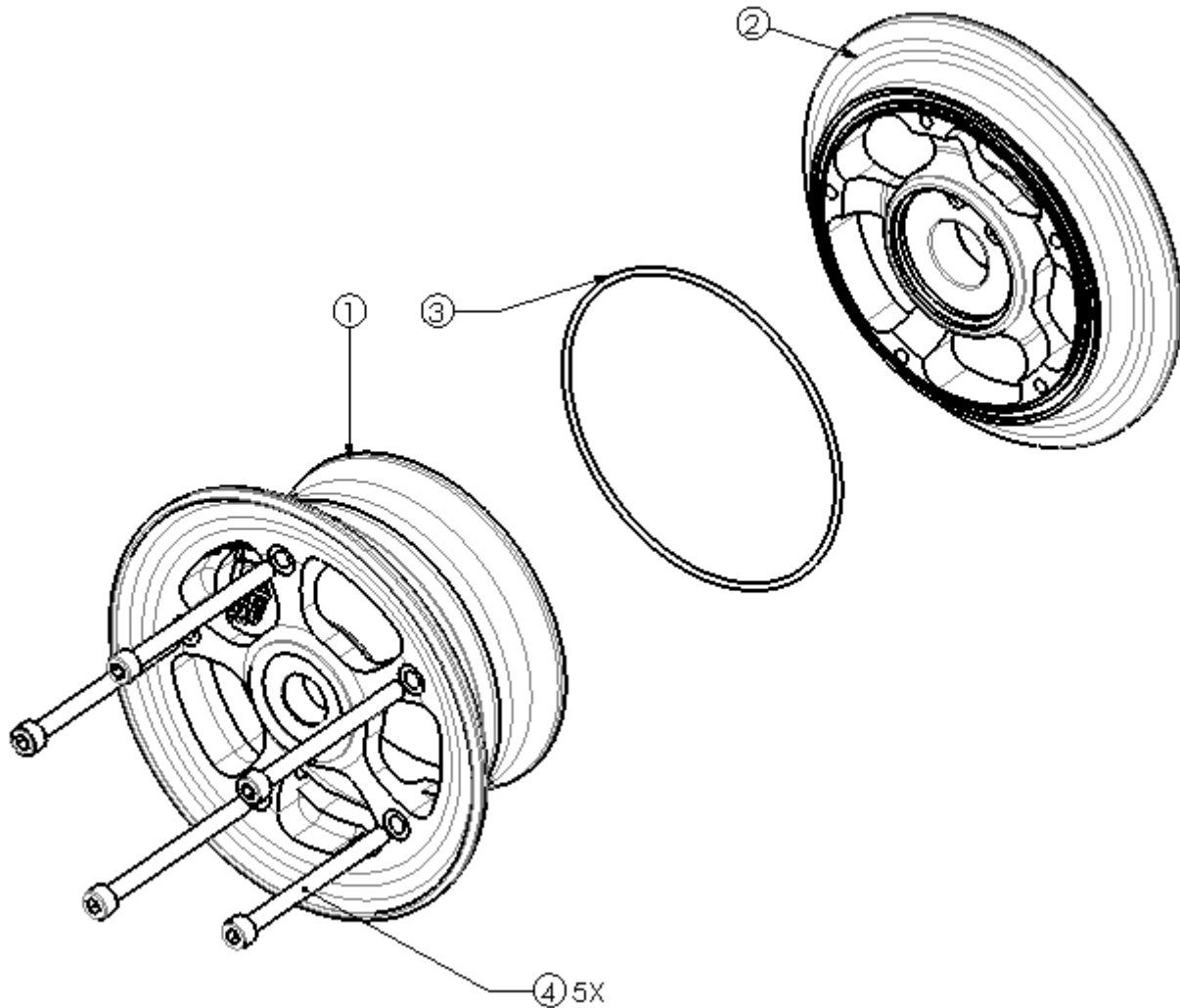


3	V-CHC-001	M6-55(Q12.9)_Screw/ Vis	6
2	JE-005	5.00x4" _Outer Wheel Assy/Assemblage Jante Ext	1
1	JI-005	5.00x4" (Ø30)_Inner Wheel Assy/Assemblage Jante Int	1
REP	PART NUMBER	DESCRIPTION	QTY

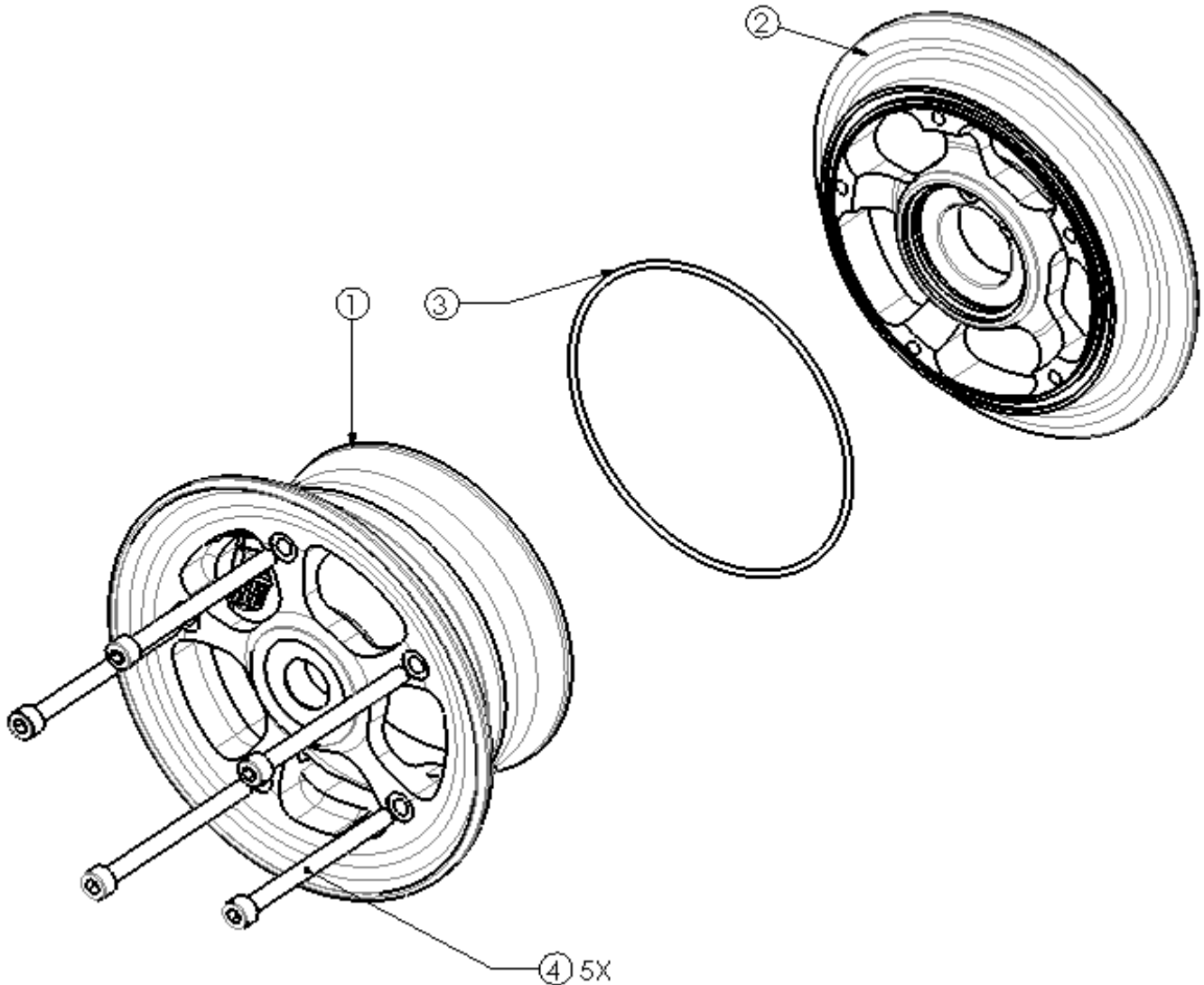
9.3 RA-002*


10	V-CHC-003	M6x75 (Q12.9)_Screw/Vis Chc	8
9	J-JTR-017N	Valve O-Ring/ Joint Valve	1
8	J-JTR-006N	O-Ring Wheel 5"/ Joint roue 5"	1
7	C-AL-002	Circlip D55	1
6	C-AL-001	Circlip D47	1
5	B-BE-002	D55_Bearing/Roulement	1
4	B-BE-001	D47_Bearing/Roulement	1
3	A-001	Valve	1
2	JAE-019	5"Std_Outer wheel half/ Jante Ext	1
1	JAI-006	5"Std_Inner wheel half/ Jante Int	1
REP	PART NUMBER	DESCRIPTION	QTY

9.4 RA-003

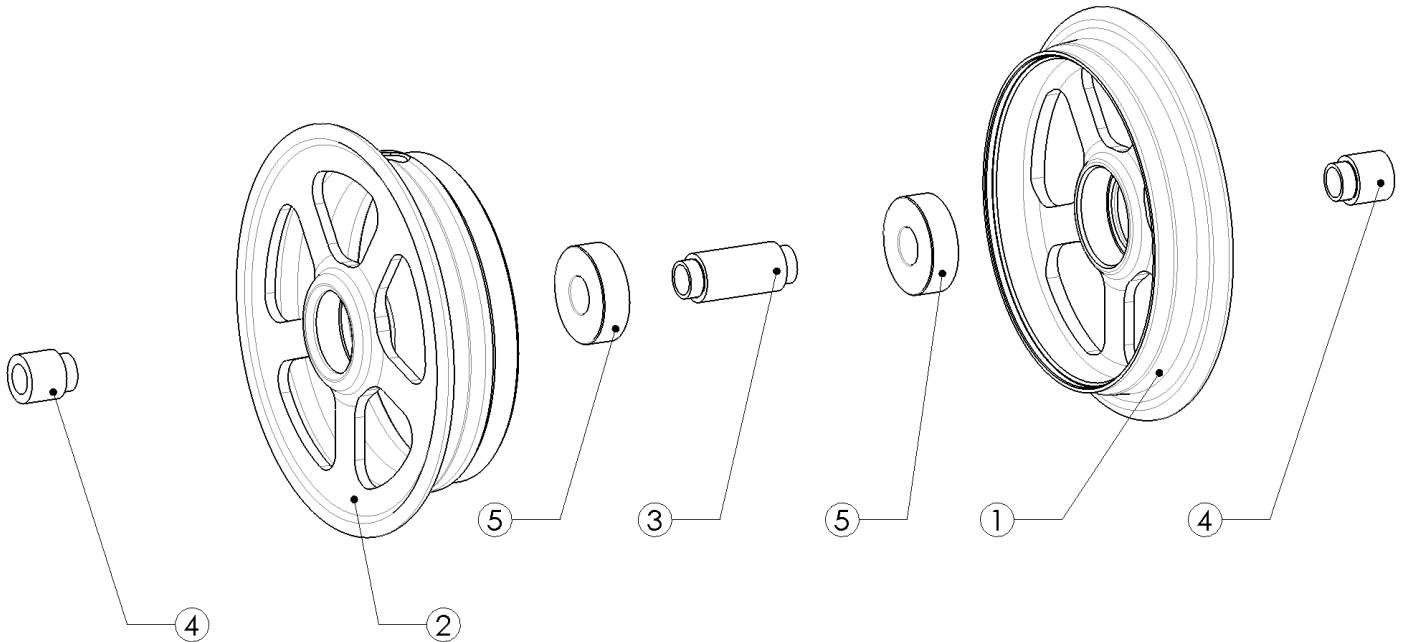


4	V-CHC-015	M5x60_Screw/Vis Chc	5
3	J-JTR-019N	4''_O-Ring/ Joint torique	1
2	JI-013	3.5x4''_Inner Wheel Assy / Assemblage Roue Avant	1
1	JE-009	3.5x4''(Ø15)_Outer Wheel Assy/ Assemblage Jante Ext	1
REP	PART NUMBER	DESCRIPTION	QTY

9.5 RA-003.1


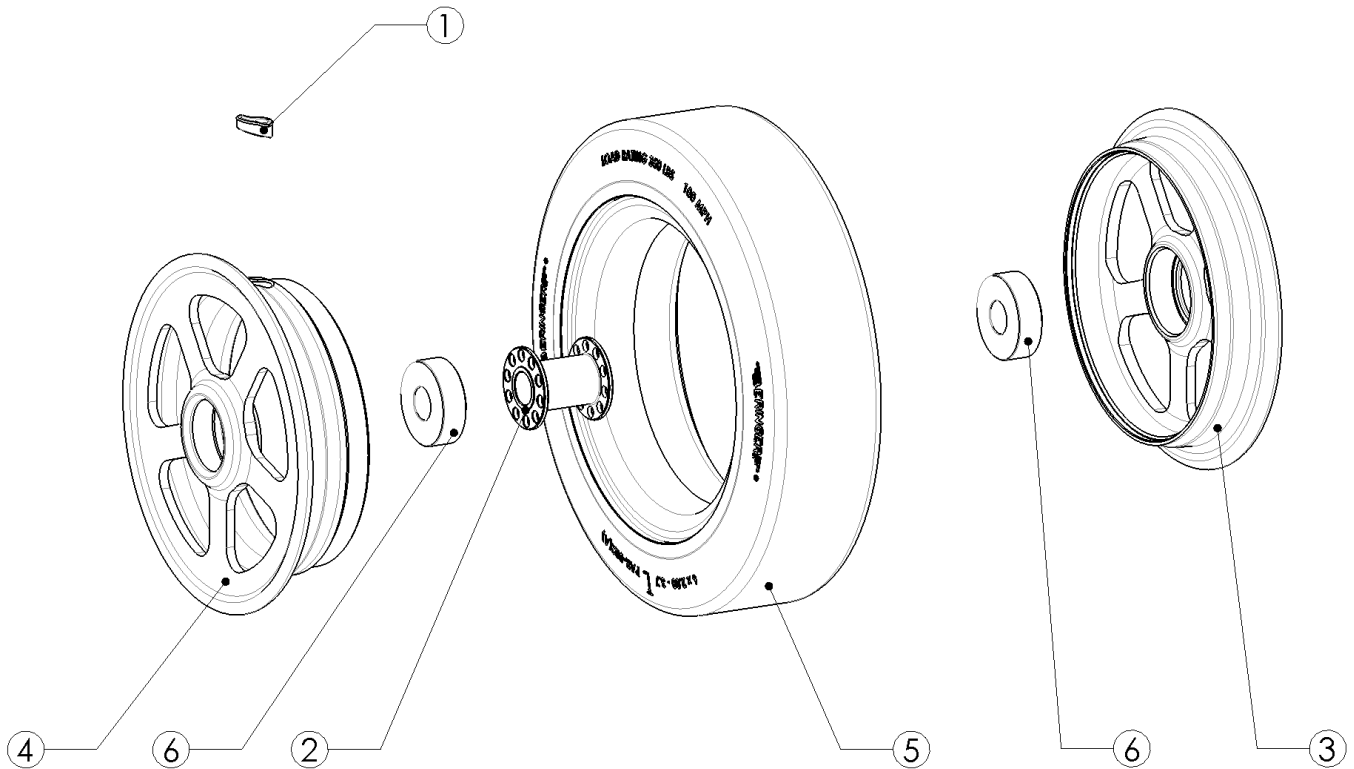
4	V-CHC-015	M5x60_Screw/Vis Chc	5
3	J-JTR-019N	4''_O-Ring/ Joint torique	1
2	JI-013.1	3.5x4'' (25)_Inner Wheel Assy (Low Profile Bearing) / Assemblage Jante Int Rlt Taille Basse	1
1	JE-009	3.5x4''(Ø15)_Outer Wheel Assy/ Assemblage Jante Ext	1
REP	PART NUMBER	Description	QTY

9.6 RA-004*



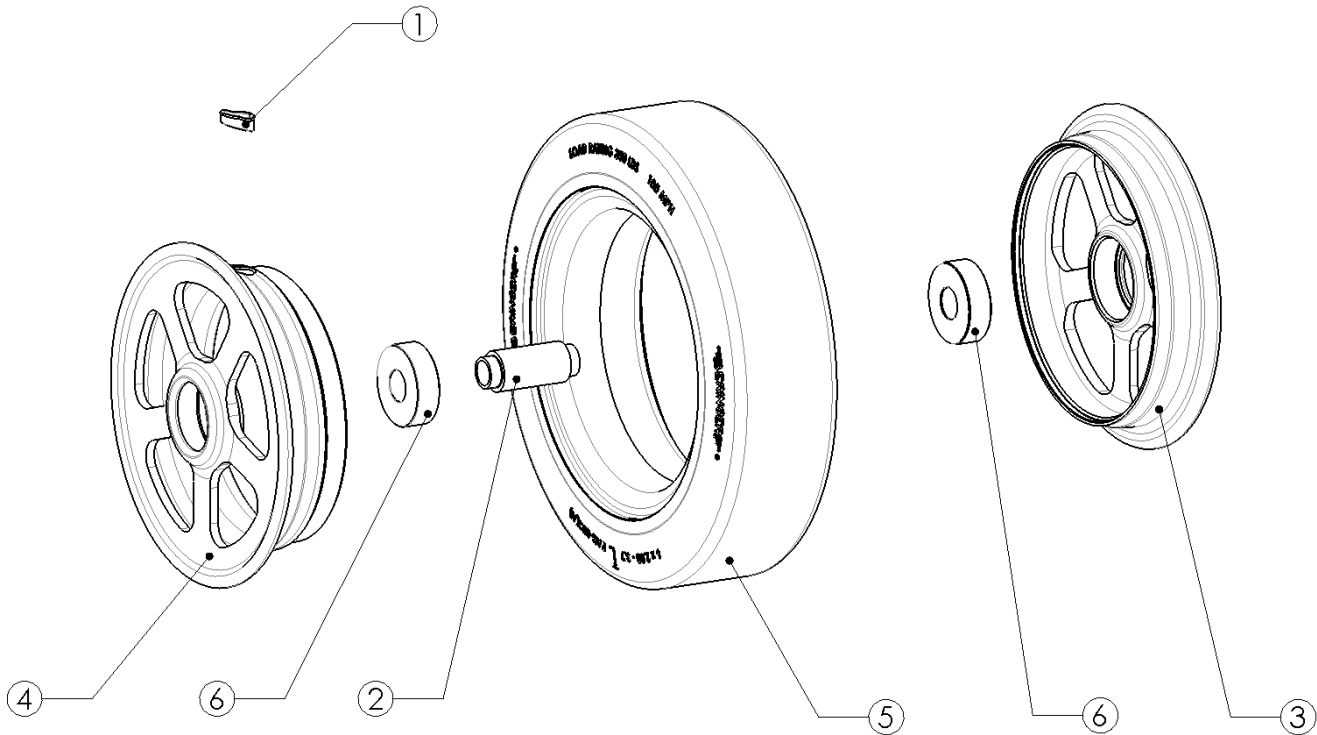
5	B-BE-011	D26_Bearing/Roulement	2
4	BGE-008.2	Wheel 200x50_Spacer / Entretoise	2
3	BGE-008.1	Wheel 200x50_Sleeve / Entretoise	1
2	JAI-014	Wheel 200x50_Inner wheel half / Jante Int	1
1	JAE-010	Wheel 200x50_Outer Wheel Half / Jante Ext	1
REP	PART NUMBER	DESCRIPTION	QTY

9.7 RA-004.1*



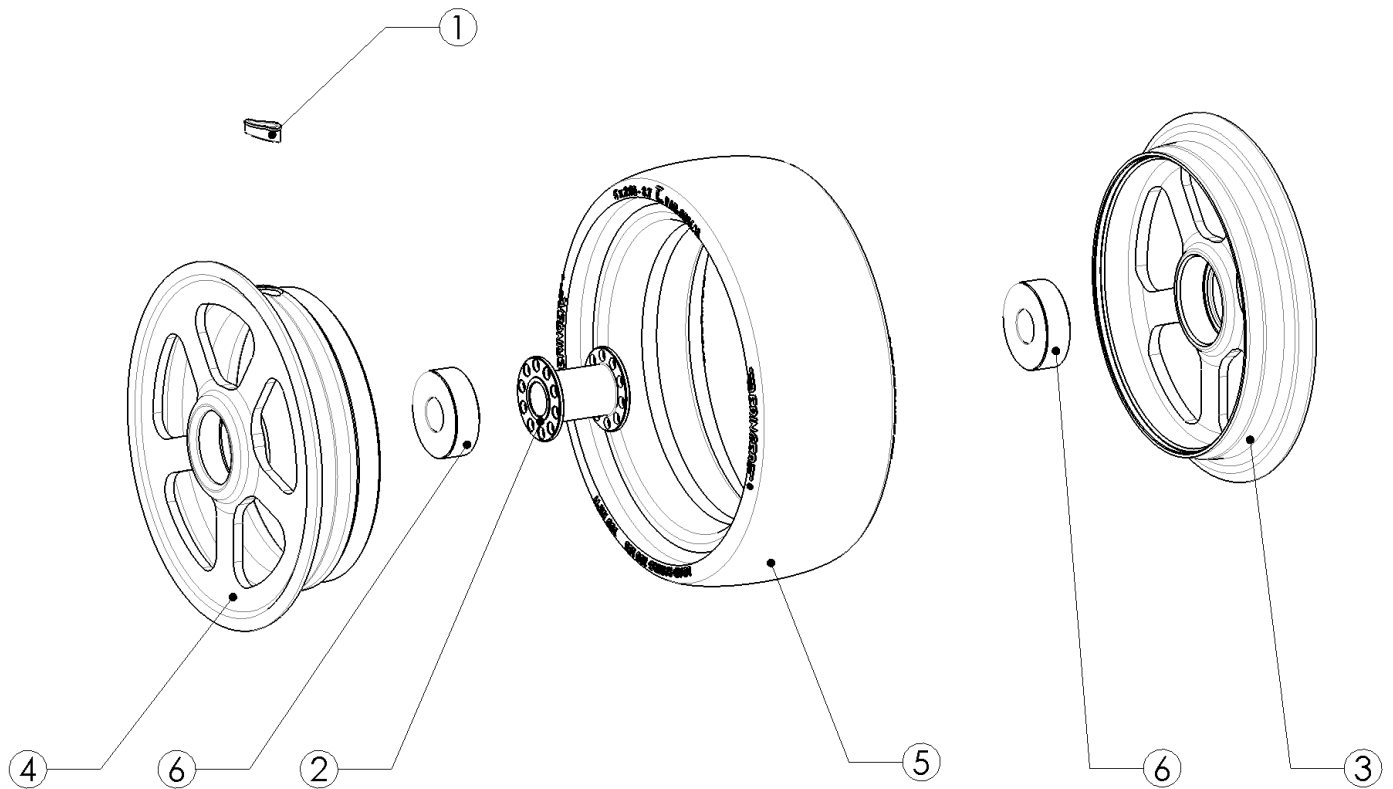
6	B-BE-011	D26_Bearing/Roulement	2
5	PAR-002	6x2.00-3.7_TIRE/PNEU	1
4	JAI-014	Wheel 200x50_Inner wheel half / Jante Int	1
3	JAE-010	Wheel 200x50_Outer Wheel Half / Jante Ext	1
2	BGE-008.4	Wheel 200x50_Sleeve / Entretoise	1
1	BCH-008	200x50_Wheel Cap / Bouchon de Roue	1
REP	PART NUMBER	DESCRIPTION	QTY

9.8 RA-004.2*

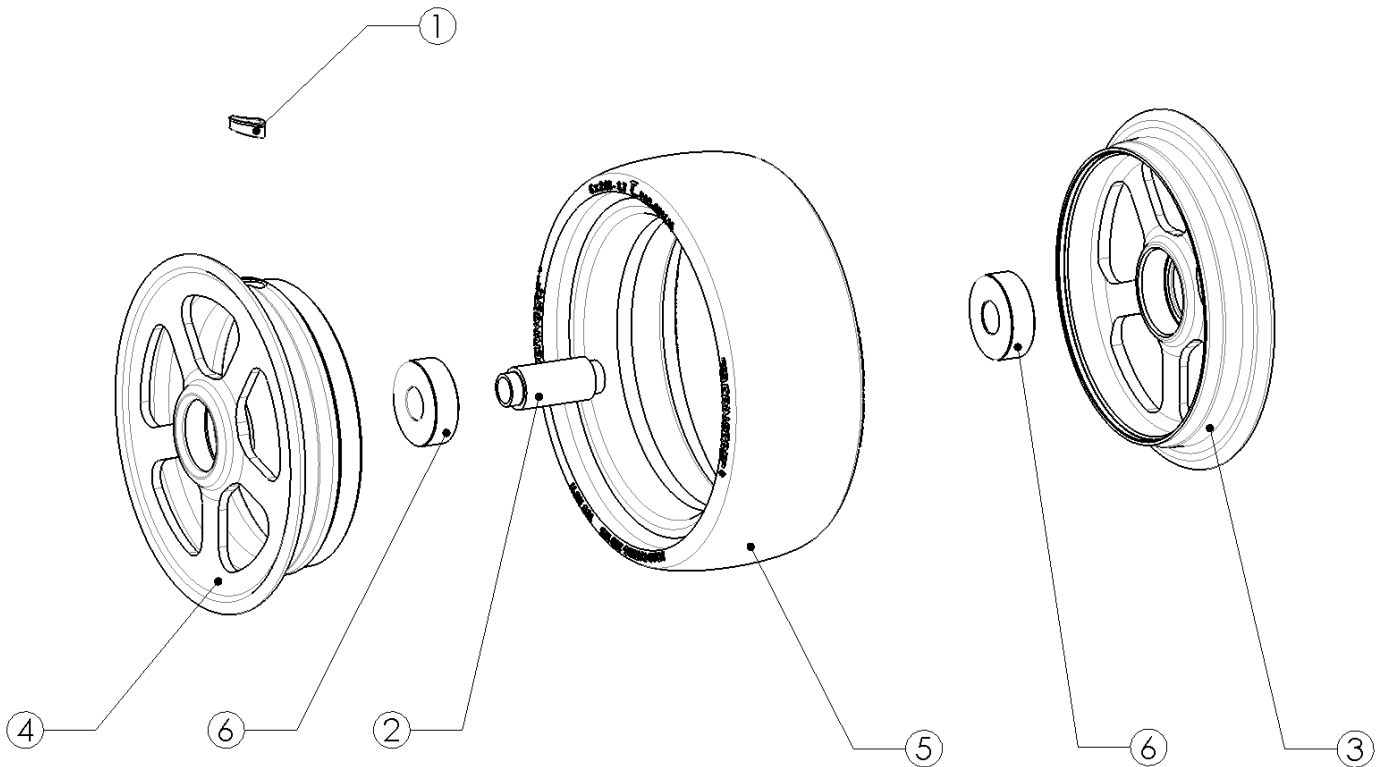


6	B-BE-011	D26_Bearing/Roulement	2
5	PAR-002	6x2.00-3.7_TIRE/PNEU	1
4	JAI-014	Wheel 200x50_Inner wheel half / Jante Int	1
3	JAE-010	Wheel 200x50_Outer Wheel Half / Jante Ext	1
2	BGE-008.1	Wheel 200x50_Sleeve / Entretoise	1
1	BCH-008	200x50_Wheel Cap / Bouchon de Roue	1
REP	PART NUMBER	DESCRIPTION	QTY

9.9 RA-004.11*

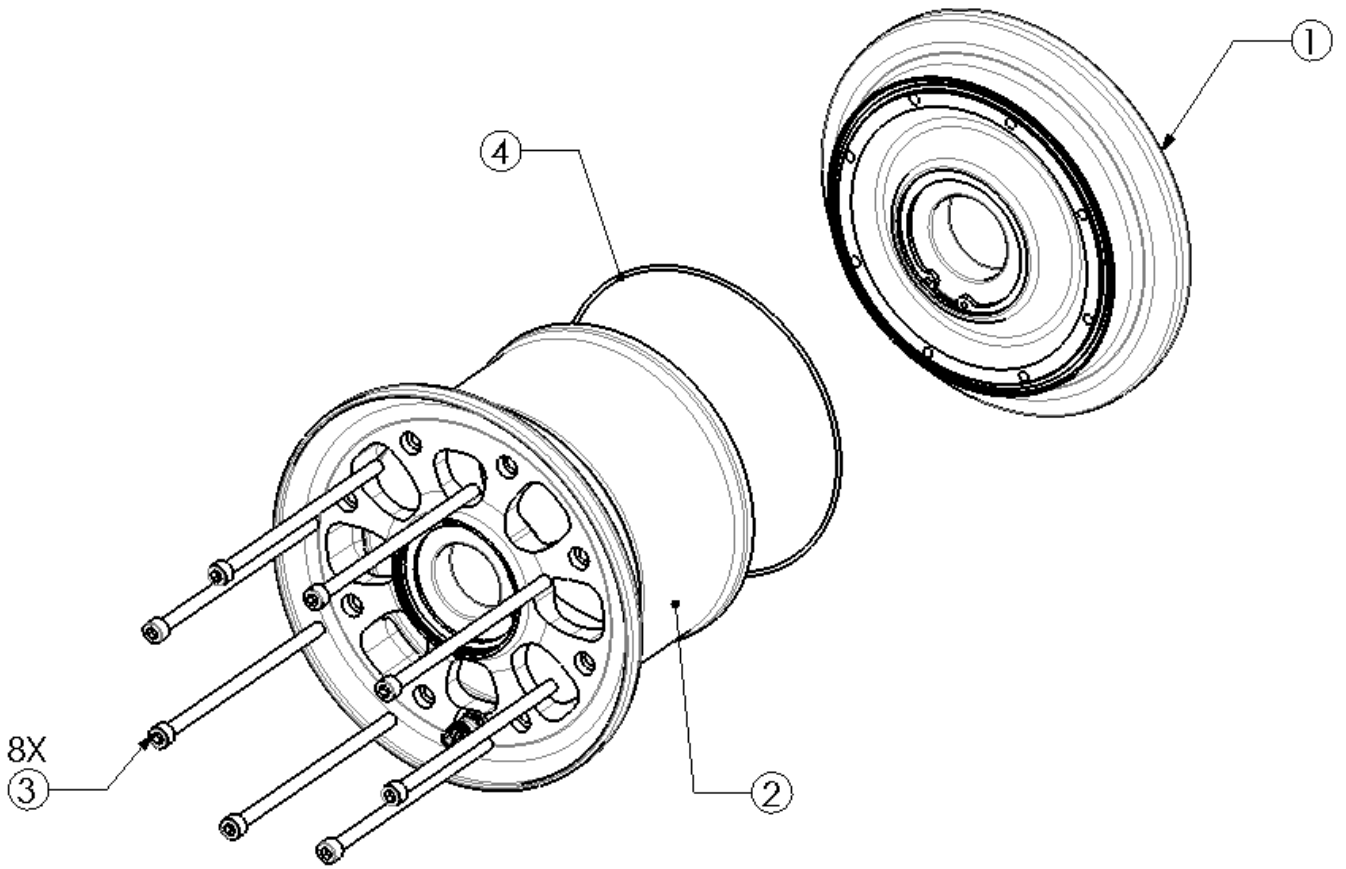


6	B-BE-011	D26_Bearing/Roulement	2
5	PAR-001	5 X 2.00 – 3.7 TYRE/PNEU	1
4	JAI-014	Wheel 200x50_Inner wheel half / Jante Int	1
3	JAE-010	Wheel 200x50_Outer Wheel Half / Jante Ext	1
2	BGE-008.4	Wheel 200x50_Sleeve / Entretoise	1
1	BCH-008	200x50_Wheel Cap / Bouchon de Roue	1
REP	PART NUMBER	DESCRIPTION	QTY

9.10 RA-004.12*


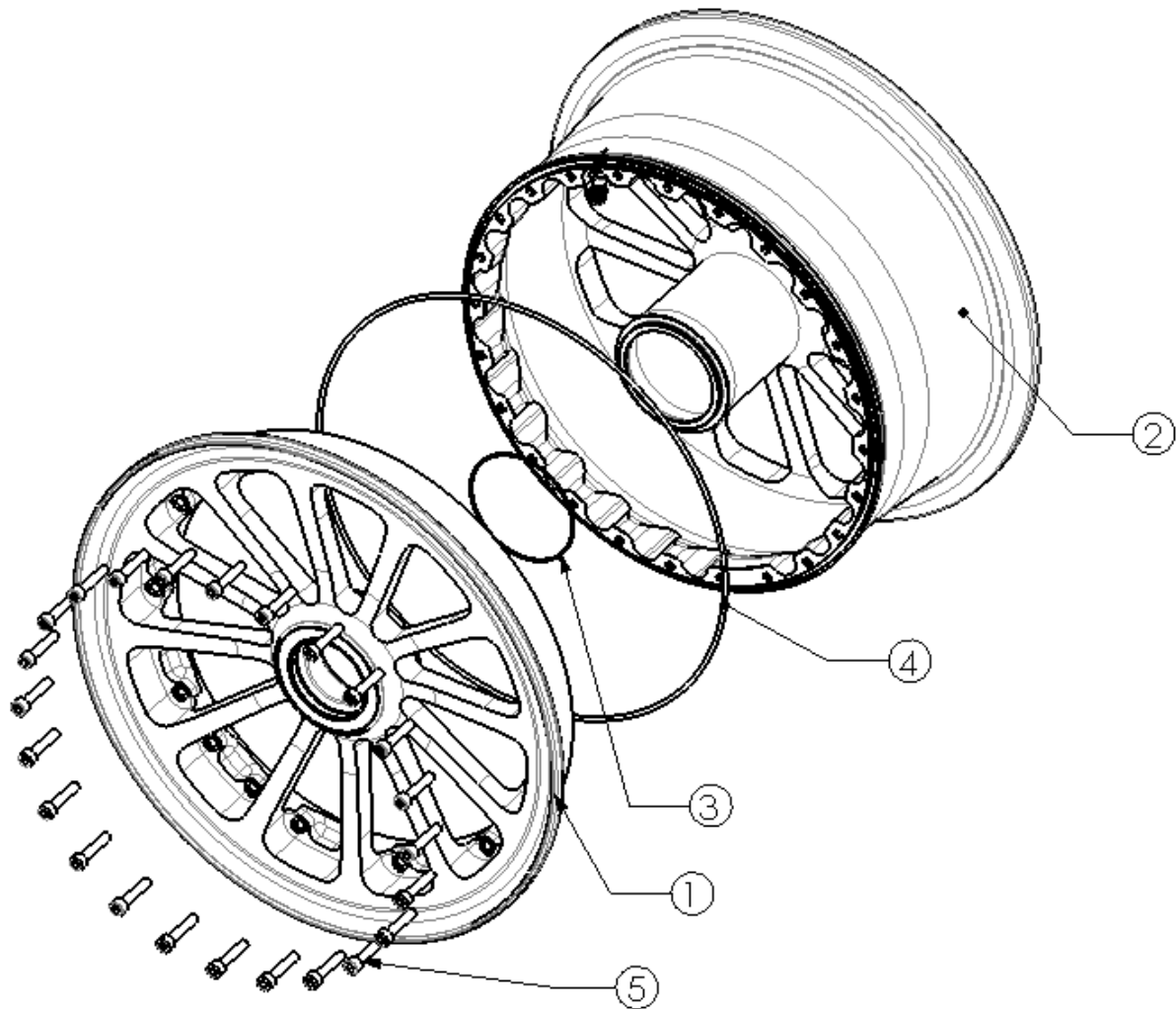
6	B-BE-011	D26_Bearing/Roulement	2
5	PAR-001	5 X 2.00 – 3.7 TYRE/PNEU	1
4	JAI-014	Wheel 200x50_Inner wheel half / <i>Jante Int</i>	1
3	JAE-010	Wheel 200x50_Outer Wheel Half / <i>Jante Ext</i>	1
2	BGE-008.1	Wheel 200x50_Sleeve / <i>Entretoise</i>	1
1	BCH-008	200x50_Wheel Cap / <i>Bouchon de Roue</i>	1
REP	PART NUMBER	DESCRIPTION	QTY

9.11 RA-005



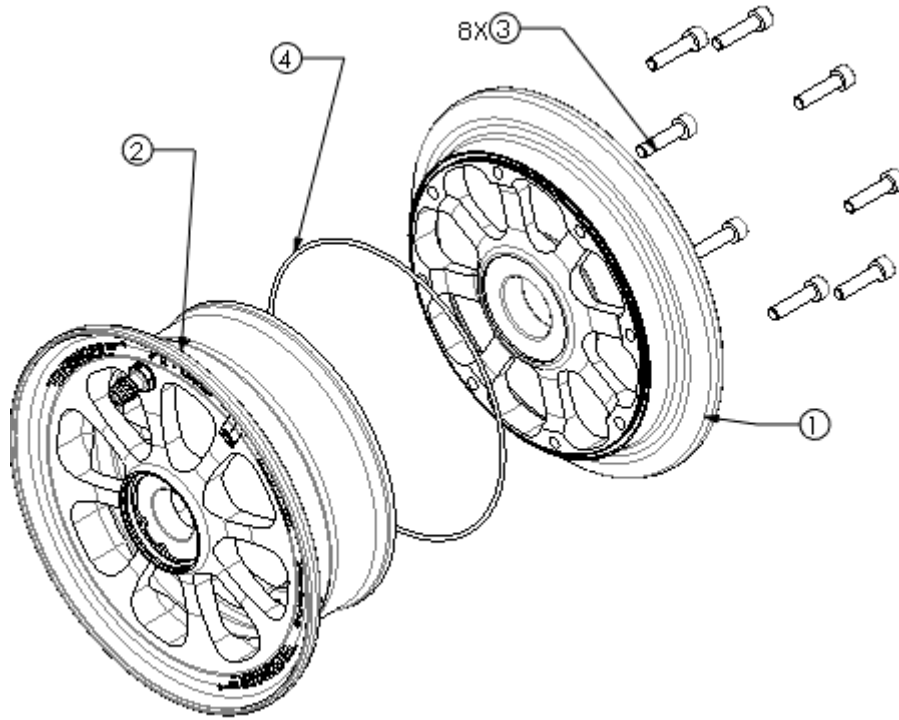
4	J-JTR-007N	6" _O-Ring	1
3	V-CHC-004	M6x120_Screw/Vis Chc	8
2	JE-015	6.00x6" HE_Outer Wheel Assy./Assemblage Jante Ext	1
1	JI-015	6.00x6" HE_Inner Wheel Assy/ Assemblage Jante Int	1
REP	PART NUMBER	DESCRIPTION	QTY

9.12 RA-008



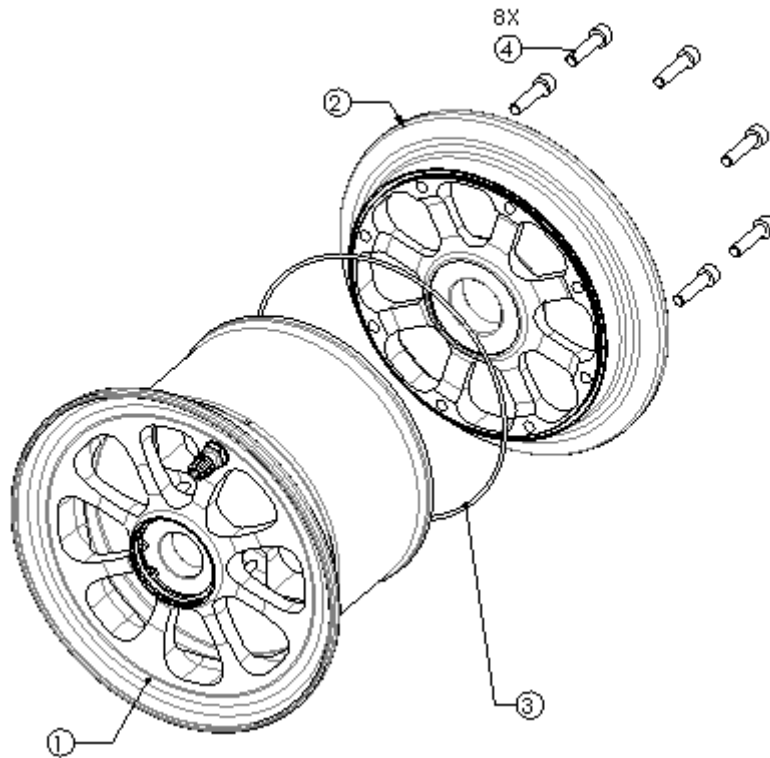
5	V-CHC-009	M6x30 (Q12.9)_Screw/ Vis	24
4	J-JTR-016N	290x3 O-Ring	1
3	J-JTR-009N	BCH-001_O-Ring /Joint torique	1
2	JI-019	8.90x12.5" _Inner Wheel Assy / Assemblage Jante Int	1
1	JE-014	8.90x12.5" _Outer Wheel Assy / Assemblage Jante Ext	1
REP	PART NUMBER	DESCRIPTION	QTY

9.13 RA-009

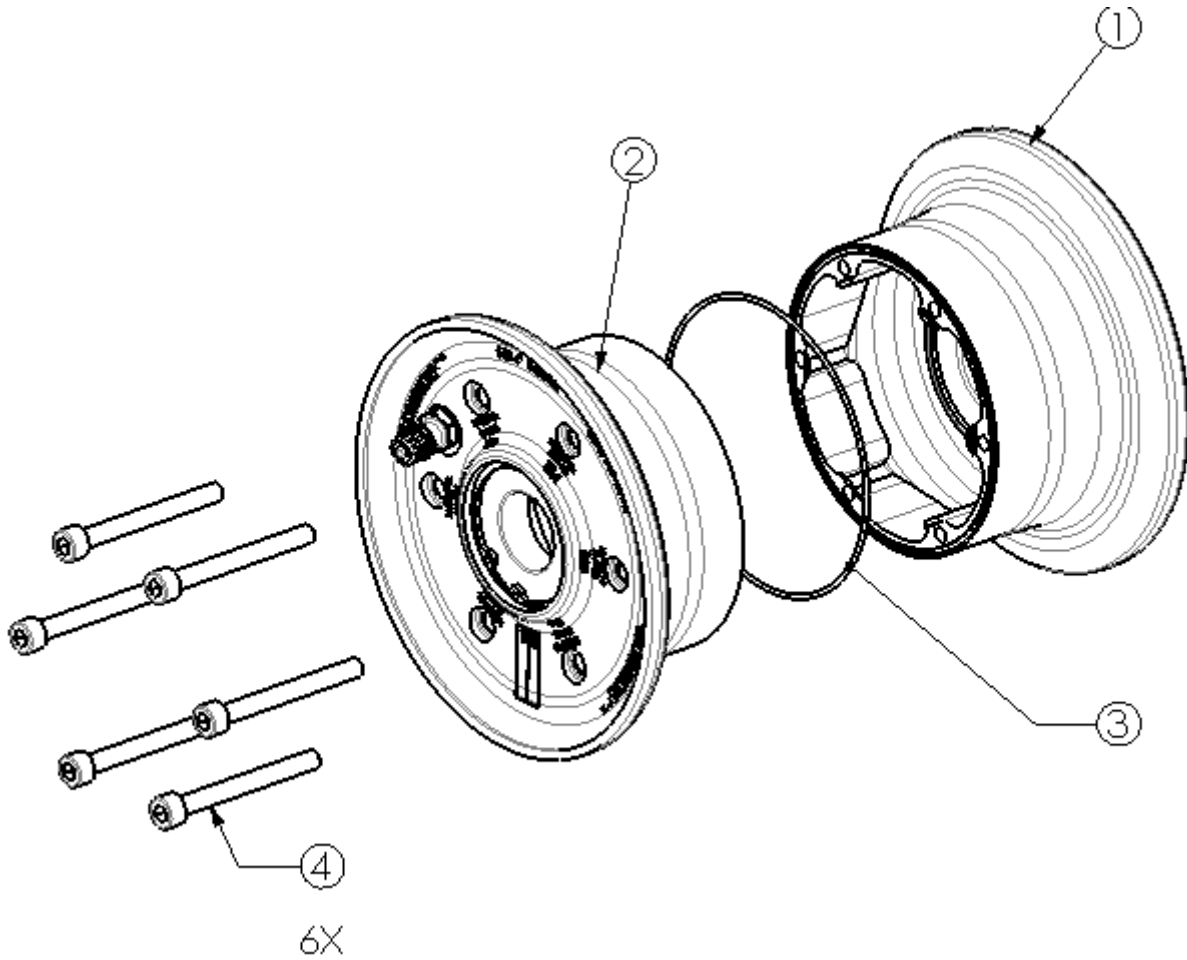


4	J-JTR-007N	6 " _O-Ring	1
3	V-CHC-008	M6-25 (Q12.9)_Screw / Vis	8
2	JE-016	4.00x6" SL Outer Wheel Assy./Assemblage Jante Ext	1
1	JI-021	4.00x6" SL_Inner Wheel Assy / Assemblage Jante Int	1
REP	PART NUMBER	DESCRIPTION	QTY

9.14 RA-010

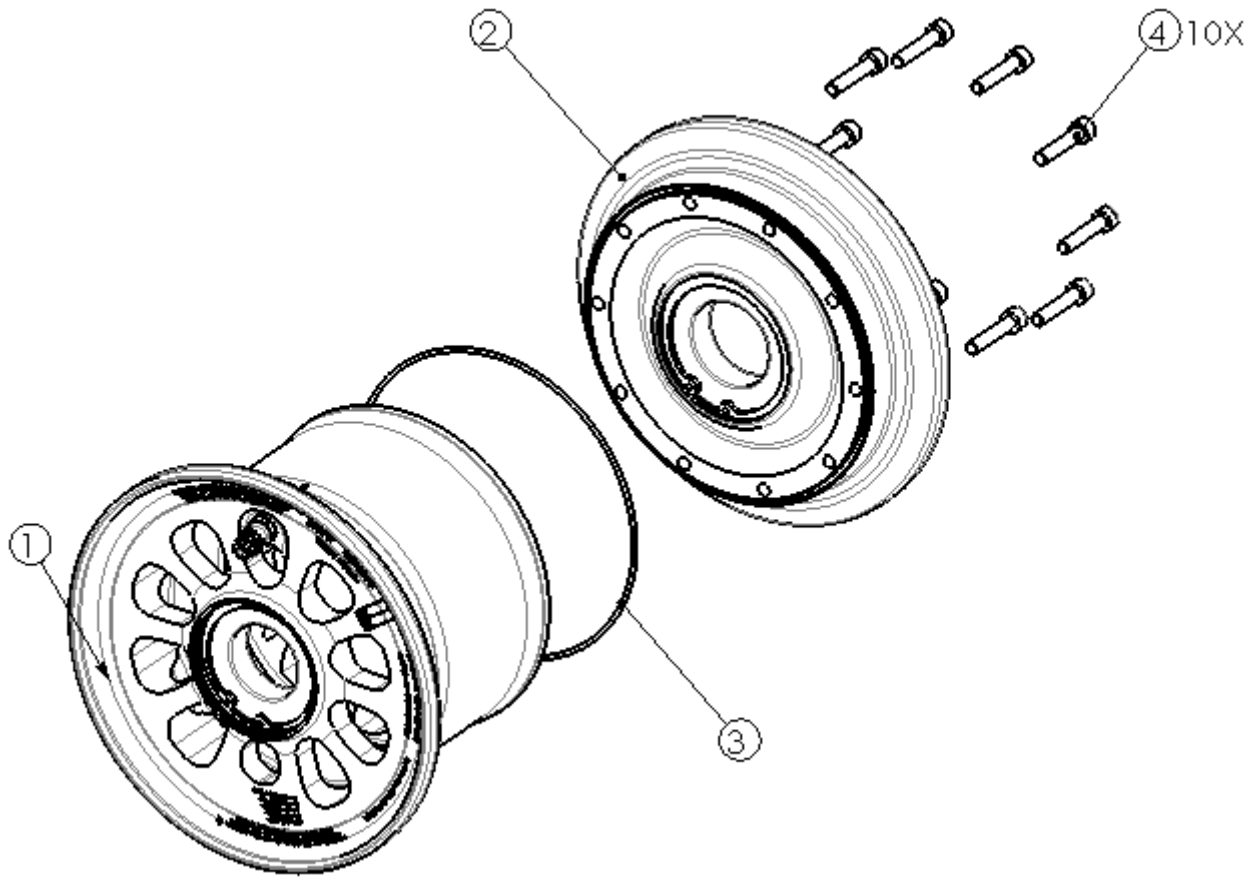


4	V-CHC-008	M6-25 (Q12.9)_Screw / Vis	8
3	J-JTR-007N	6''_O-Ring	1
2	JI-021	4.00x6''SL_Inner Wheel Assy / Assemblage Jante Int	1
1	JE-017	Wheel 6.00x6'' SL_Inner Wheel Assy / Assemblage Jante	1
REP	PART NUMBER	DESCRIPTION	QTY

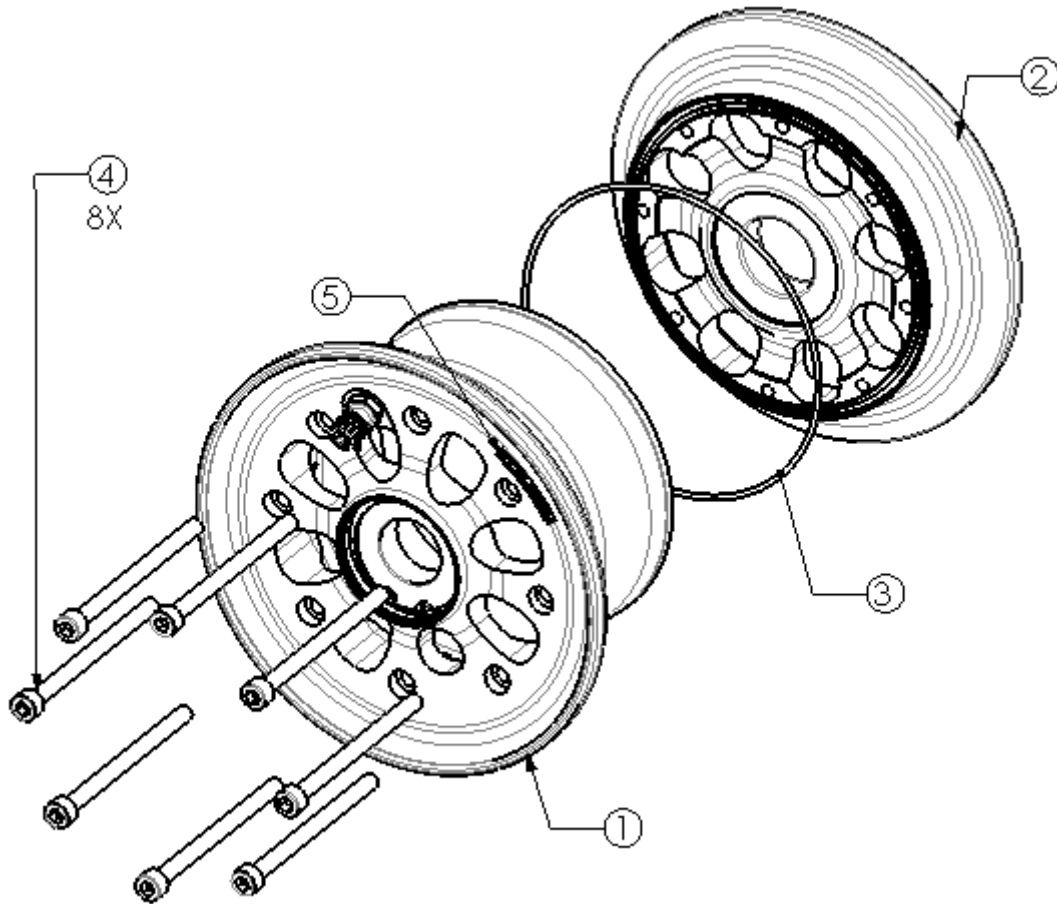
9.15 RA-012


4	V-CHC-001	M6-55(Q12.9)_Screw/ Vis	6
3	J-JTR-027N	5.00x4''_O-Ring/ Joint torique	1
2	JE-036	5.00x4'' (Ø25)_Outer Wheel Assy / Assemblage Jante Ext	1
1	JI-038	5.00x4''(Ø30)_Inner Wheel Assy/ Assemblage Jante Int	1
REP	PART NUMBER	DESCRIPTION	QTY

9.16 RA-013

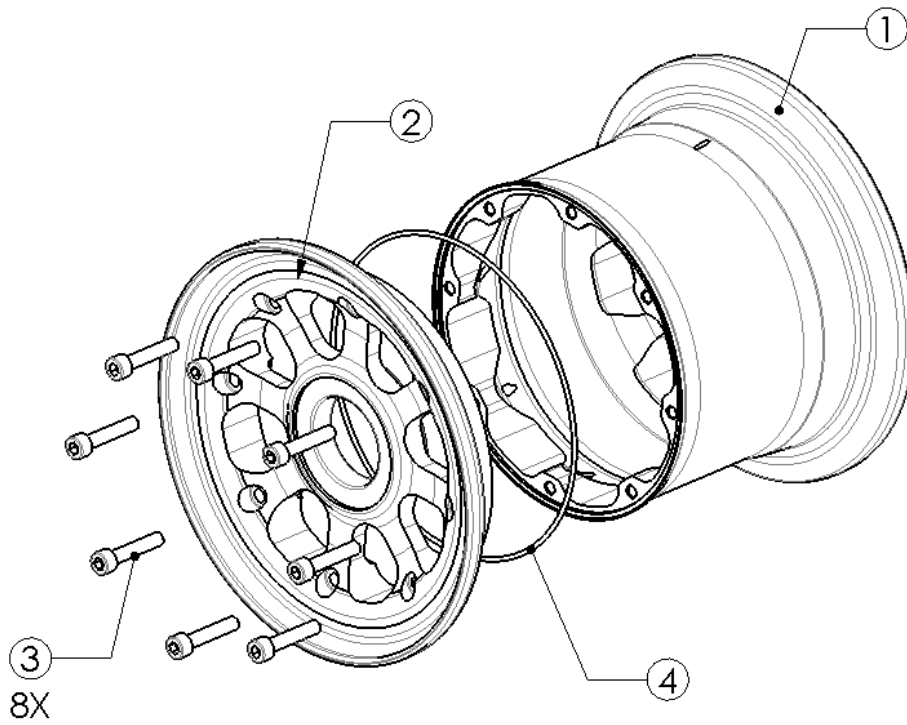


4	V-CHC-009	M6x30 (Q12.9)_Screw/ Vis	10
3	J-JTR-007N	6''_O-Ring	1
2	JI-027.1	6.00x6'' HL_ Inner Wheel Assy/ Assemblage Jante Int	1
1	JE-025	6.00x6'' HL_ Outer Wheel Assy / Assemblage Jante Ext	1
REP	PART NUMBER	DESCRIPTION	QTY

9.17 RA-014


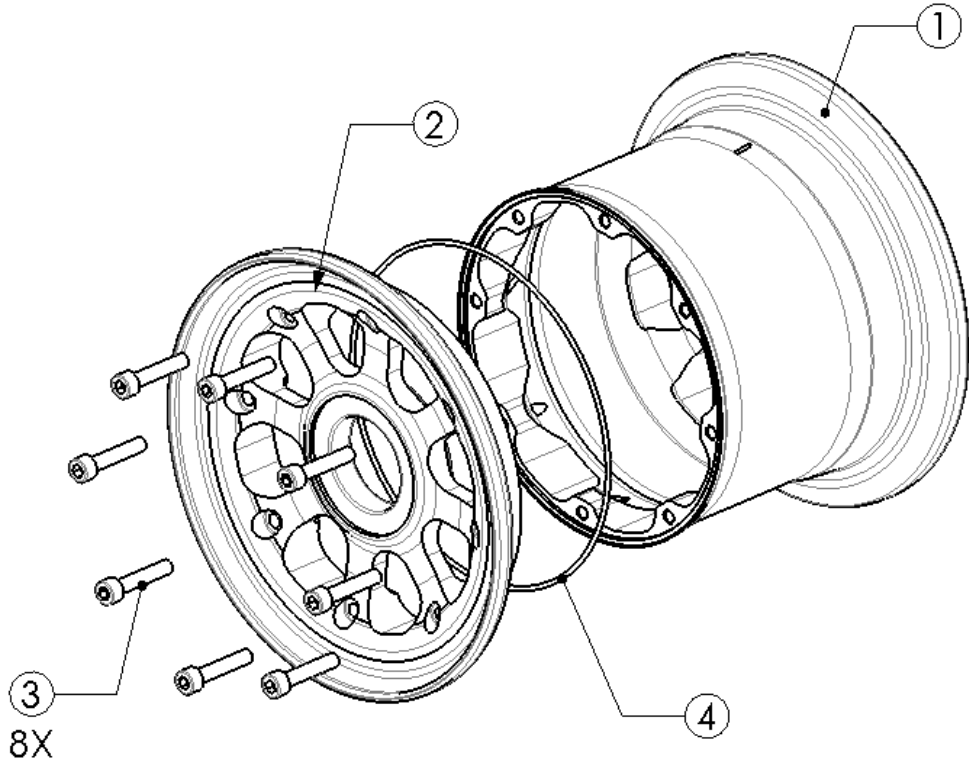
5	ETQ-006.3	Etiquette TSOC26d – ETSOC26c	1
4	V-CHC-020	M6x80_Assy. Screw/Vis	8
3	J-JTR-006N	O-Ring Wheel 5"/ Joint roue 5"	1
2	JI-029	5.00x5" HL (Ø30)_Inner Wheel Assy / Assemblage Jante Int	1
1	JE-026	5.00x5" HL (Ø25)_Outer Wheel Assy / Assemblage Jante Ext	1
REP	PART NUMBER	DESCRIPTION	QTY

9.18 RA-016

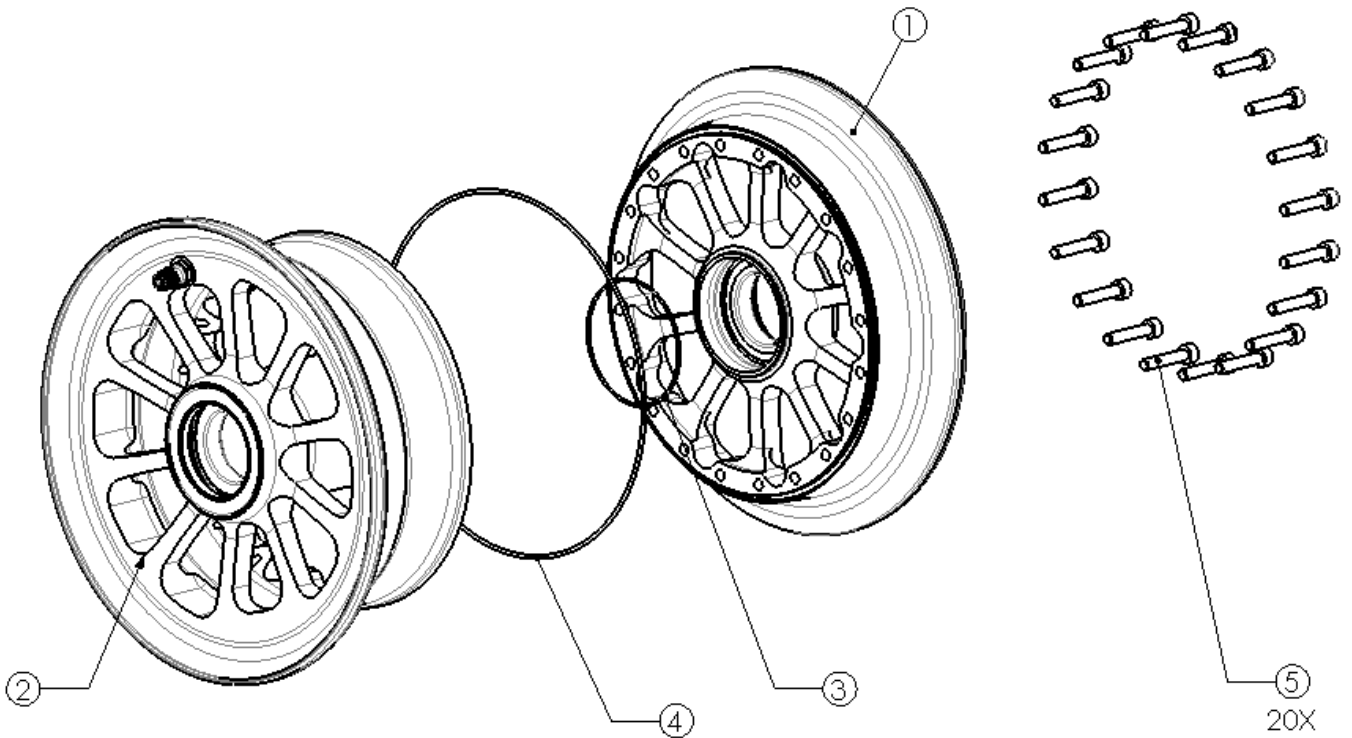


4	J-JTR-007N	6''_O-Ring	1
3	V-CHC-009	M6x30 (Q12.9)_Screw/ Vis	8
2	JI-032	6.00x6'' LE_Inner Wheel assy/ Assemblage Jante Int	1
1	JE-023	6.00x6'' LE_Outer Wheel Assy/ Assemblage Jante Ext	1
REP	PART NUMBER	DESCRIPTION	QTY

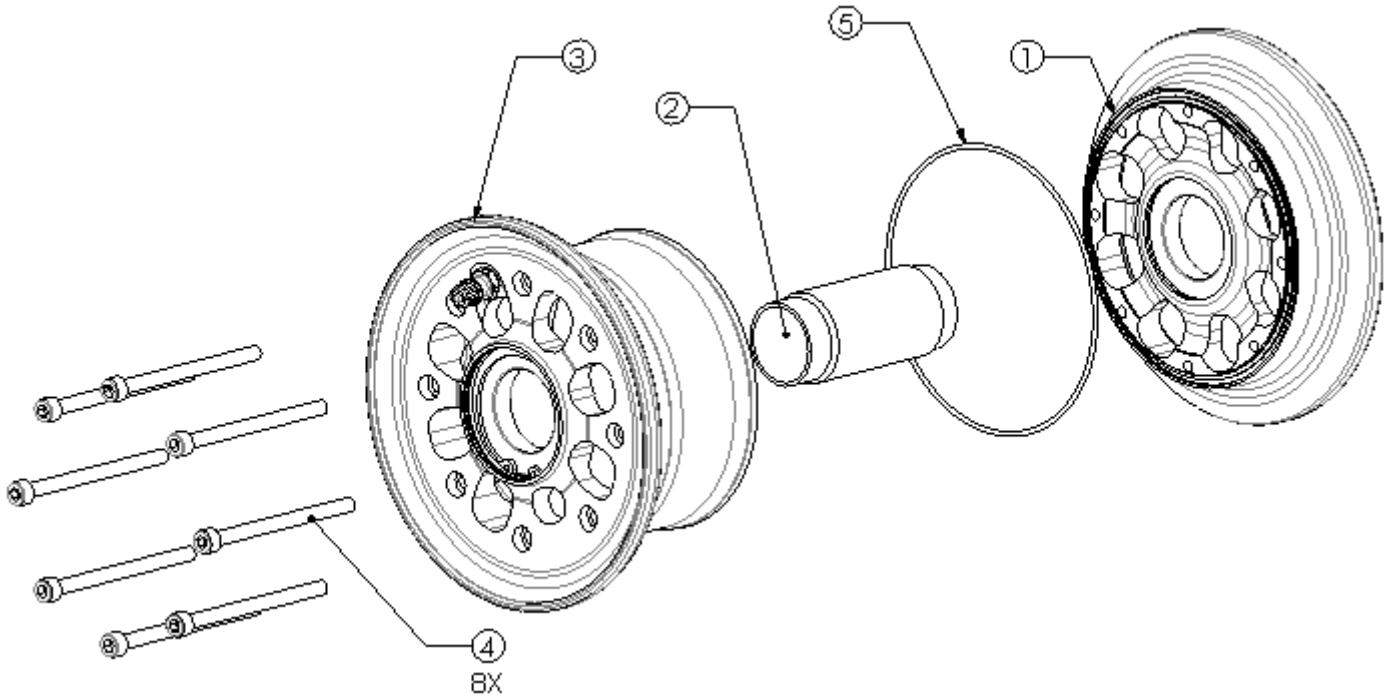
9.19 RA-016.1



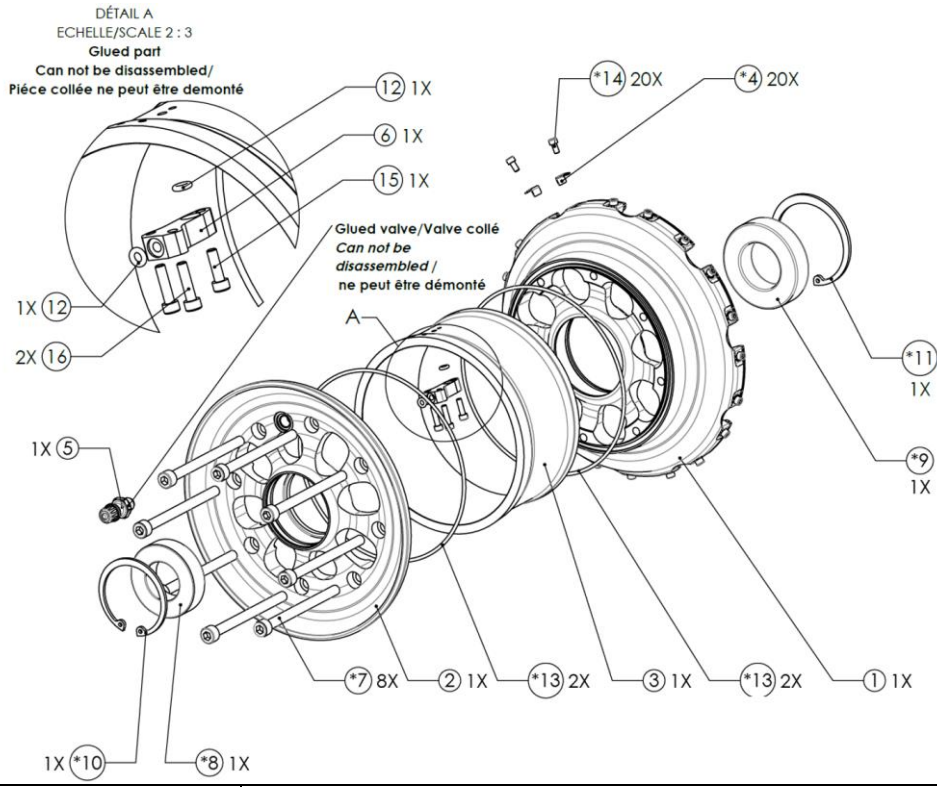
4	J-JTR-007N	6''_O-Ring	1
3	V-CHC-009	M6x30 (Q12.9)_Screw/ Vis	8
2	JI-032	6.00x6'' LE_Inner Wheel assy/ Assemblage Jante Int	1
1	JE-023.1	6.00x6'' LE (Ø35)_Outer Wheel Assy (Low-profile Bearing)	1
REP	PART NUMBER	DESCRIPTION	QTY

9.20 RA-017


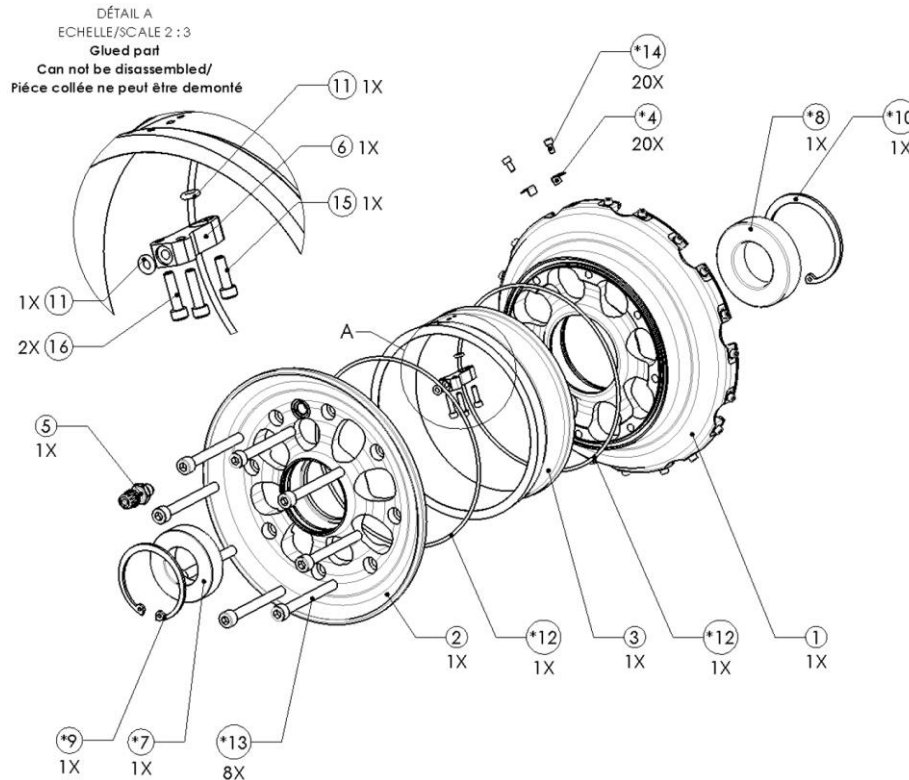
5	V-CHC-009	M6x30 (Q12.9)_Screw/ Vis	20
4	J-JTR-024N	18x5.5_O-Ring/ Joint Torique Ext	1
3	J-JTR-023N	BH-001_O-Ring/ Joint Torique	1
2	JE-021.2	18x5.5_Outer Wheel Assy/Assemblage Jante Ext	1
1	JI-022.3	18x5.5_Inner Wheel Assy/Assemblage Jante Int	1
REP	PART NUMBER	DESCRIPTION	QTY

9.21 RA-018


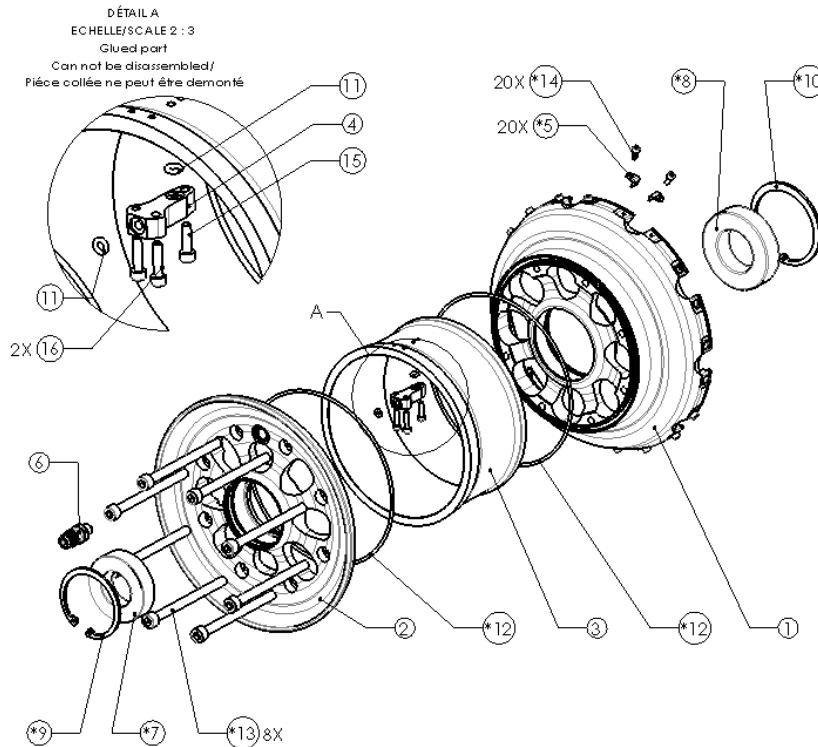
5	J-JTR-006N	O-Ring Wheel 5"/ Joint roue 5"	1
4	V-CHC-020	M6x80_Assy. Screw/Vis	8
3	JE-028	5.00x5" HL (35)_Main Wheel Assy./Roue freinée	1
2	AV-VANS-003	∅35-∅31.75_ Sleeve / Entretoise	1
1	JI-029.1	"5.00x5HL"(∅35)_Inner Wheel Assy / Assemblage Jante	1
REP	PART NUMBER	DESCRIPTION	QTY

9.22 JA-01*


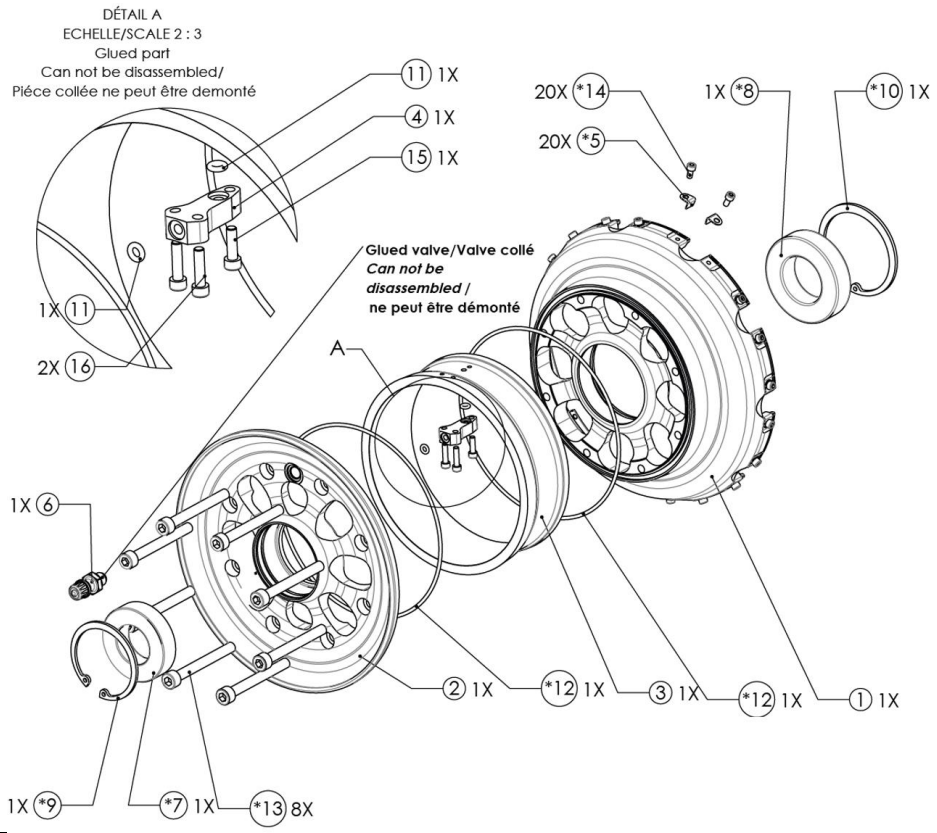
16	V-CHC-007	M3x12_Screw/Vis Chc	2
15	V-CHC-006	M3x10_Screw/Vis Chc	1
14	V-CHC-005	Clip Screw / Vis Clip	20
13	J-JTR-006N	O-Ring Wheel 5"/ Joint roue 5"	2
12	J-JTR-005N	Connector O-Ring	2
11	C-AL-002	Circlip D55	1
10	C-AL-001	Circlip	1
9	B-BE-002	Bearing	1
8	B-BE-001	Bearing	1
7	V-CHC-003	M6x75_Assy. Screw/Vis Chc	8
6	CNT-001	Connector Tubless	1
5	A-001	Valve	1
4	CLP-002	Clip	20
3	ENT-002	5.00x5" Std_Spacer / Entretoise	1
2	JAE-003	5"Std_Outer wheel half/ Jante Ext	1
1	JAI-002	5"Std_Inner wheel half/ Jante Int	1
REP	PART NUMBER	DESCRIPTION	QTY.

9.23 JA-02*


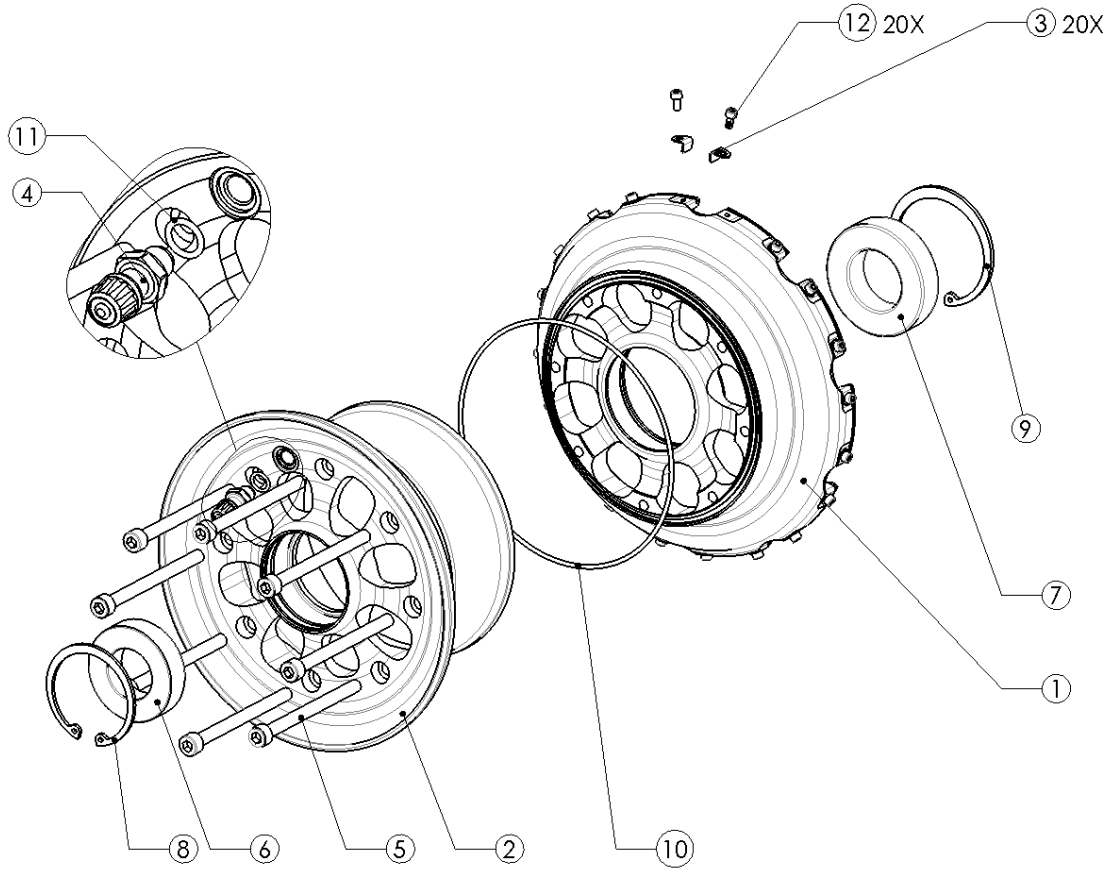
16	V-CHC-007	M3x12_Screw/Vis Chc	2
15	V-CHC-006	M3x10_Screw/Vis Chc	1
*14	V-CHC-005	Clip Screw / Vis Clip	20
*13	V-CHC-001	M6-55_Screw/Vis	8
*12	J-JTR-006N	O-Ring Wheel 5"/ Joint roue 5"	2
11	J-JTR-005N	Connector O-Ring	2
*10	C-AL-002	Circlip D55	1
*9	C-AL-001	Circlip D47	1
*8	B-BE-002	D55_Bearing/Roulement	1
*7	B-BE-001	D47_Bearing/Roulement	1
6	CNT-001	Connector Tubless	1
5	A-001	Valve	1
*4	CLP-002	Clip	20
3	ENT-003	4.00x5" Std_Spacer / Entretoise	1
2	JAE-003	5"Std_Outer wheel half/ Jante Ext	1
1	JAI-002	5"Std_Inner wheel half/ Jante Int	1
REP	PART NUMBER	DESCRIPTION	QTY.

9.24 JA-51-HE1* and JA-51-HE2*


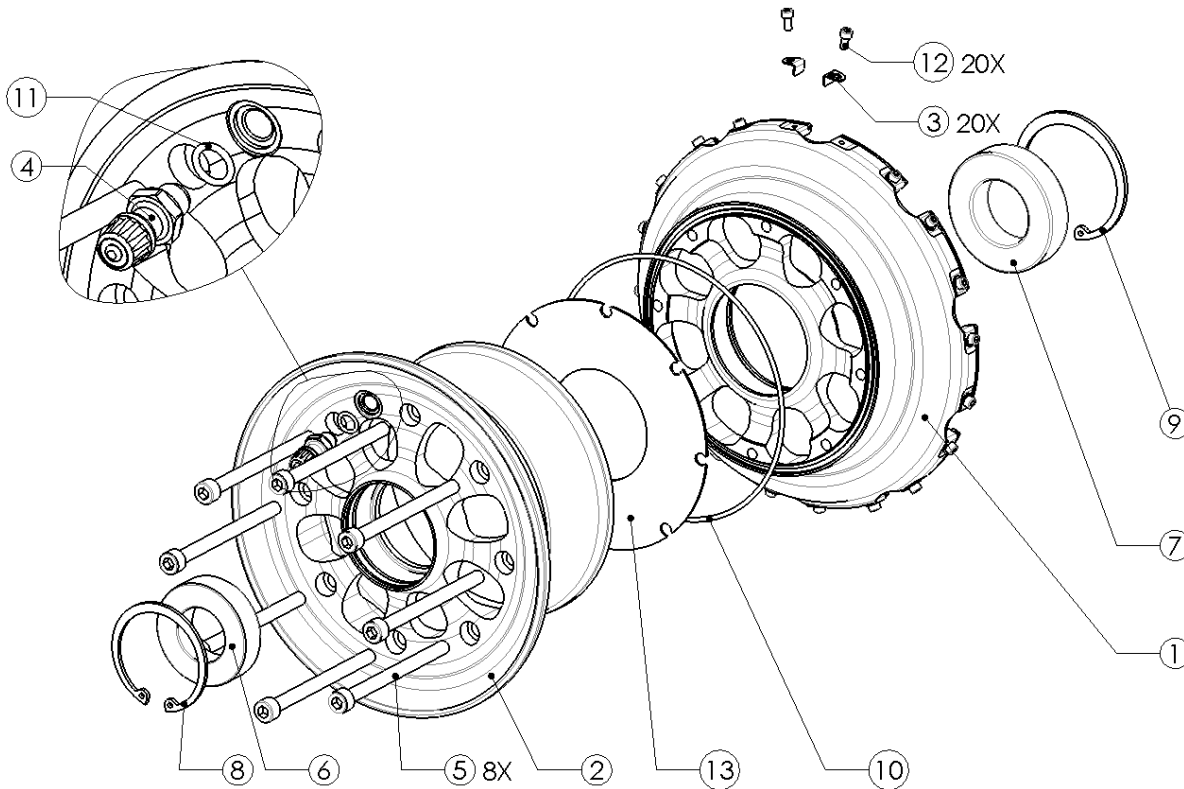
16	V-CHC-007	M3x12_Screw/Vis Chc	2
15	V-CHC-006	M3x10_Screw/Vis Chc	1
14	V-CHC-005	M3-6(A4)_Clip Screw / Vis Clip	20
13	V-CHC-003	M6x75 (Q12.9)_Screw/Vis Chc	8
12	J-JTR-006N	O-Ring Wheel 5"/ Joint roue 5"	2
11	J-JTR-005N	Connector O-Ring	2
10	C-AL-002	Circlip D55	1
9	C-AL-001	Circlip D47	1
8	B-BE-002	D55_Bearing/Roulement	1
7	B-BE-001	D47_Bearing/Roulement	1
6	A-001	Valve	1
5	CLP-002	Clip	20
4	CNT-001	Connector Tubless	1
3	ENT-002	5.00x5" Std_Spacer / Entretoise	1
2	JAE-003	5"Std_Outer wheel half/ Jante Ext	1
1	JAI-011	5"HE_Inner wheel half/ Jante Int	1
REP	PART NUMBER	DESCRIPTION	QTY

9.25 JA-52-HE1* and JA-52-HE2*


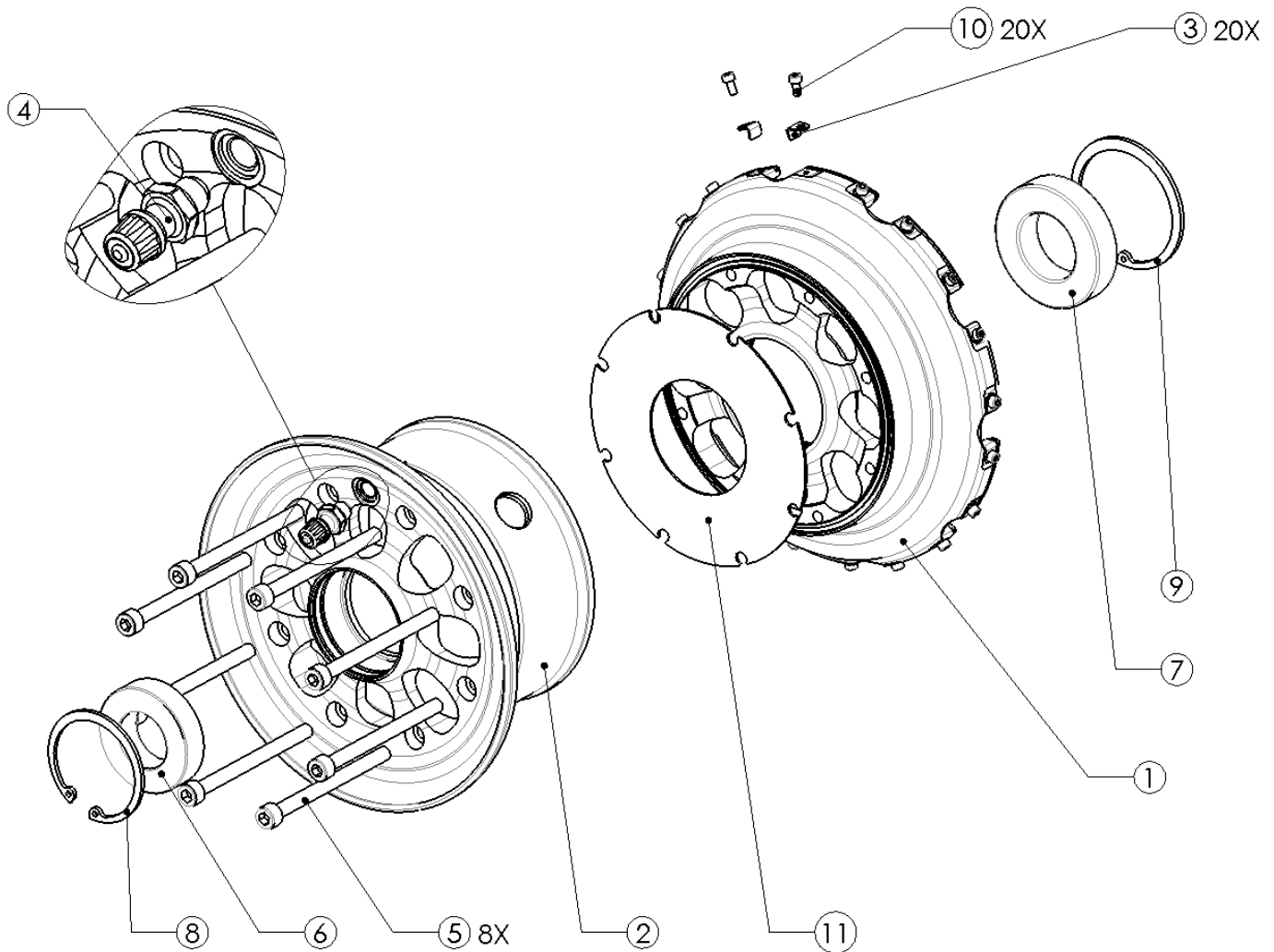
16	V-CHC-007	M3x12_Screw/Vis Chc	2
15	V-CHC-006	M3x10_Screw/Vis Chc	1
*14	V-CHC-005	M3-6(A4)_Clip Screw / Vis Clip	20
*13	V-CHC-001	M6-55(Q12.9)_Screw/ Vis	8
*12	J-JTR-006N	O-Ring Wheel 5" / Joint roue 5"	2
11	J-JTR-005N	Connector O-Ring	2
*10	C-AL-002	Circlip D55	1
*9	C-AL-001	Circlip D47	1
*8	B-BE-002	D55_Bearing/Roulement	1
*7	B-BE-001	D47_Bearing/Roulement	1
6	A-001	Valve	1
*5	CLP-002(C)	Clip	20
4	CNT-001(A)	Connector Tubless	1
3	ENT-003(A)	4.00x5" Std_Spacer / Entretoise	1
2	JAE-003(A)	5"Std_Outer wheel half/ Jante Ext	1
1	JAI-011(A)	5"HE_Inner wheel half/ Jante Int	1
REP	PART NUMBER	DESCRIPTION	QTY.

9.26 RF-002/RF-002W*


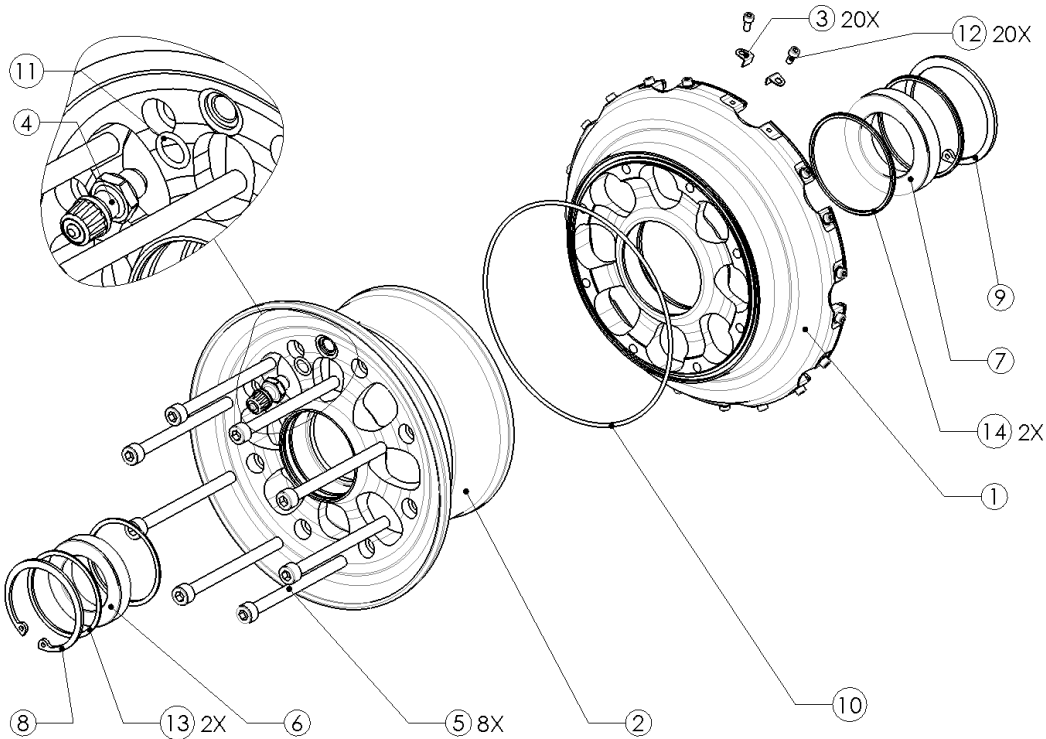
12	V-CHC-005	M3-6(A4)_Clip Screw / Vis Clip	20
11	J-JTR-017N	Valve O-Ring/ Joint Valve	1
10	J-JTR-006N	O-Ring Wheel 5" / Joint roue 5"	1
9	C-AL-002	Circlip D55	1
8	C-AL-001	Circlip D47	1
7	B-BE-002	D55_Bearing/Roulement	1
7	B-BE-002W	D55_Bearing stainless steel/Roulement inox	1
6	B-BE-001	D47_Bearing/Roulement	1
6	B-BE-001W	D47_Bearing stainless steel /Roulement inox	1
5	V-CHC-003	M6x75 (Q12.9)_Screw/Vis Chc	8
4	A-001	Valve	1
3	CLP-002	Clip 4",5"	20
2	JAE-019	5"Std_Outer wheel half/ Jante Ext	1
1	JAI-002	5"Std_Inner Wheel half/ Jante Int	1
REP	PART NUMBER	DESCRIPTION	QTY

9.27 RF-002.1*


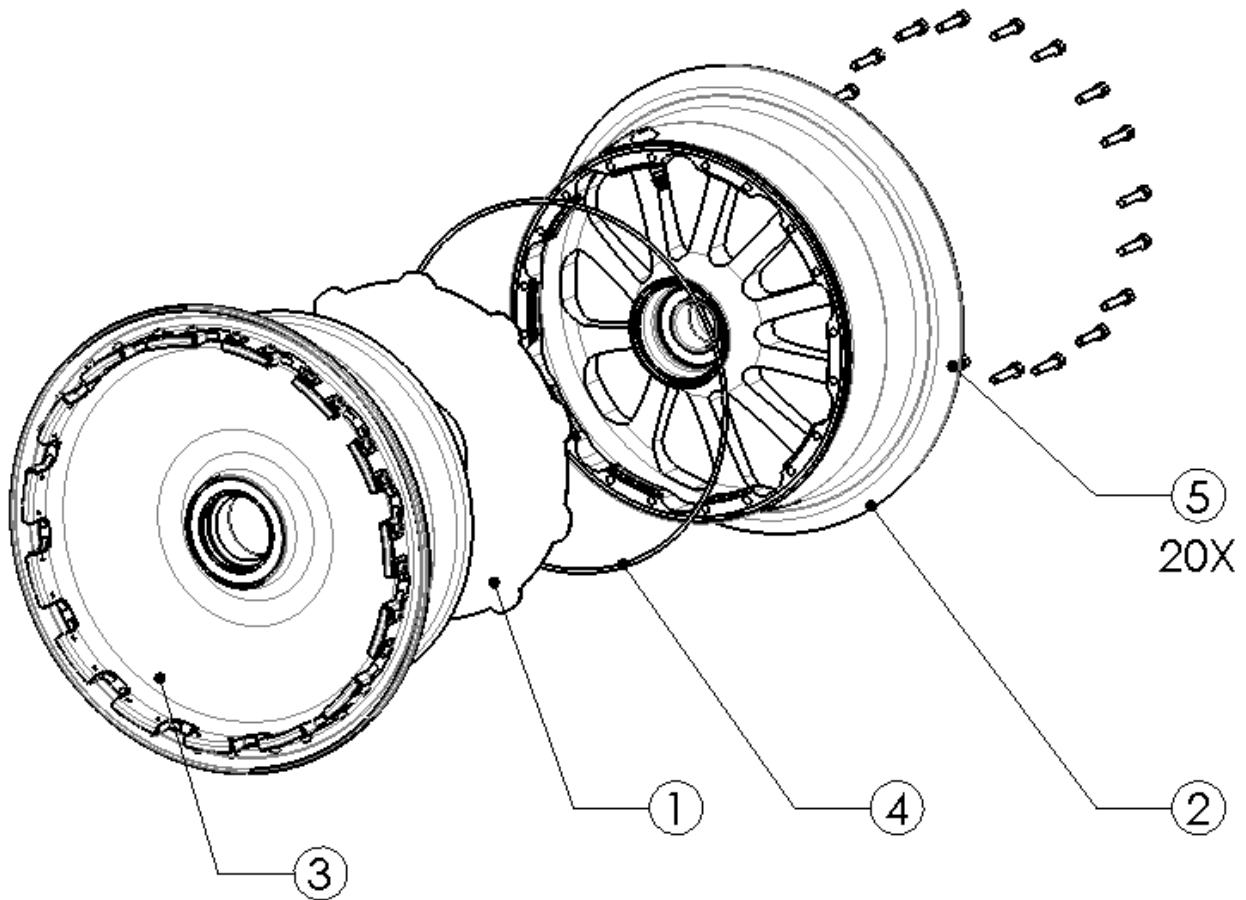
13	CLN-002	5" _Barrier plate/ Cloison	1
12	V-CHC-005	M3-6(A4)_Clip Screw / Vis Clip	20
11	J-JTR-017N	Valve O-Ring/ Joint Valve	1
10	J-JTR-006N	O-Ring Wheel 5" / Joint roue 5"	1
9	C-AL-002	Circlip D55	1
8	C-AL-001	Circlip D47	1
7	B-BE-002	D55_Bearing/Roulement	1
6	B-BE-001	D47_Bearing/Roulement	1
5	V-CHC-003	M6x75 (Q12.9)_Screw/Vis Chc	8
4	A-001	Valve	1
3	CLP-002	Clip 4" ,5"	20
2	JAE-019	5" Std_Outer wheel half/ Jante Ext	1
1	JAI-002	5" Std_Inner Wheel half/ Jante Int	1
REP	PART NUMBER	DESCRIPTION	QTY

9.28 RF-002.2*


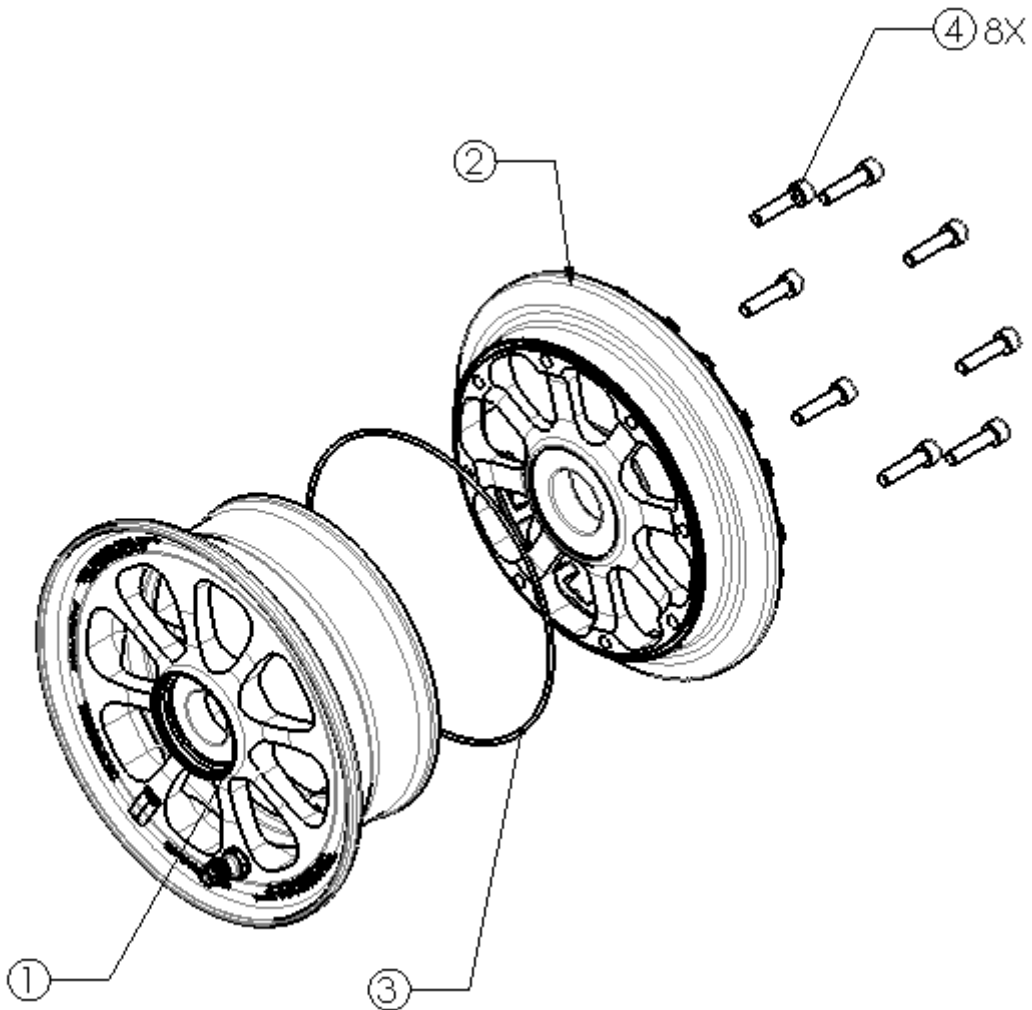
11	CLN-002	5''_Barrier plate/ Cloison	1
10	V-CHC-005	M3-6(A4)_Clip Screw / Vis Clip	20
9	C-AL-002	Circlip D55	1
8	C-AL-001	Circlip D47	1
7	B-BE-002	D55_Bearing/Roulement	1
6	B-BE-001	D47_Bearing/Roulement	1
5	V-CHC-003	M6x75 (Q12.9)_Screw/Vis Chc	8
4	A-001	Valve	1
3	CLP-002	Clip 4'',5''	20
2	JAE-019.2	5'' Std_Outer wheel half	1
1	JAI-002	5''Std_Inner Wheel half/ Jante Int	1
REP	PART NUMBER	DESCRIPTION	QTY

9.29 RF-002.3*


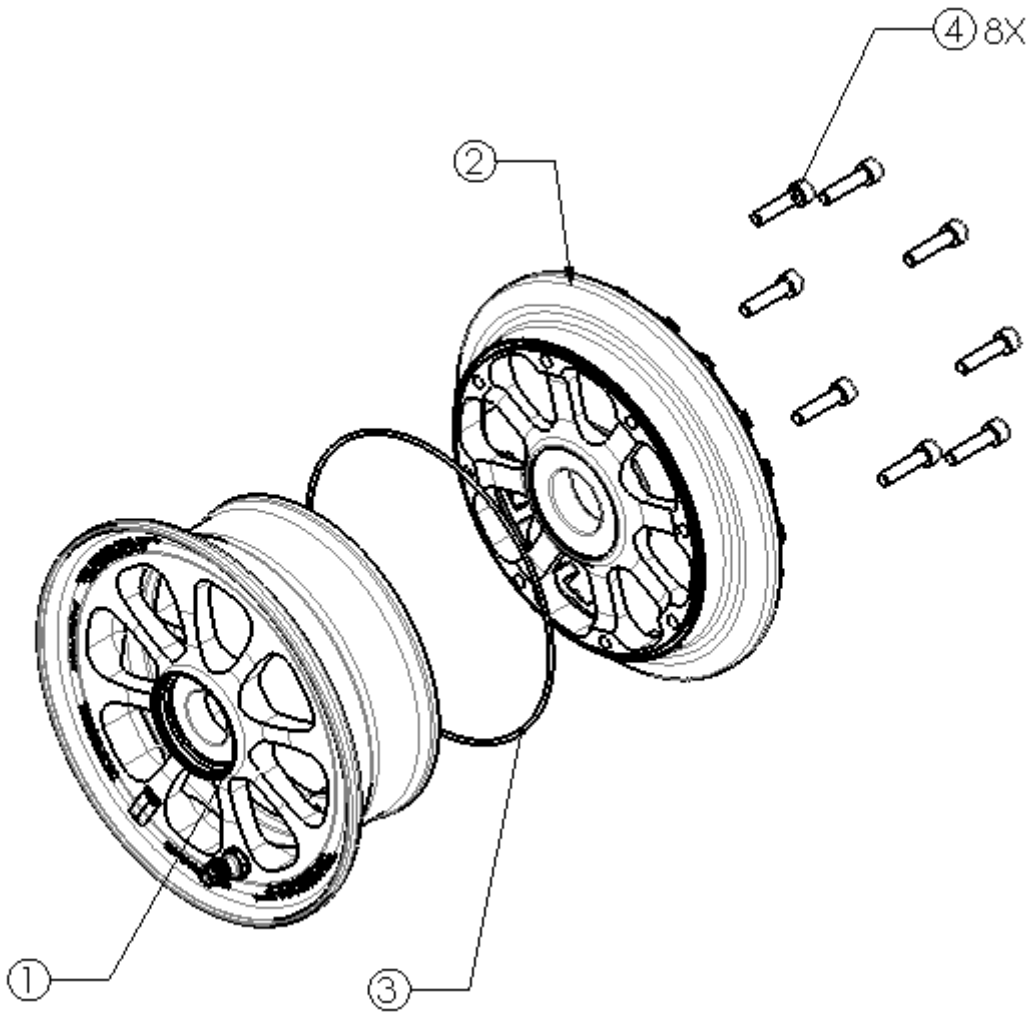
14	BGE-015	Bearing Spacer 55/Entretoise Rlt 55	2
13	BGE-014	Bearing Spacer 47/Entretoise Rlt 47	2
12	V-CHC-005	M3-6(A4)_Clip Screw / Vis Clip	20
11	J-JTR-017N	Valve O-Ring/ Joint Valve	1
10	J-JTR-006N	O-Ring Wheel 5"/ Joint roue 5"	1
9	C-AL-002	Circlip D55	1
8	C-AL-001	Circlip D47	1
7	B-BE-007	Bearing 35-55/Roulement 35-55	1
6	B-BE-012	Bearing 30-47/Roulement 30-47	1
5	V-CHC-003	M6x75 (Q12.9)_Screw/Vis Chc	8
4	A-001	Valve	1
3	CLP-002	Clip	20
2	JAE-019	5"Std_Outer wheel half/ Jante Ext	1
1	JAI-002	5"Std_Inner Wheel half/ Jante Int	1
REP	PART NUMBER	DESCRIPTION	QTY

9.30 RF-003


5	V-CHC-009	M6x30 (Q12.9)_Screw/ Vis	20
4	JNT-007N	11.00x12''_O-Ring/ Joint torique	1
3	JI-004	11.00-12_Inner Wheel Assy / Assemblage Jante Int	1
2	JE-004	11.00-12_Outer Wheel Assy/Assemblage Jante Ext	1
1	CLN-001	11.00x12''_Dust separator/ Cloison	1
REP	PART NUMBER	DESCRIPTION	QTY

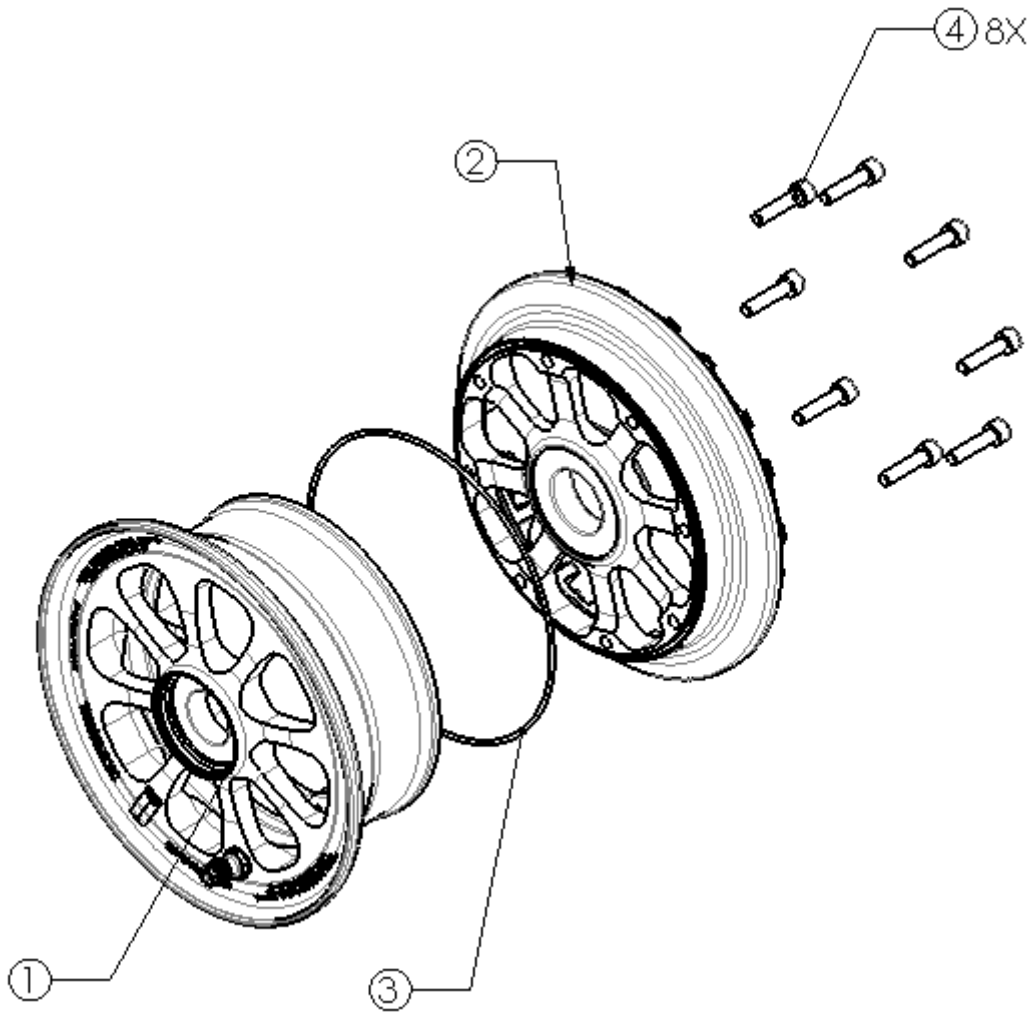
9.31 RF-004/RF-004W


4	V-CHC-008	M6-25 (Q12.9)_Screw / Vis	8
3	J-JTR-007N	6''_O-Ring	1
2	JI-020/ JI-020W	4.00x6''SL Inner Wheel Assy/ Assemblage Jante Int 4.00x6''SL Inner Wheel Assy (Stainless steel bearings)/ Assemblage Jante Int (Rlts Inox)	1
1	JE-016/ JE-016W	4.00x6''SL Outer Wheel Assy./Assemblage Jante Ext 4.00x6''SL Outer Wheel Assy. (Stainless steel bearings)/Assemblage Jante Ext (Rlts Inox)	1
REP	PART NUMBER	DESCRIPTION	QTY

9.32 RF-004.1


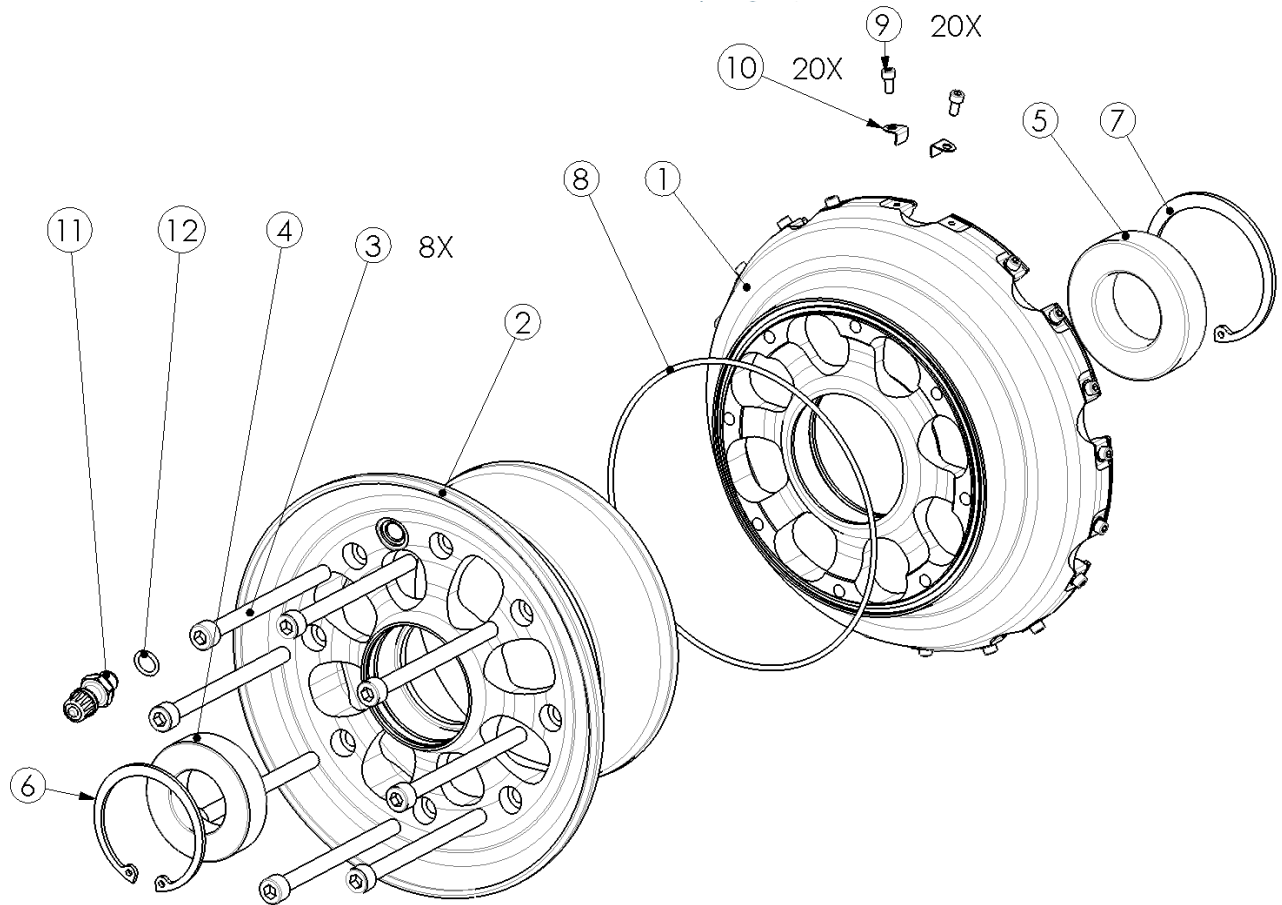
4	V-CHC-008	M6-25 (Q12.9)_Screw / Vis	8
3	J-JTR-007N	6''_O-Ring	1
2	JI-020.1	4.00x6'' SL_Inner Wheel Assy (Low-Profile Bearing)/Assemblage Jante Int (Rlt taille basse)	1
1	JE-016.1	4.00x6''SL Outer Wheel Assy (Low-Profile Bearing) / Assemblage Jante Ext (Rlt taille basse)	1
REP	PART NUMBER	DESCRIPTION	QTY

9.33 RF-004.2

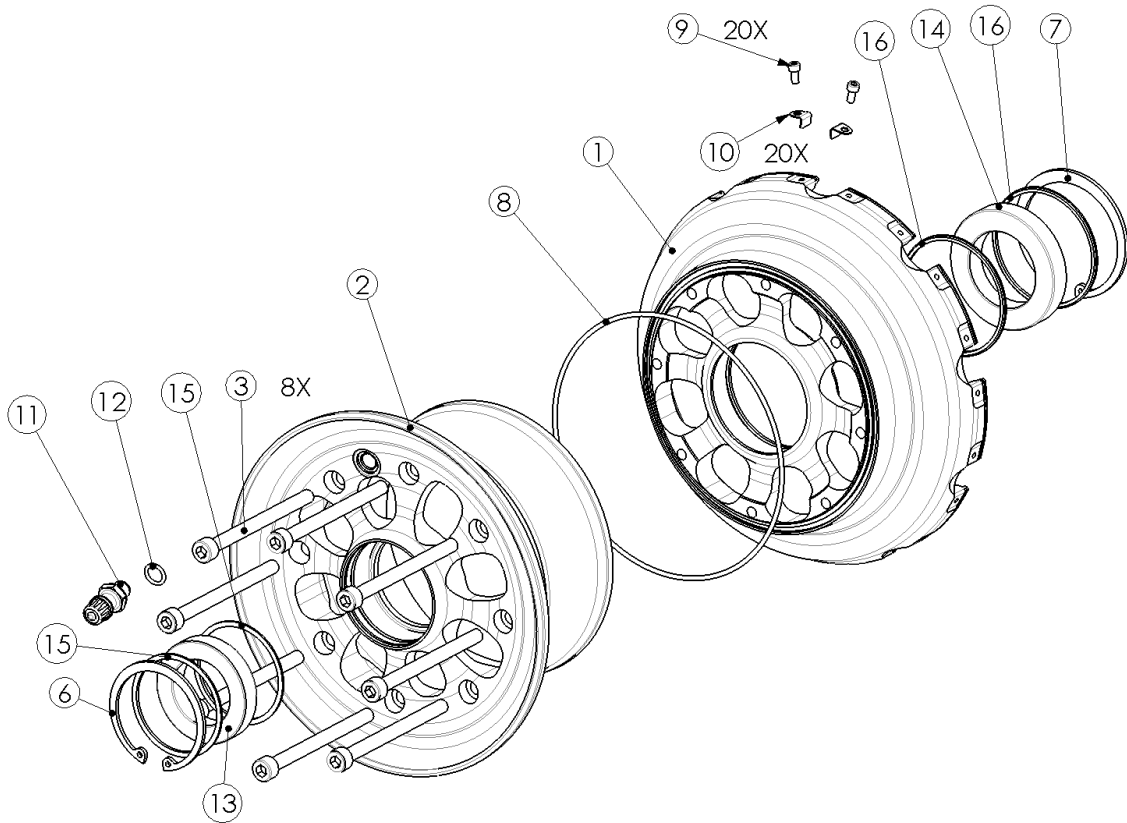


4	J-JTR-007N	6" _O-Ring	1
3	V-CHC-008	M6-25 (Q12.9)_Screw / Vis	8
2	JE-016	4.00x6" SL Outer Wheel Assy./Assemblage Jante Ext	1
1	JI-020.1	4.00x6" SL_Inner Wheel Assy Low-Profile	1
REP	PART NUMBER	DESCRIPTION	QTY

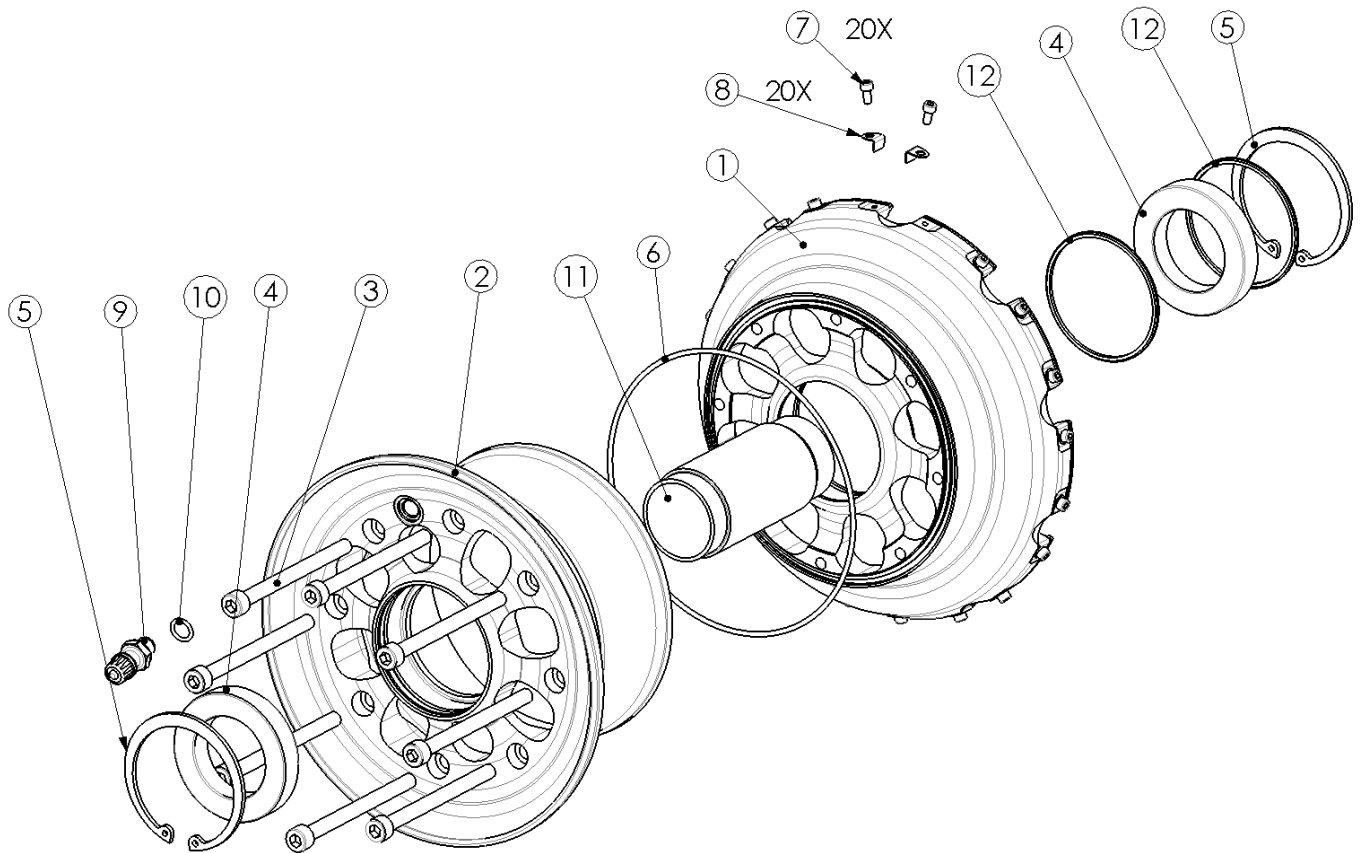
9.34 RF-005*



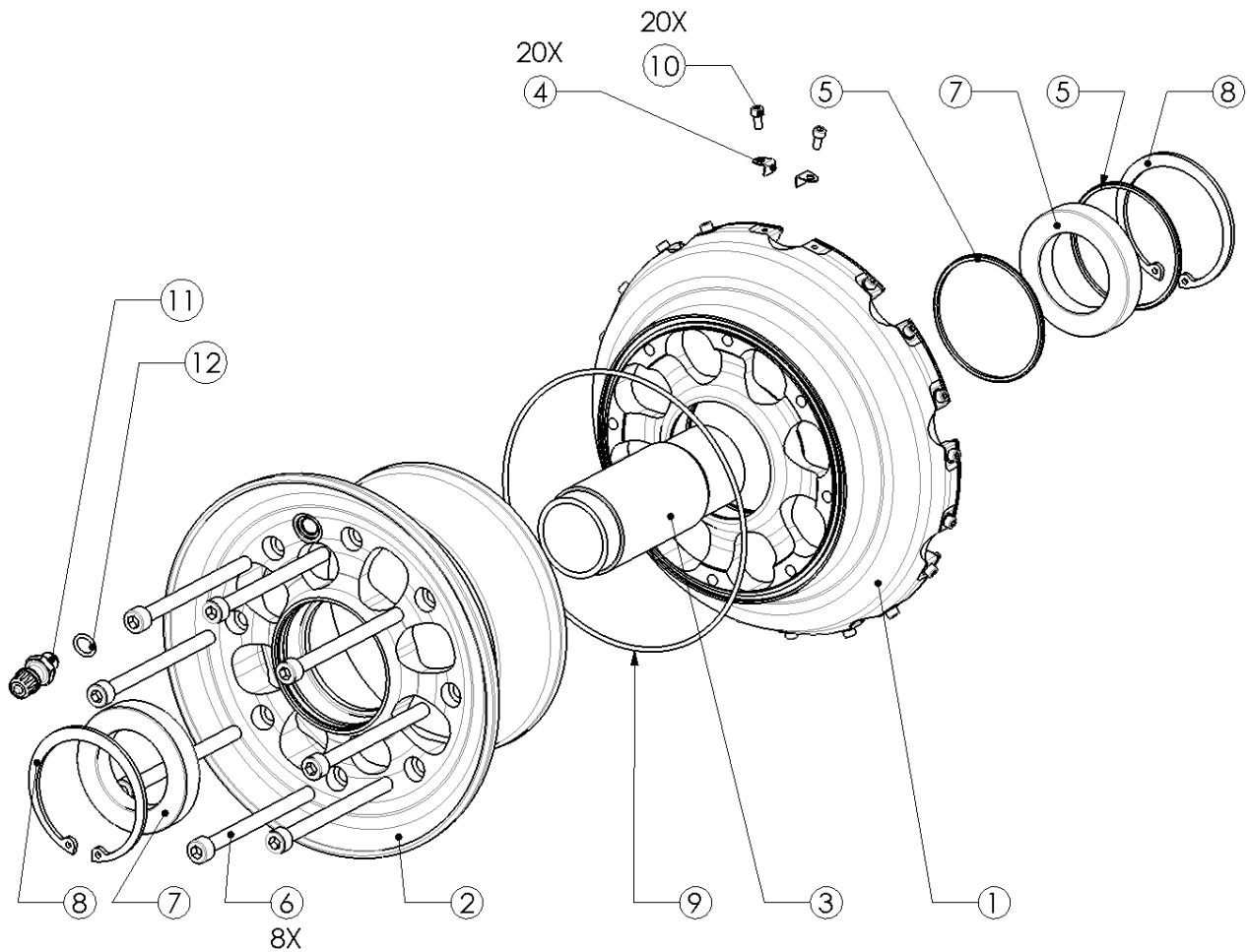
12	J-JTR-017N	O-Ring	1
11	A-001	Valve	1
10	CLP-002	Clip	20
9	V-CHC-005	Clip Screw	20
8	J-JTR-006N	O-Ring	1
7	C-AL-002	Circlip	1
6	C-AL-001	Circlip	1
5	B-BE-002	Bearing	1
4	B-BE-001	Bearing	1
3	V-CHC-003	Assy. Screw	8
2	JAE-019	Outer wheel half	1
1	JAI-011	Inner wheel half	1
REP	PART NUMBER	DESCRIPTION	QTY

9.35 RF-005.1*


16	BGE-015	Spacer	2
15	BGE-014	Spacer	2
12	J-JTR-017N	O-Ring	1
11	A-001	Valve	1
10	CLP-002	Clip	20
9	V-CHC-005	Clip Screw	20
8	J-JTR-006N	O-Ring	1
7	C-AL-002	Circlip	1
6	C-AL-001	Circlip	1
14	B-BE-007	Bearing	1
13	B-BE-012	Bearing	1
3	V-CHC-003	Assy. Screw	8
2	JAE-019	Outer wheel half	1
1	JAI-011	Inner wheel half	1
REP	PART NUMBER	DESCRIPTION	QTY

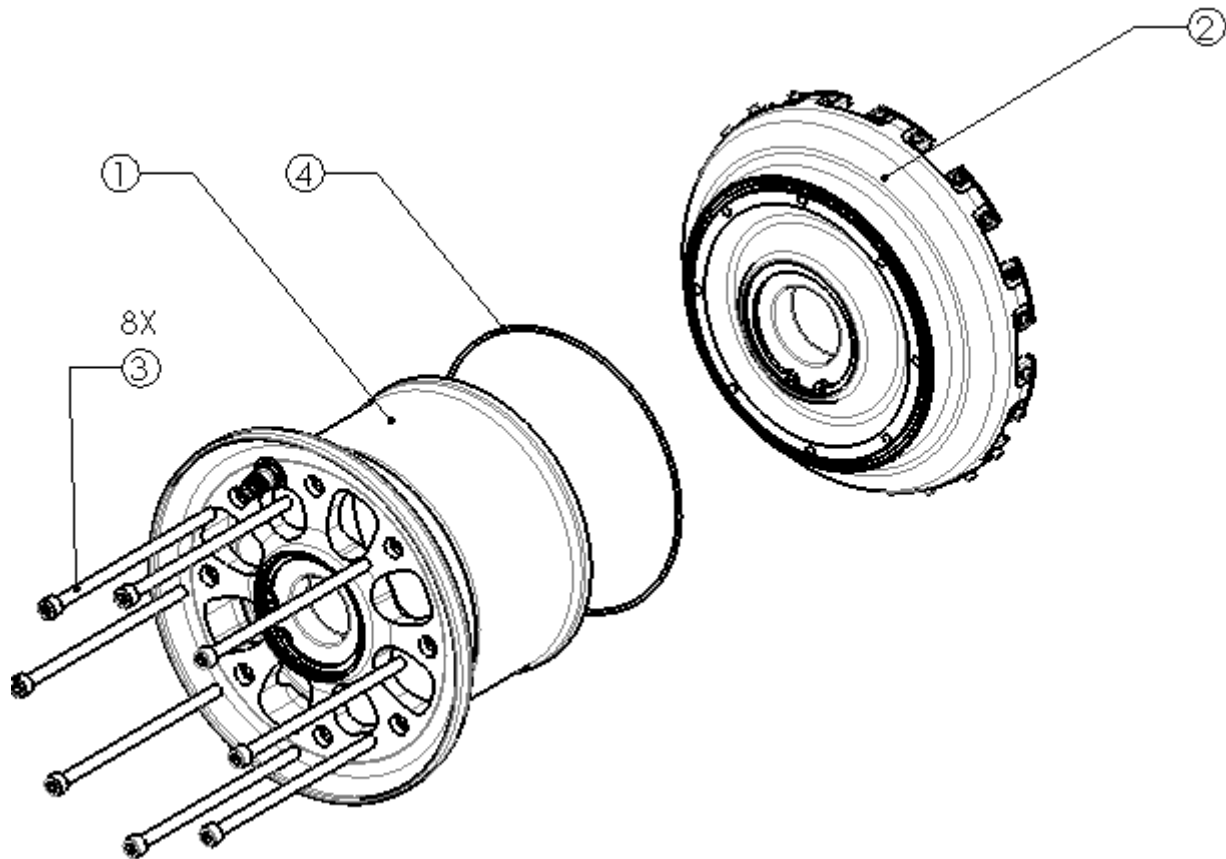
9.36 RF-005.2*


12	BGE-015	Bearing Spacer 55/Entretoise Rlt 55	2
11	AV-VANS-003	Ø35-Ø31.75_ Sleeve / Entretoise	1
10	J-JTR-017N	Valve O-Ring/ Joint Valve	1
9	A-001	Valve	1
8	CLP-002	Clip	20
7	V-CHC-005	M3-6(A4)_Clip Screw / Vis Clip	20
6	J-JTR-006N	O-Ring Wheel 5"/ Joint roue 5"	1
5	C-AL-002	Circlip D55	2
4	B-BE-007	Bearing 35-55/Roulement 35-55	2
3	V-CHC-003	M6x75 (Q12.9)_Screw/Vis Chc	8
2	JAE-019.1	5.00x5" HE Rlt Ø55_ Outer wheel half / Jante ext	1
1	JAI-011	5" HE_Inner wheel half / Jante int	1
REP	PART NUMBER	DESCRIPTION	QTY

9.37 RF-005.3*


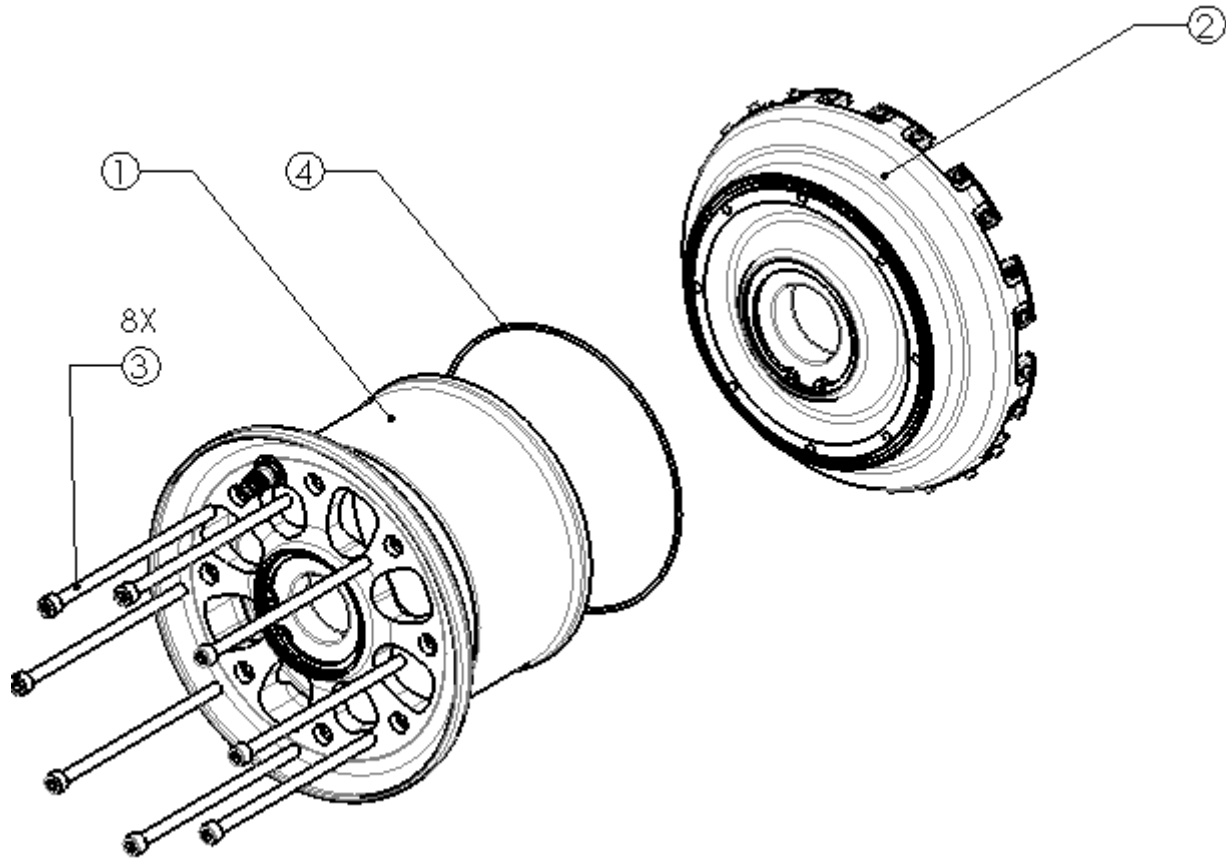
12	J-JTR-017N	Valve O-Ring/ Joint Valve	1
11	A-001	Valve	1
10	V-CHC-005	M3-6(A4) Clip Screw / Vis Clip	20
9	J-JTR-006N	O-Ring Wheel 5" / Joint roue 5"	1
8	C-AL-002	Circlip D55	2
7	B-BE-007	Bearing 35-55/Roulement 35-55	2
6	V-CHC-003	M6x75 (Q12.9) Screw/Vis Chc	8
5	BGE-015	Bearing Spacer 55/Entretoise Rlt 55	2
4	CLP-002	Clip	20
3	AV-GARD-002	Gardan 5.00x5 HE_ Sleeve/Entretoise	1
2	JAE-019.1	5.00x5" HE Rlt Ø55_ Outer wheel half / Jante ext	1
1	JAI-011	5" HE_ Inner wheel half / Jante int	1
REP	PART NUMBER	DESCRIPTION	QTY

9.38 RF-006/RF-006W



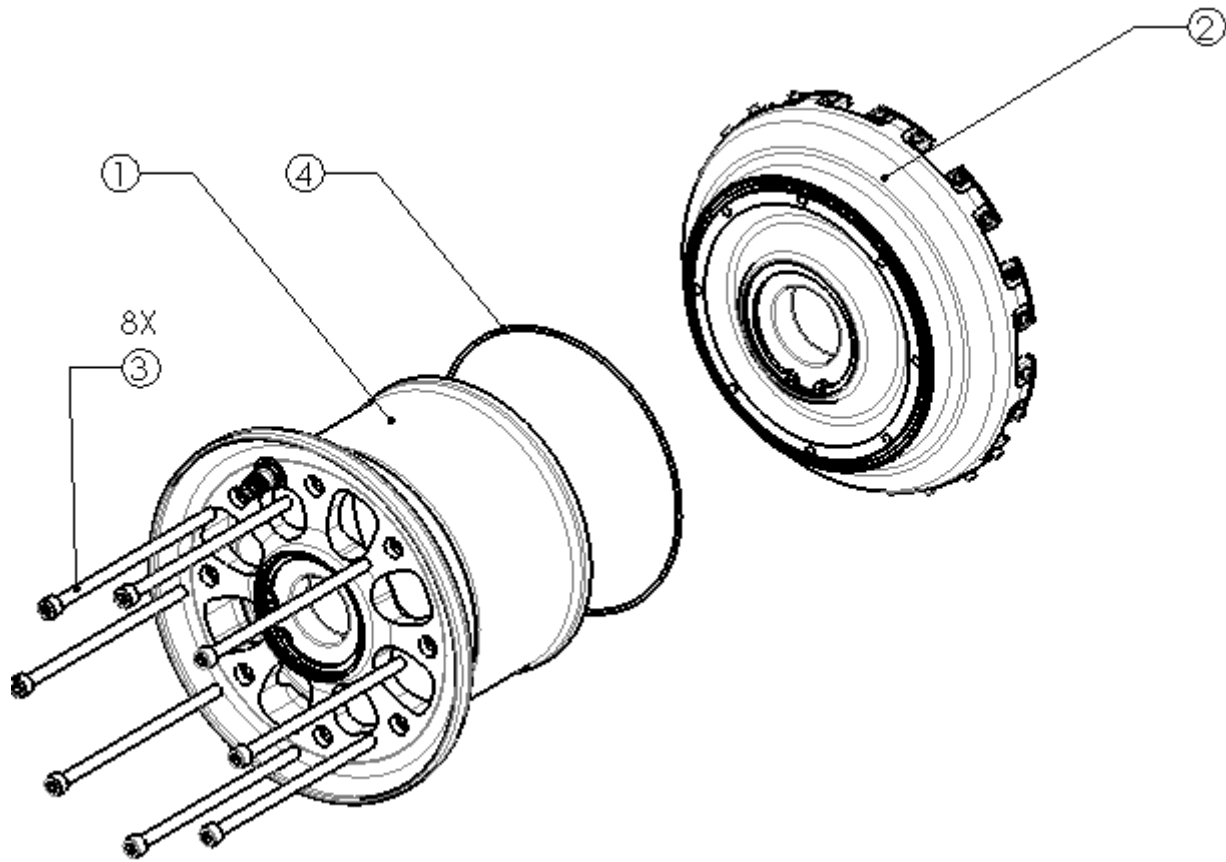
4	J-JTR-007N	6''_O-Ring	1
3	V-CHC-004	M6x120_Screw/Vis Chc	8
2	JI-012/ JI-012W	6.00x6'' HE_Inner Wheel Assy./Assemblage Jante Int 6.00x6'' HE_Inner Wheel Assy.(Stainless steel bearings)/Assemblage Jante Int (Rlts Inox)	1
1	JE-015/ JE-015W	6.00x6'' HE_Outer Wheel Assy./Assemblage Jante Ext (Stainless steel bearings) 6.00x6'' HE_Outer Wheel Assy./Assemblage Jante Ext (Rlts Inox)	1
REP	PART NUMBER	DESCRIPTION	QTY

9.39 RF-006.1

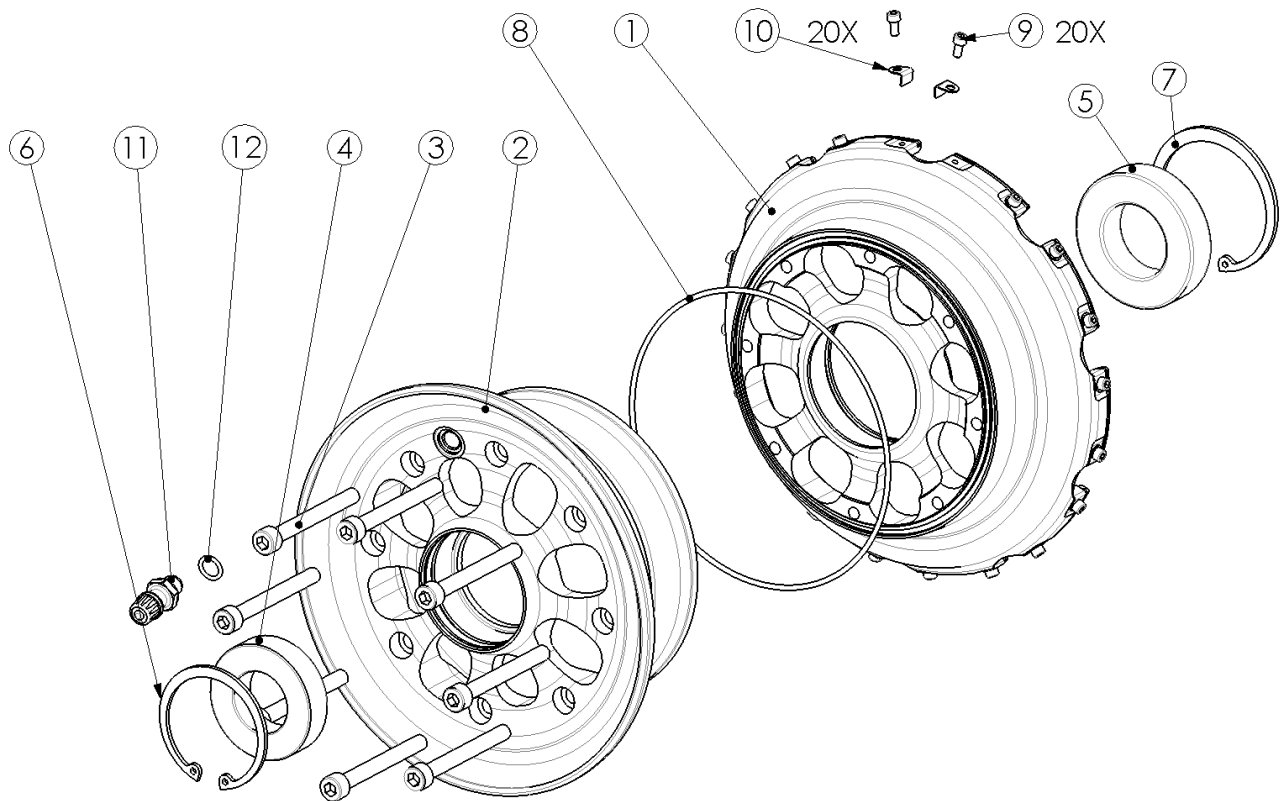


4	Jl-012.1	6.00x6" HE_Inner Wheel Assy (Low-Profile Bearing) / Assemblage Jante Int (Rlt Taille Basse)	1
3	JE-015.1	6.00x6" HE_Outer Wheel Assy (Low-Profile Bearing)/Assemblage Jante Ext (Rlt Taille Basse)	1
2	J-JTR-007N	6" _O-Ring	1
1	V-CHC-004	M6x120_Screw/Vis Chc	8
REP	PART NUMBER	DESCRIPTION	QTY

9.40 RF-006.2

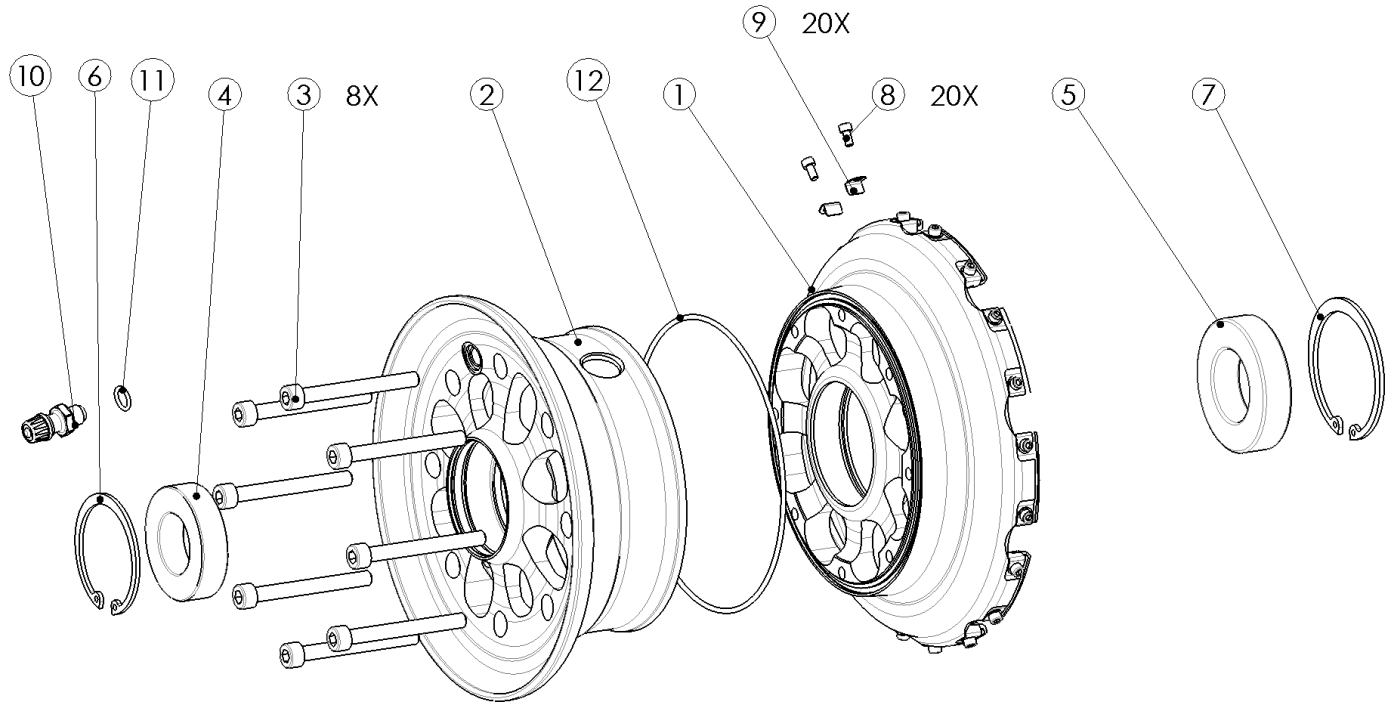


4	JI-012.1	6.00x6" HE_Inner Wheel Assy (Low-Profile Bearing) / Assemblage Jante Int (Rlt Taille Basse)	1
3	JE-015	6.00x6" HE_Outer Wheel Assy/Assemblage Jante Ext	1
2	J-JTR-007N	6" _O-Ring	1
1	V-CHC-004	M6x120_Screw/Vis Chc	8
REP	PART NUMBER	DESCRIPTION	QTY

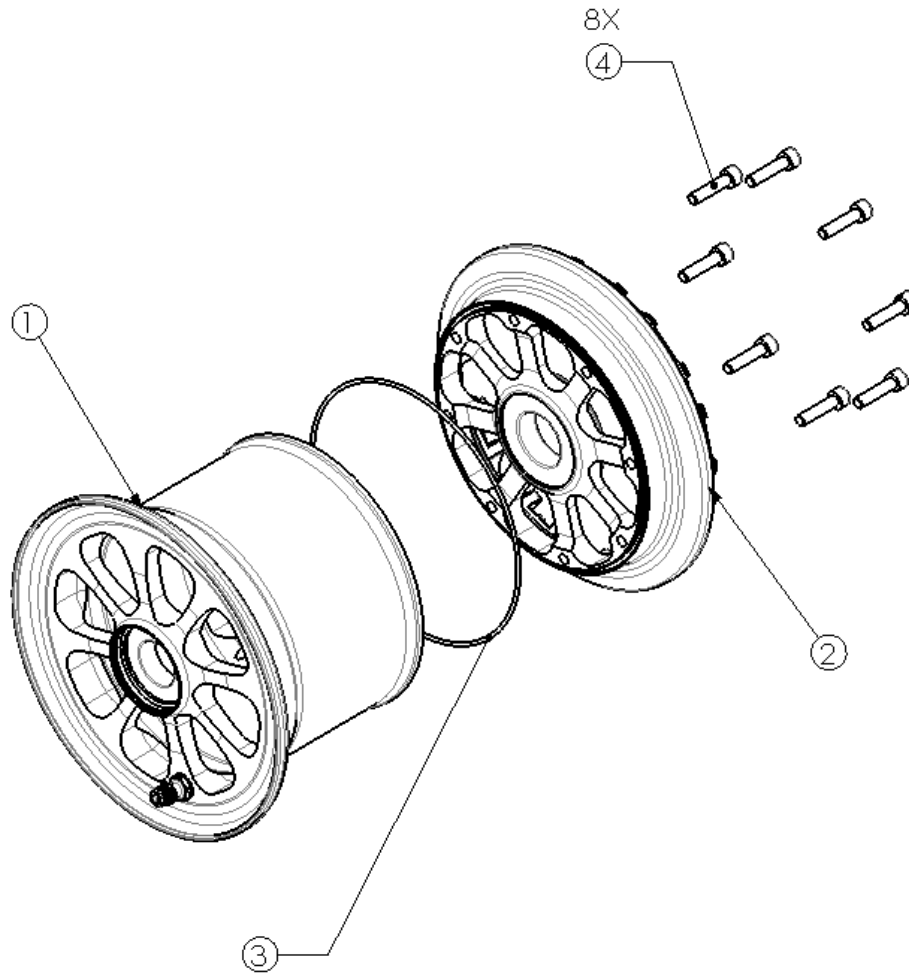
9.41 RF-007/RF-007W *


12	J-JTR-017N	O-Ring	1
11	A-001	Valve	1
10	CLP-002	Clip	20
9	V-CHC-005	Clip Screw	20
8	J-JTR-006N	O-Ring	1
7	C-AL-002	Circlip	1
6	C-AL-001	Circlip	1
5	B-BE-002	Bearing	1
5	B-BE-002W	Bearing stainless steel/Roulement inox	1
4	B-BE-001	Bearing	1
4	B-BE-001W	Bearing stainless steel/Roulement inox	1
3	V-CHC-001	Assy. Screw	8
2	JAE-020	Outer wheel half	1
1	JAI-002	Inner wheel half	1
REP	PART NUMBER	DESCRIPTION	QTY

9.42 RF-007.1*

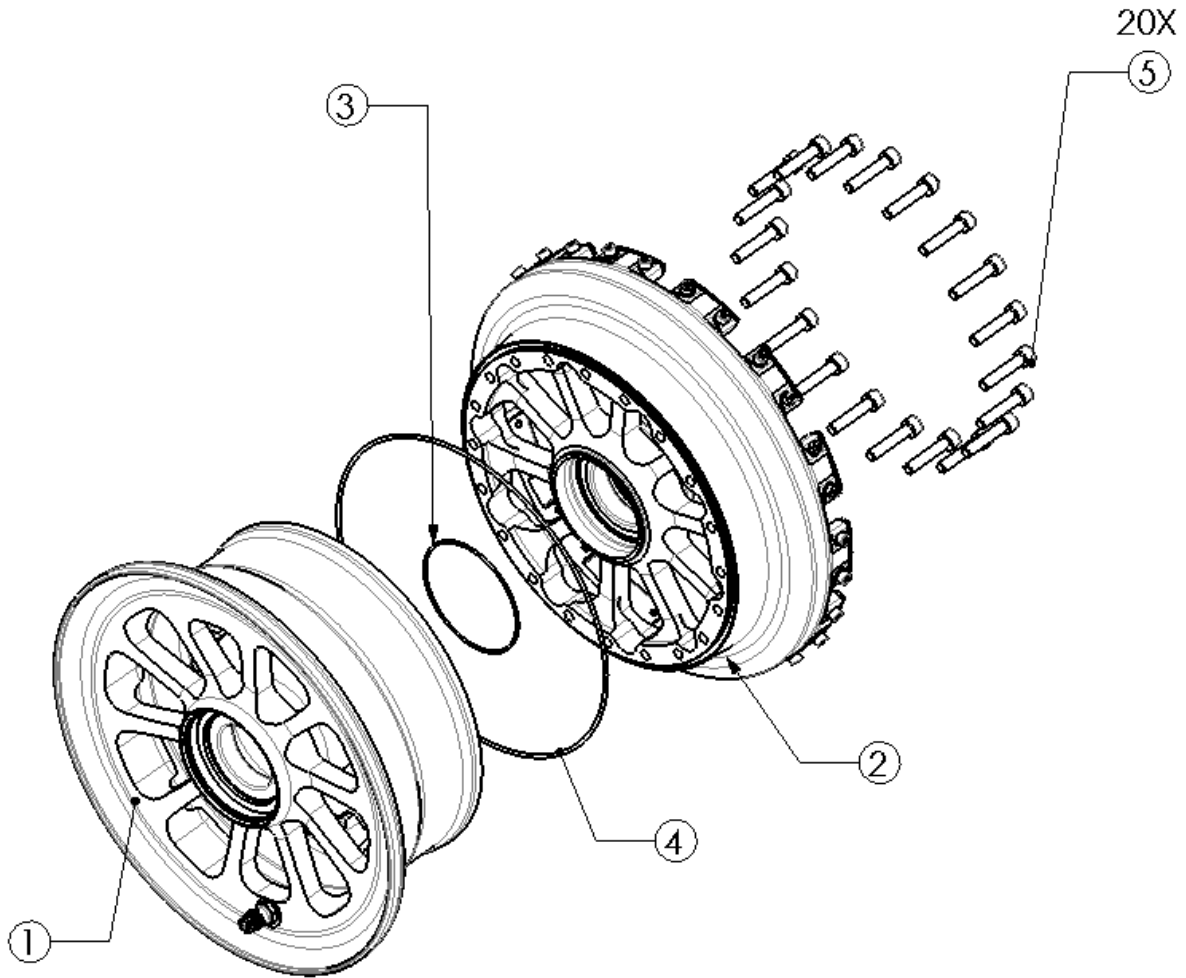


12	J-JTR-006N	O-Ring	1
11	J-JTR-017N	O-Ring	1
10	A-001	Valve	1
9	CLP-002	Clip	20
8	V-CHC-005	Clip Screw	20
7	C-AL-002	Circlip	1
6	C-AL-001	Circlip	1
5	B-BE-002	Bearing	1
4	B-BE-001	Bearing	1
3	V-CHC-001	Assy. Screw	8
2	JAE-020.2	Outer wheel half	1
1	JAI-002	Inner wheel half	1
REP	PART NUMBER	DESCRIPTION	QTY

9.43 RF-009/RF-009W


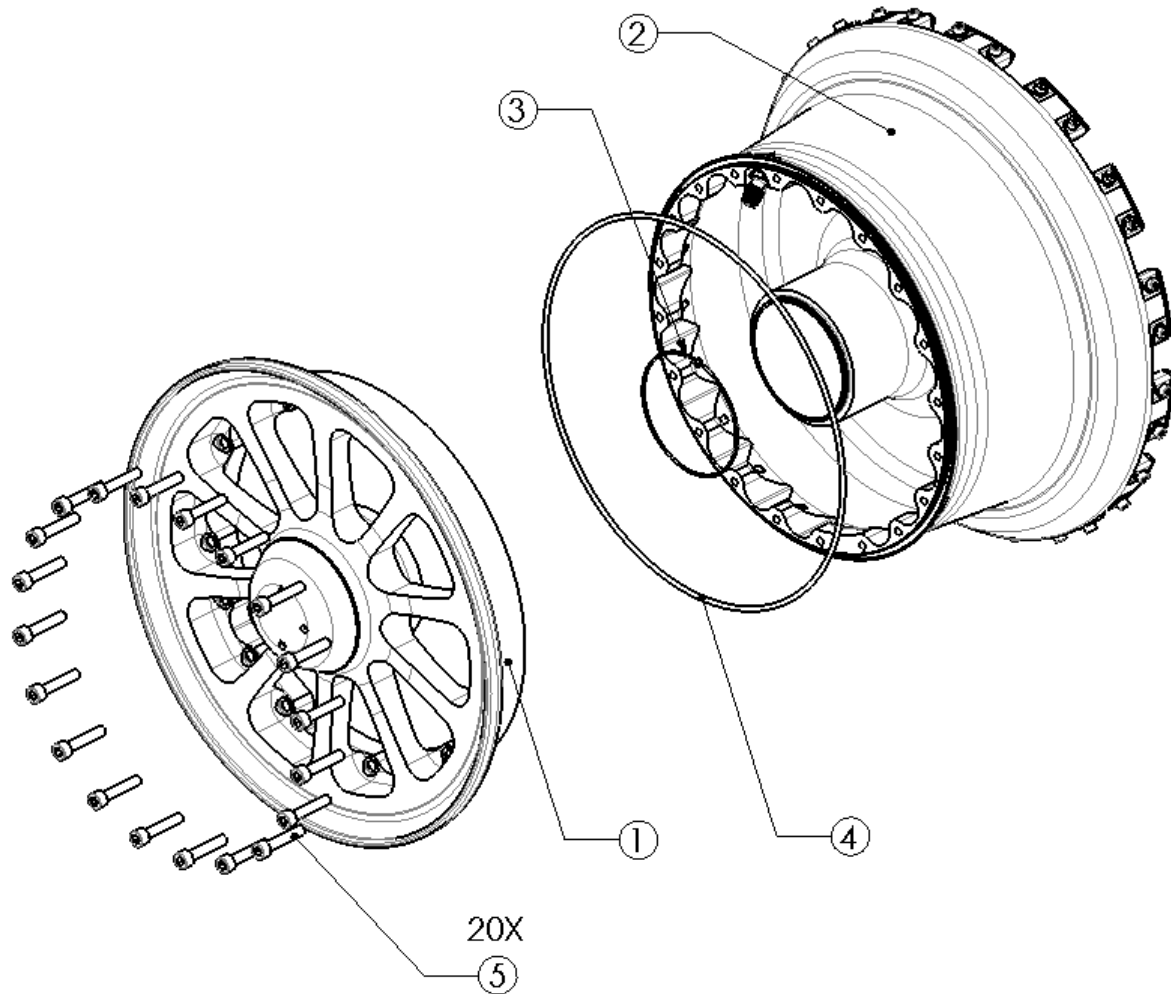
4	V-CHC-008	M6-25 (Q12.9)_Screw / Vis	8
3	J-JTR-007N	6''_O-Ring	1
2	J1-020/ J1-020W	4.00x6''SL Inner Wheel Assy/ Assemblage Jante Int 4.00x6''SL Inner Wheel Assy (Stainless steel bearings) / Assemblage Jante Int (Rlts Inox)	1
1	JE-017/ JE-017W	Wheel 6.00x6'' SL_Inner Wheel Assy / Assemblage Jante Wheel 6.00x6'' SL_Inner Wheel Assy (Stainless steel bearings) / Assemblage Jante (Rlts Inox)	1
REP	PART NUMBER	DESCRIPTION	QTY

9.44 RF-010

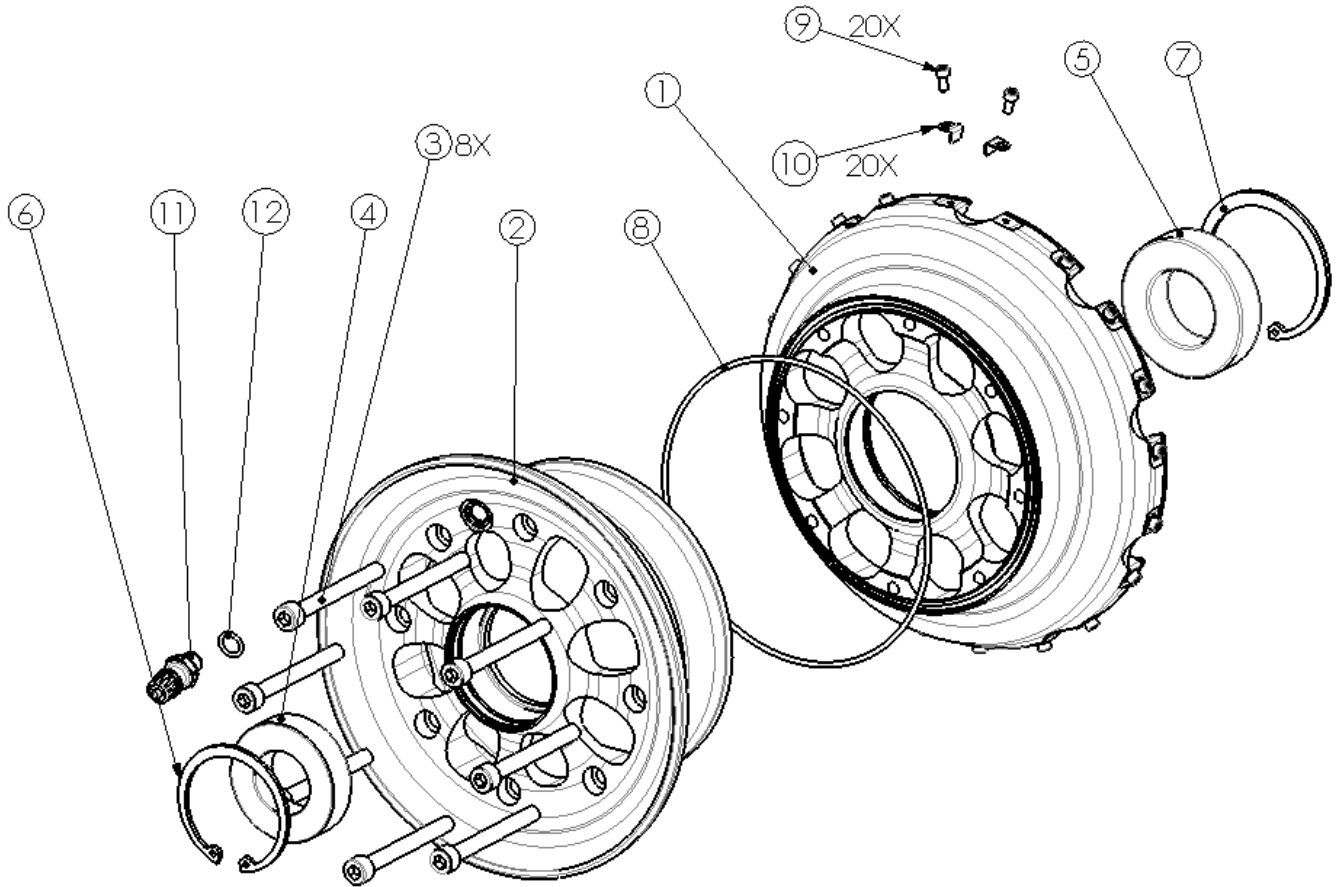


5	V-CHC-009	M6x30 (Q12.9)Screw/ Vis	20
4	J-JTR-024N	18x5.5_O-Ring/ Joint Torique Ext	1
3	J-JTR-023N	BH-001_O-Ring/ Joint Torique	1
2	JI-022	18x5.5_Inner Half Wheel Assy/ Ensemble Demi Roue int	1
1	JE-021	18x5.5_Outer Wheel Assy/Assemblage Jante Ext	1
REP	PART NUMBER	DESCRIPTION	QTY

9.45 RF-011

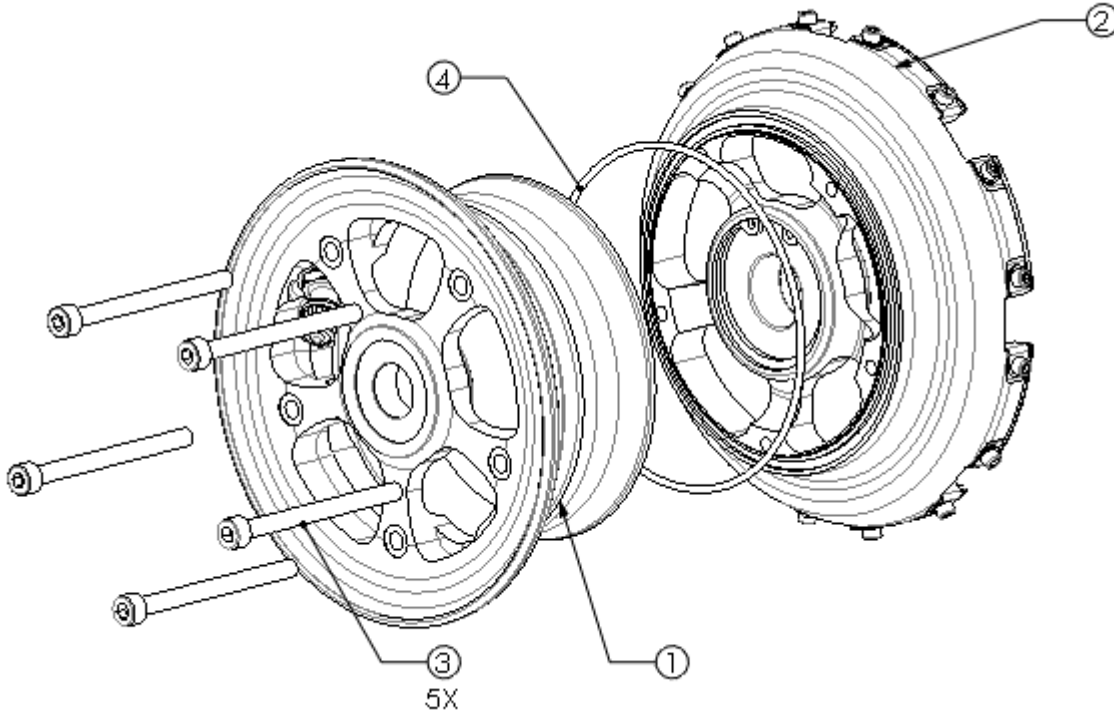


5	V-CHC-009	M6x30 (Q12.9)_Screw/ Vis	20
4	J-JTR-013N	12''_O-Ring	1
3	J-JTR-009N	BCH-001_O-Ring /Joint torique	1
2	JI-018	24x7.7_Inner Wheel Assy / Assemblage Jante Int	1
1	JE-013	24x7.7_Outer Wheel Assy / Assemblage Jante Ext	1
REP	PART NUMBER	DESCRIPTION	QTY

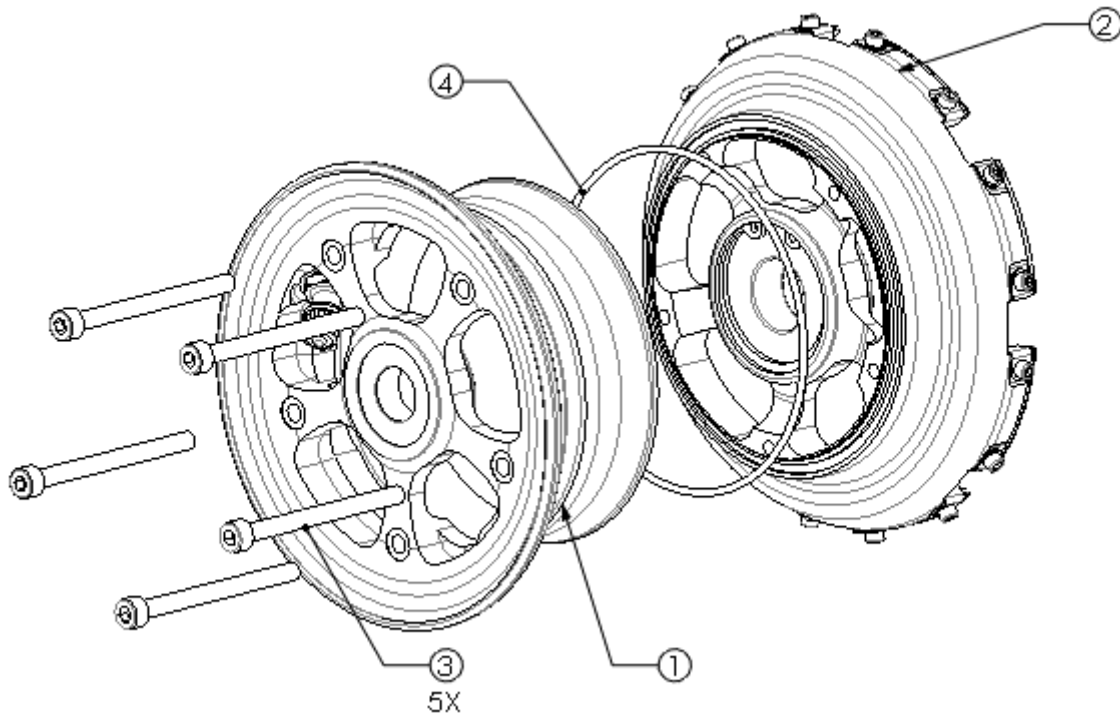
9.46 RF-012*


12	J-JTR-017N	O-Ring	1
11	A-001	Valve	1
10	CLP-002	Clip	20
9	V-CHC-005	Clip Screw	20
8	J-JTR-006N	O-Ring	1
7	C-AL-002	Circlip	1
6	C-AL-001	Circlip	1
5	B-BE-002	Bearing	1
4	B-BE-001	Bearing	1
3	V-CHC-001	Assy. Screw	8
2	JAE-020	Outer wheel half	1
1	JAI-011	Inner wheel half	1
REP	PART NUMBER	DESCRIPTION	QTY

9.47 RF-013

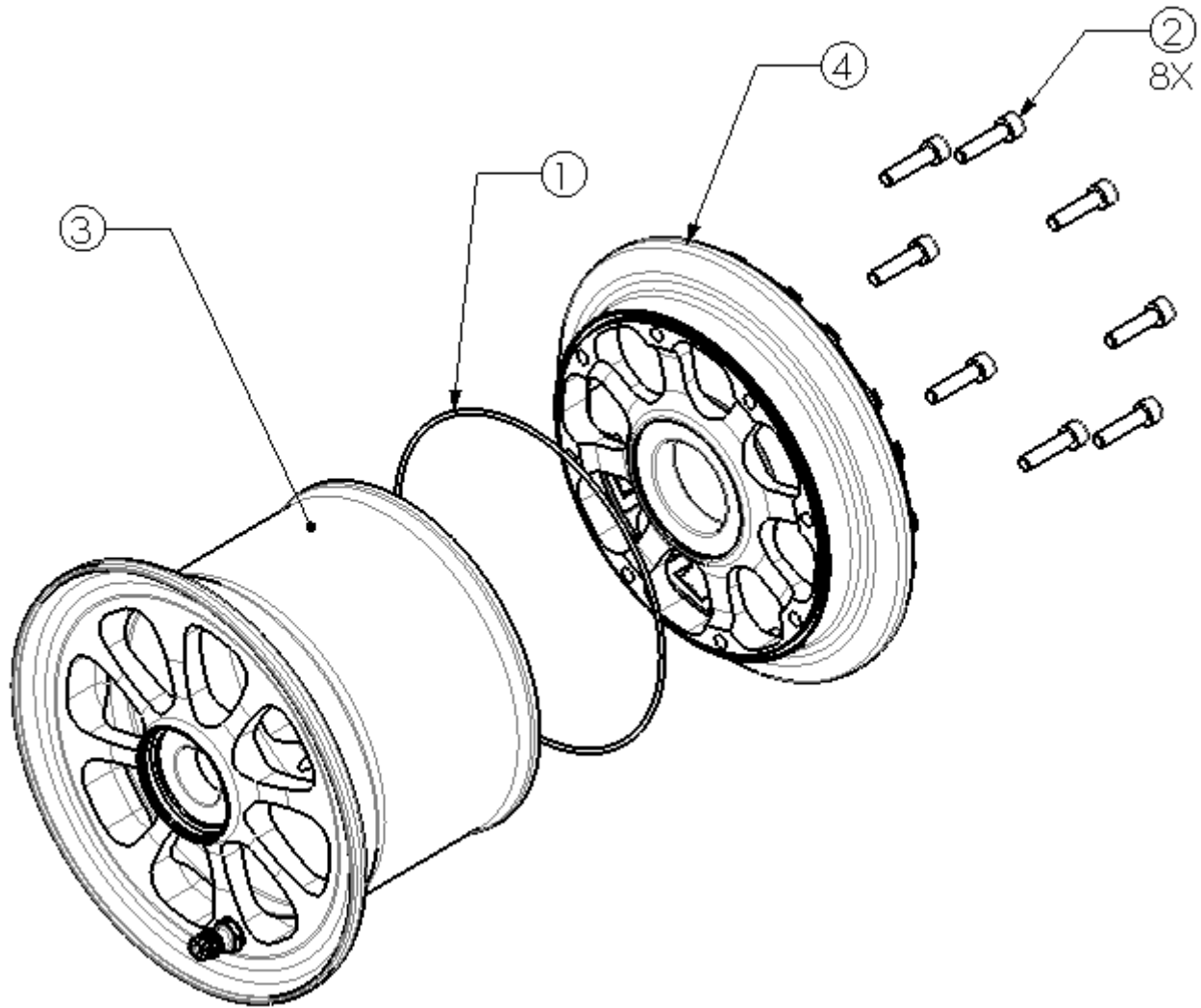


4	J-JTR-019N	4''_O-Ring/ Joint torique	1
3	V-CHC-015	M5x60_Screw/Vis Chc	5
2	Jl-023	3.5x4''(Ø20-Ø15)_Inner Wheel Assy/ Assemblage Jante Int	1
1	JE-009	3.5x4''(Ø15)_Outer Wheel Assy/ Assemblage Jante Ext	1
REP	PART NUMBER	DESCRIPTION	QTY

9.48 RF-013.1


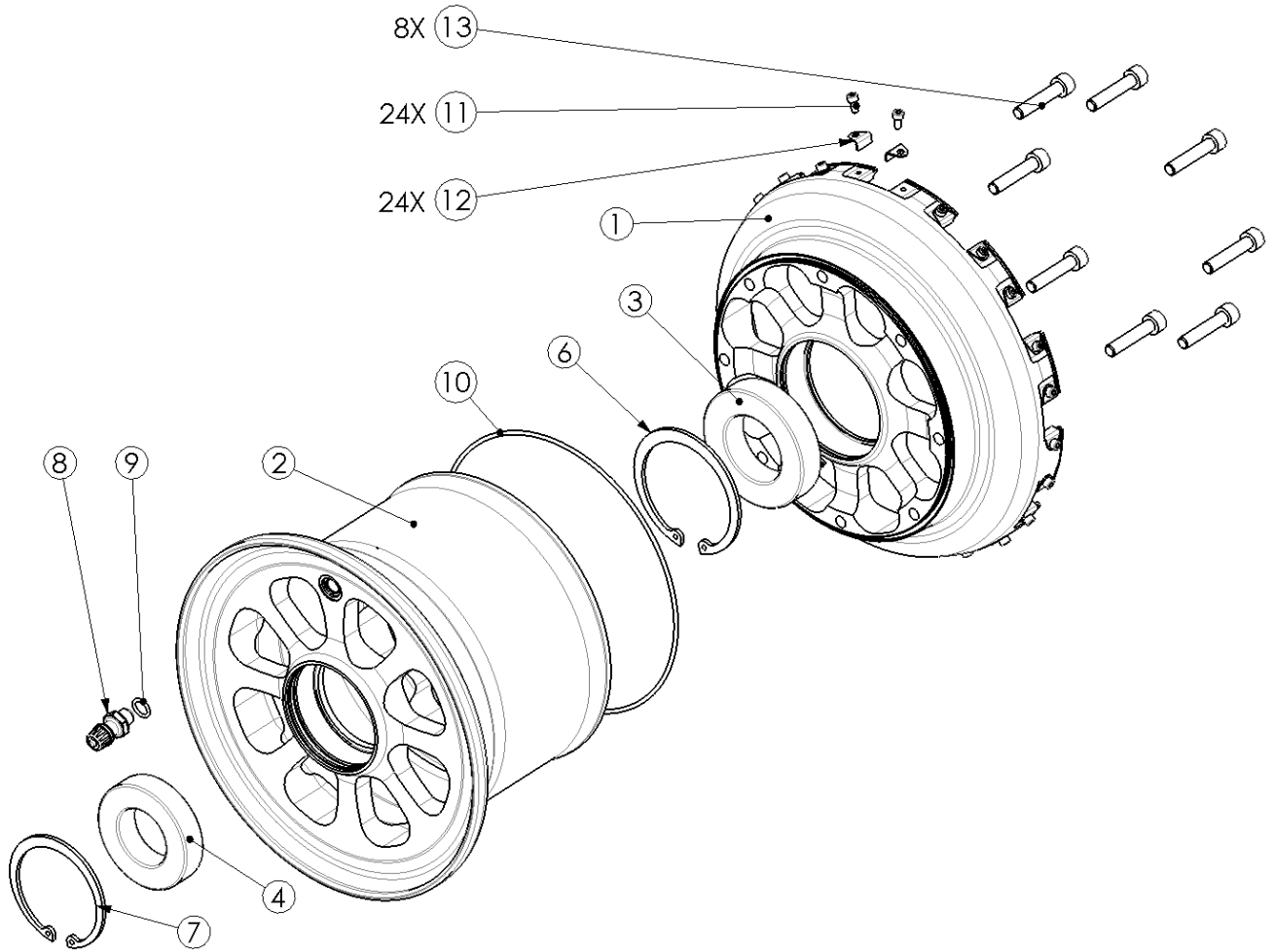
4	J-JTR-019N	4''_O-Ring/ Joint torique	1
3	V-CHC-015	M5x60_Screw/Vis Chc	5
2	JI-023.1	3.5x4''(Ø25)_Inner Wheel Assy (Low-Profile Bearing) / Assemblage Jante Int (Rlt Taille Basse)	1
1	JE-009	3.5x4''(Ø15)_Outer Wheel Assy/ Assemblage Jante Ext	1
REP	PART NUMBER	DESCRIPTION	QTY

9.49 RF-014

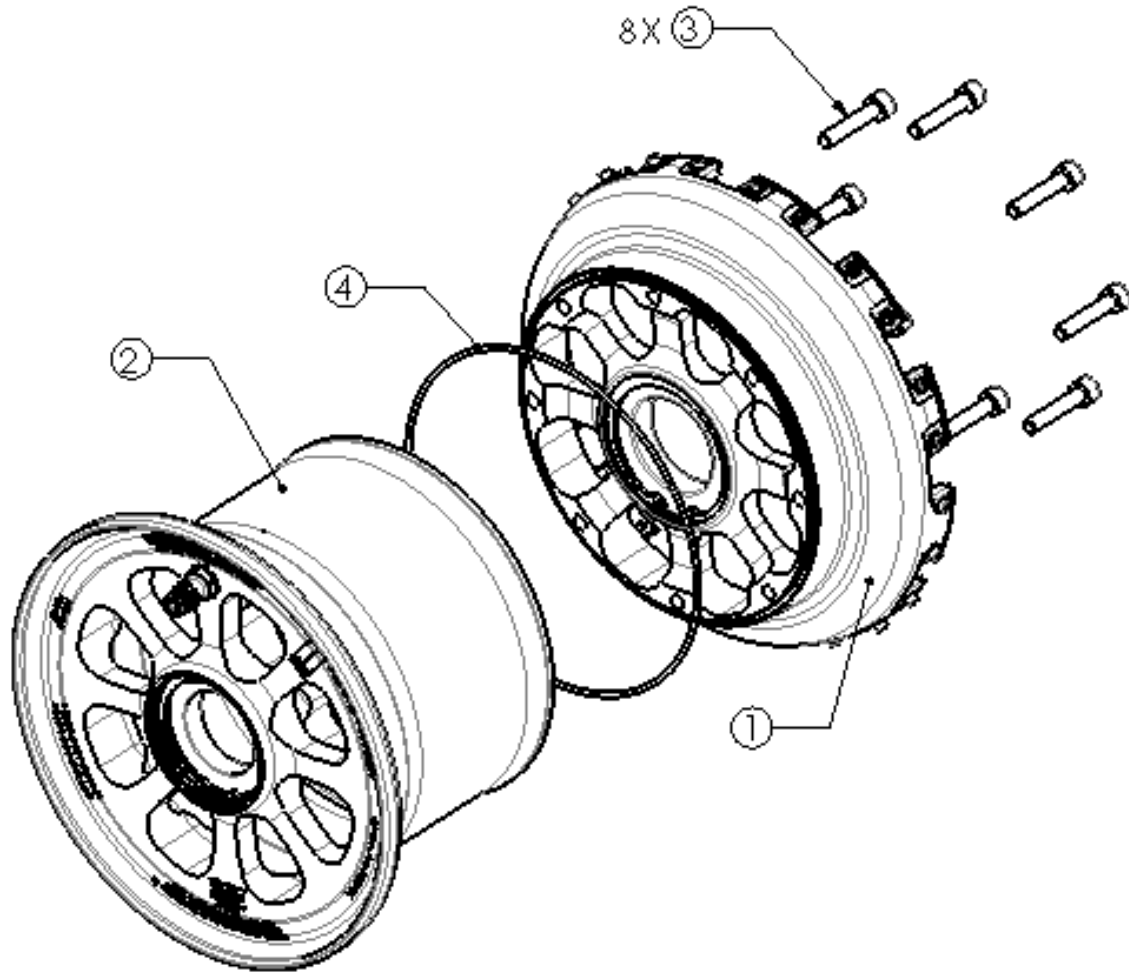


4	JI-024	6.00x6" SL US_Inner Wheel Assy/ Assemblage Jante Int	1
3	JE-017	Wheel 6.00x6" SL_Inner Wheel Assy / Assemblage Jante Int	1
2	V-CHC-008	M6-25 (Q12.9)_Screw / Vis	8
1	J-JTR-007N	6" _O-Ring	1
REP	PART NUMBER	DESCRIPTION	QTY

9.50 RF-015*

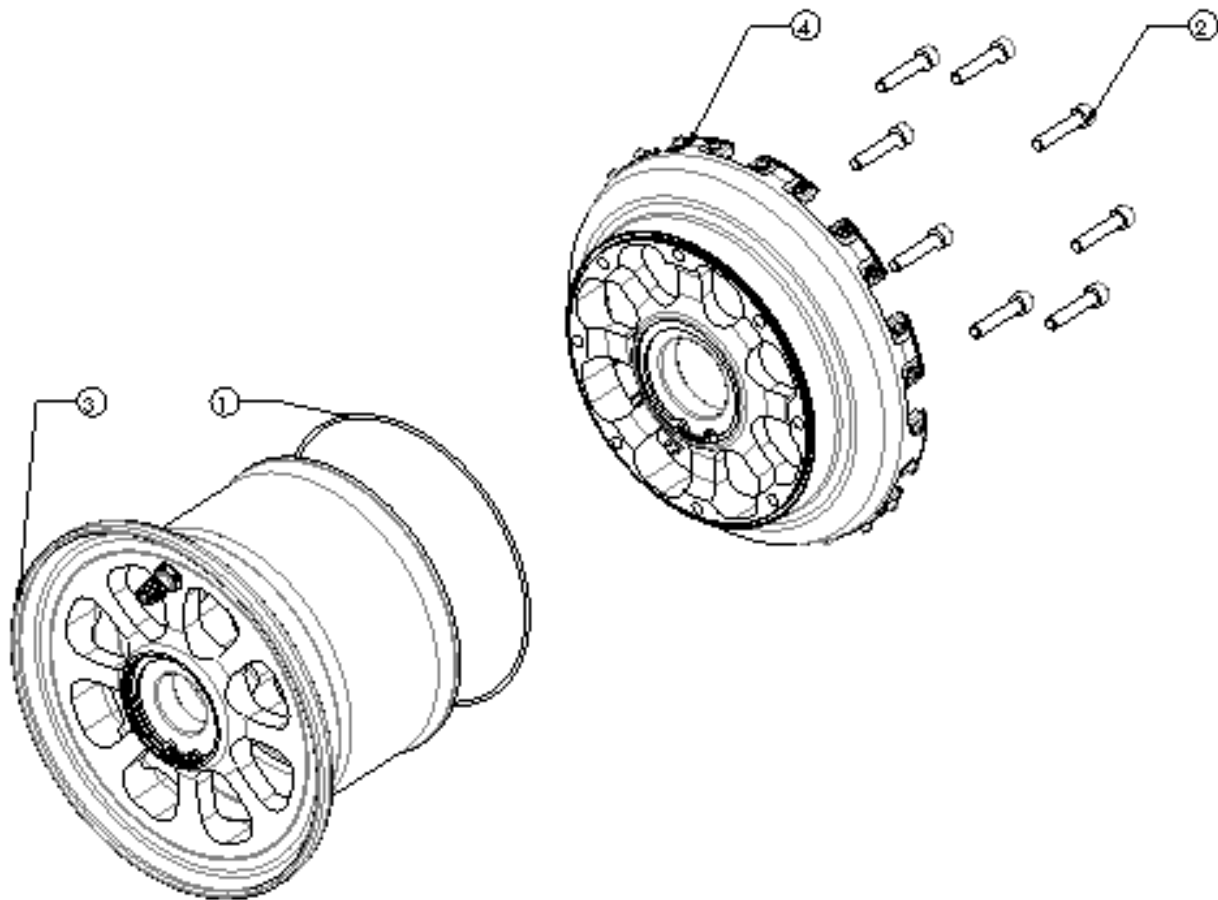


12	CLP-001	Clip 6", 10"	24
11	V-CHC-005	M3-6(A4)_Clip Screw / Vis Clip	24
10	J-JTR-007N	6" _O-Ring	1
9	J-JTR-017N	Valve O-Ring/ Joint Valve	1
8	A-001	Valve	1
7	C-AL-002	Circlip D55	1
6	C-AL-003	Circlip D62	1
5	V-CHC-009	M6x30 (Q12.9)_Screw/ Vis	8
4	B-BE-002	D55_Bearing/Roulement	1
3	B-BE-003	D62_Bearing/Roulement	1
2	JAE-023	6.00x6" LE_Outer wheel half/Jante Ext	1
1	JAI-025	Inner wheel half	1
REP	PART NUMBER	DESCRIPTION	QTY

9.51 RF-015.1


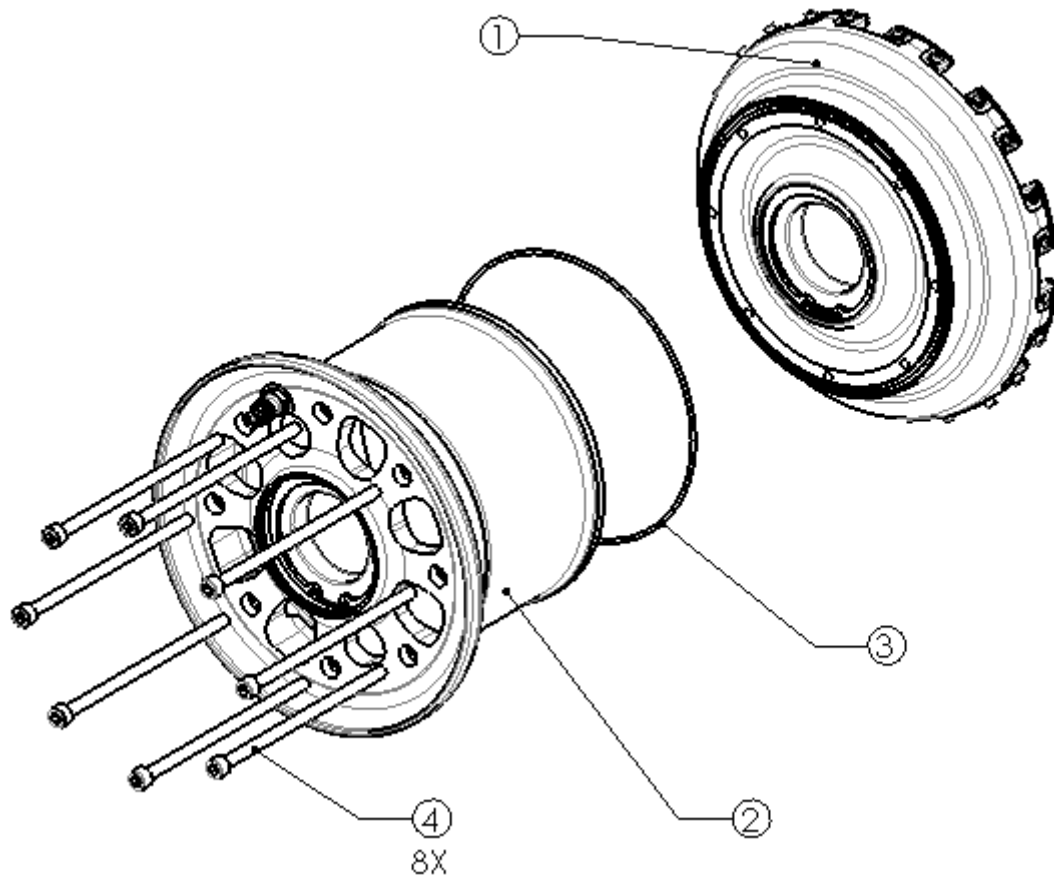
4	J-JTR-007N	6''_O-Ring	1
3	V-CHC-009	M6x30 (Q12.9)_Screw/ Vis	8
2	JE-023.1	6.00x6 '' LE (Ø35)_Outer Wheel Assy (Low-profile Bearing)/ Assemblage Jante Ext (Rlt Taille Basse)	1
1	JI-025.1	6.00x6 '' LE(Ø40)_Inner Wheel Assy (Low-profile Bearing)/Assemblage jante Int (Rlt Taille Basse)	1
REP	PART NUMBER	DESCRIPTION	QTY

9.52 RF-015.2



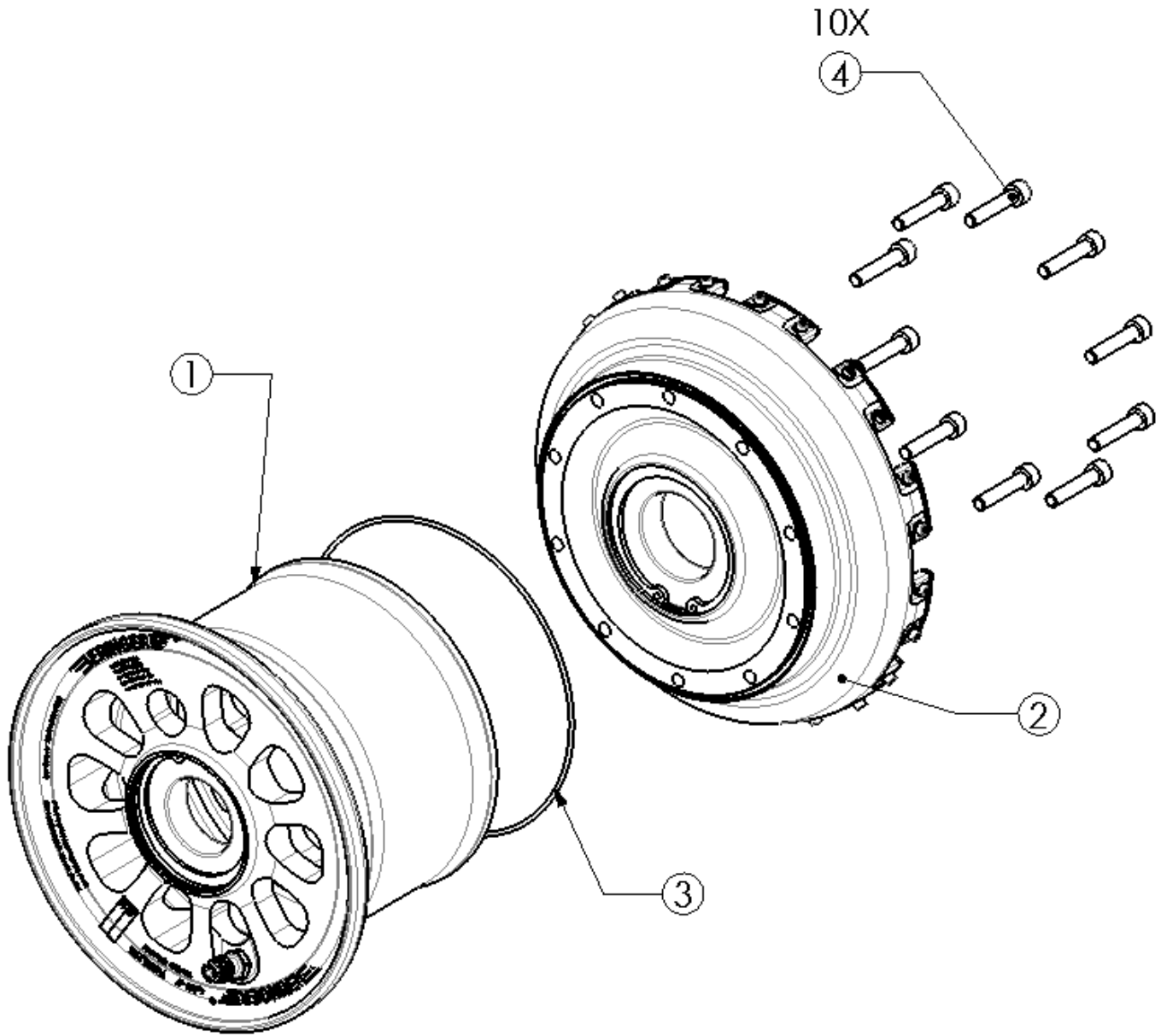
4	JI-025.1	6.00x6'' LE(Ø40)_Inner Wheel Assy (Low-profile Bearing)/Assemblage jante Int (Rlt Taille Basse)	1
3	JE-023	6.00x6'' LE_Outer Wheel Assy/ Assemblage Jante Ext	1
2	V-CHC-009	M6x30 (Q12.9)_Screw/ Vis	8
1	J-JTR-007N	6''_O-Ring	1
REP	PART NUMBER	DESCRIPTION	QTY

9.53 RF-016



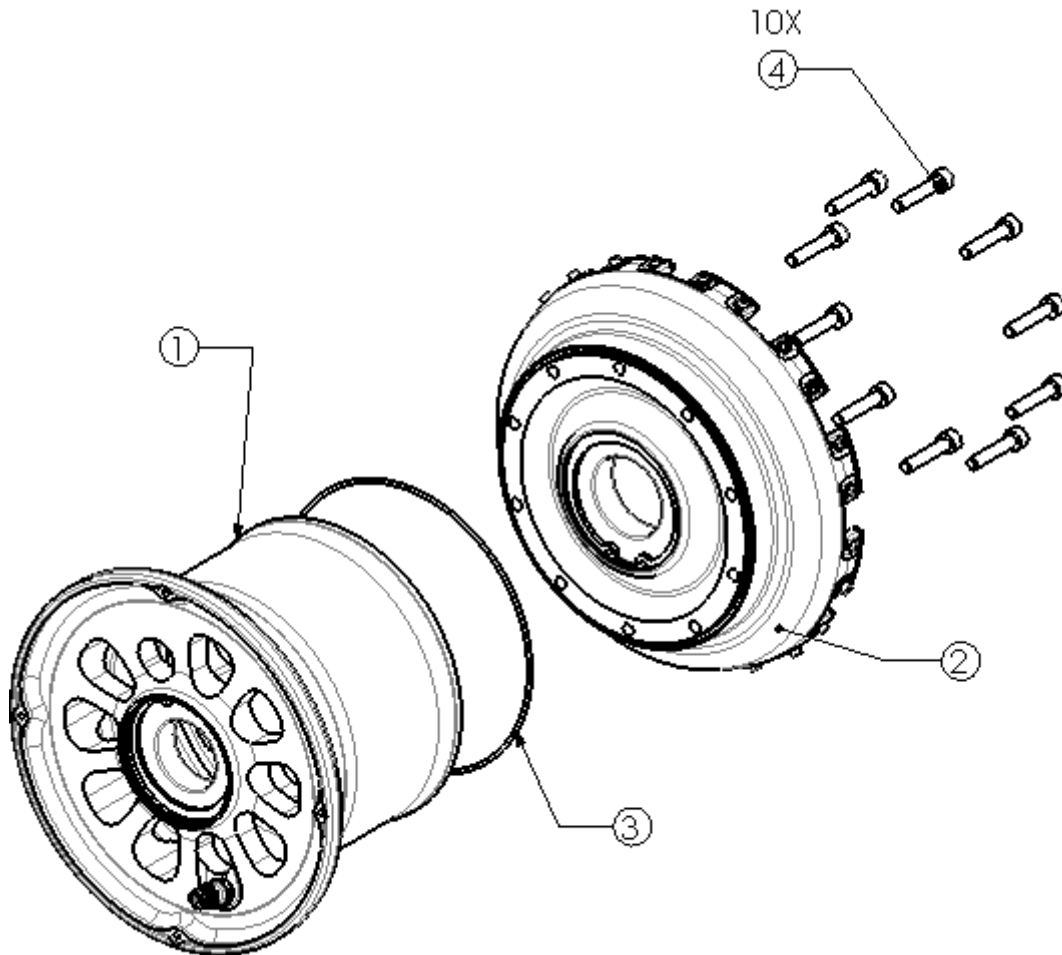
4	V-CHC-004	M6x120_Screw/Vis Chc	8
3	J-JTR-007N	6''_O-Ring	1
2	JE-024	6.00x6 HE (Ø45)_Outer Wheel Assy / Assemblage Jante Ext	1
1	JI-012.1	6.00x6'' HE_Inner Wheel Assy (Low-Profile Bearing) / Assemblage Jante Int (Rlt Taille Basse)	1
REP	PART NUMBER	DESCRIPTION	QTY

9.54 RF-017

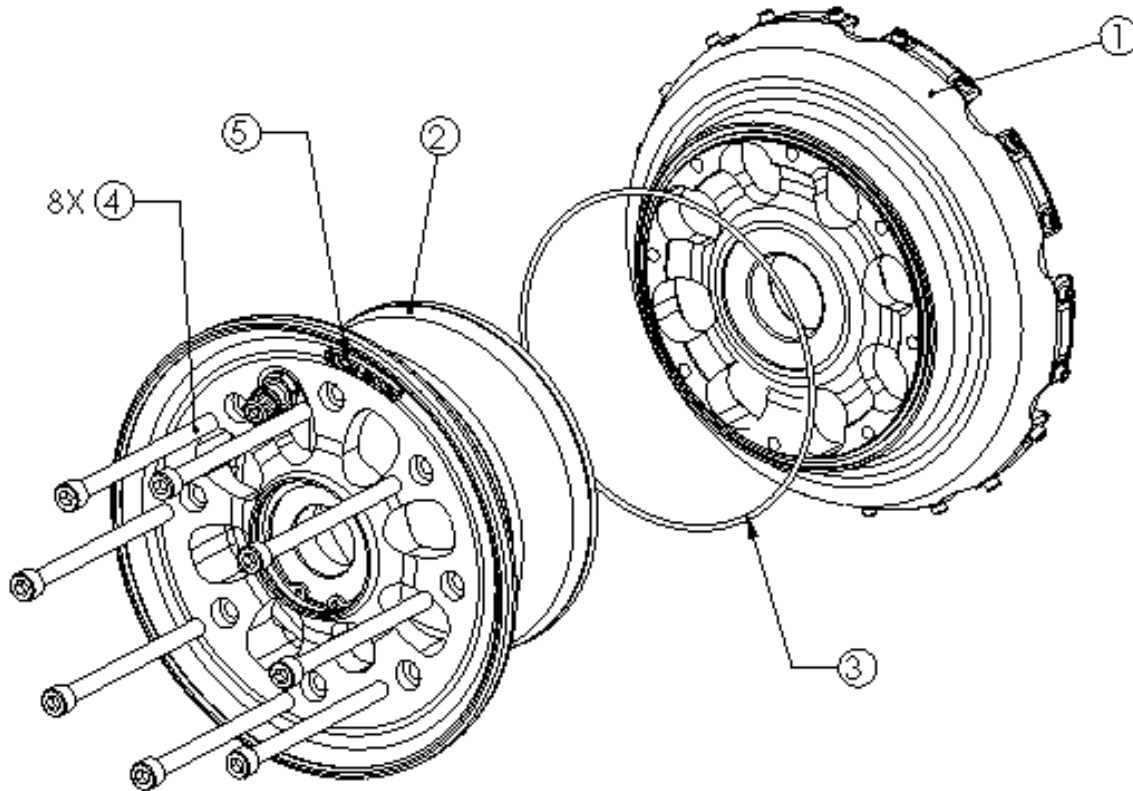


4	V-CHC-009	M6x30 (Q12.9)_Screw/ Vis	10
3	J-JTR-007N	6''_O-Ring	1
2	JI-026	6.00x6'' HL_Inner Wheel Assy/ Assemblage Jante Int	1
1	JE-025	6.00x6'' HL_Outer Wheel Assy / Assemblage Jante Ext	1
REP	PART NUMBER	DESCRIPTION	QTY

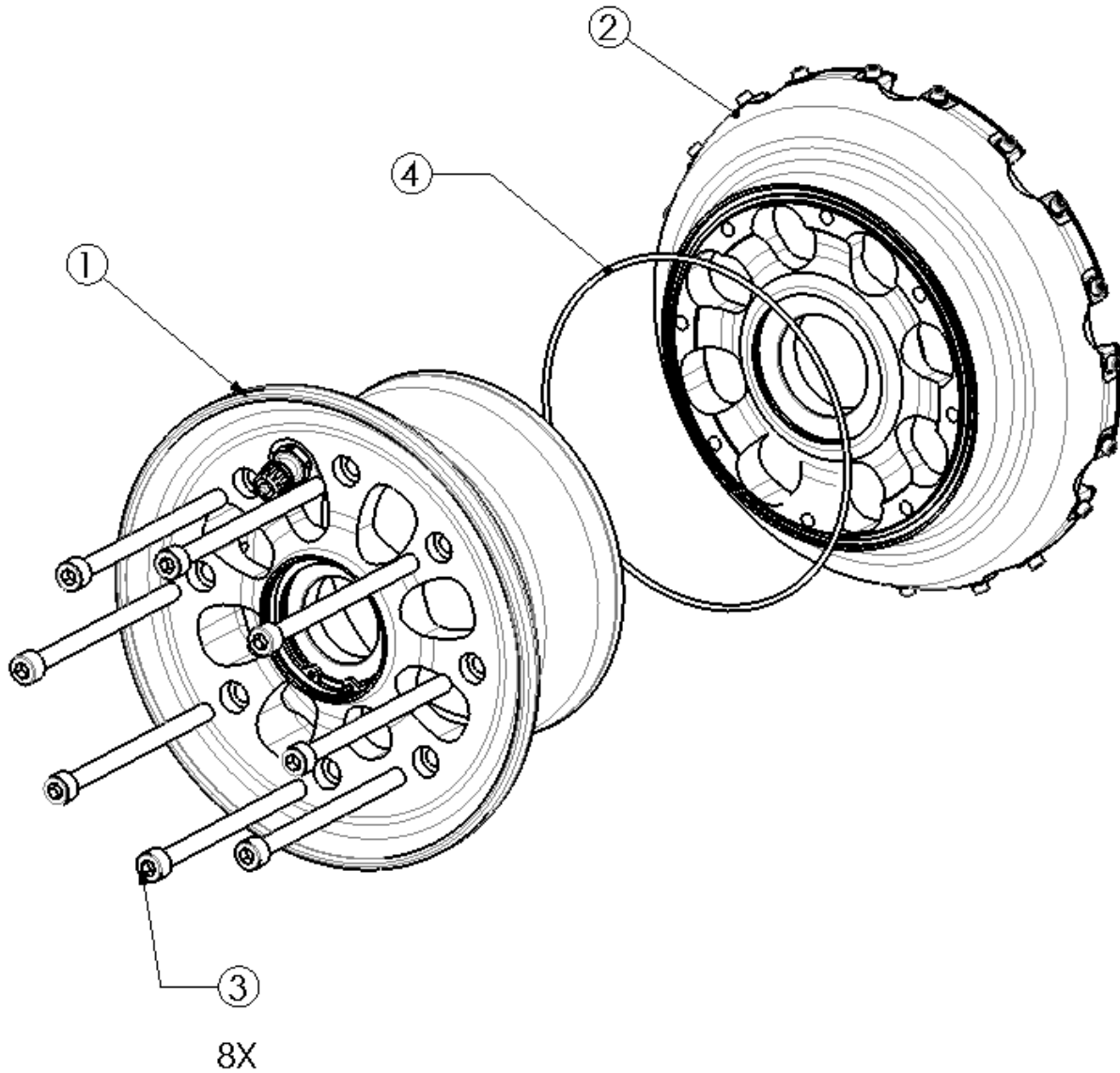
9.55 RF-017.2



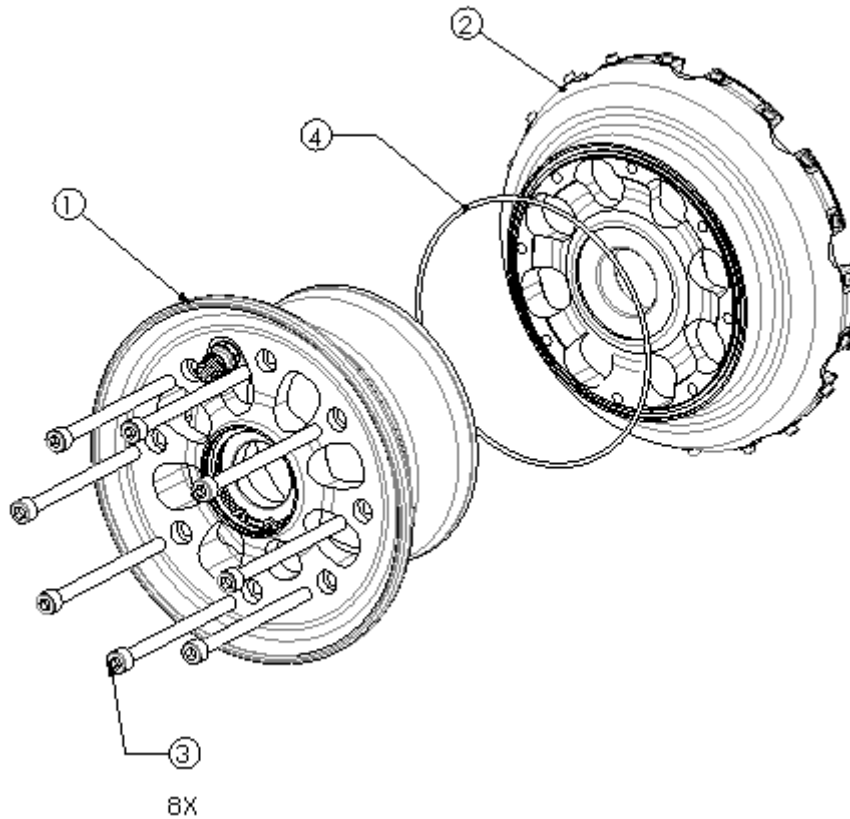
4	V-CHC-009	M6x30 (Q12.9)_Screw/ Vis	10
3	J-JTR-007N	6''_O-Ring	1
2	JI-026	6.00x6'' HL_Inner Wheel Assy/ Assemblage Jante Int	1
1	JE-025.2	Cover 6.00x6'' HL_Outer Wheel Assy / Assemblage Jante Ext	1
REP	PART NUMBER	DESCRIPTION	QTY

9.56 RF-018/RF-018W


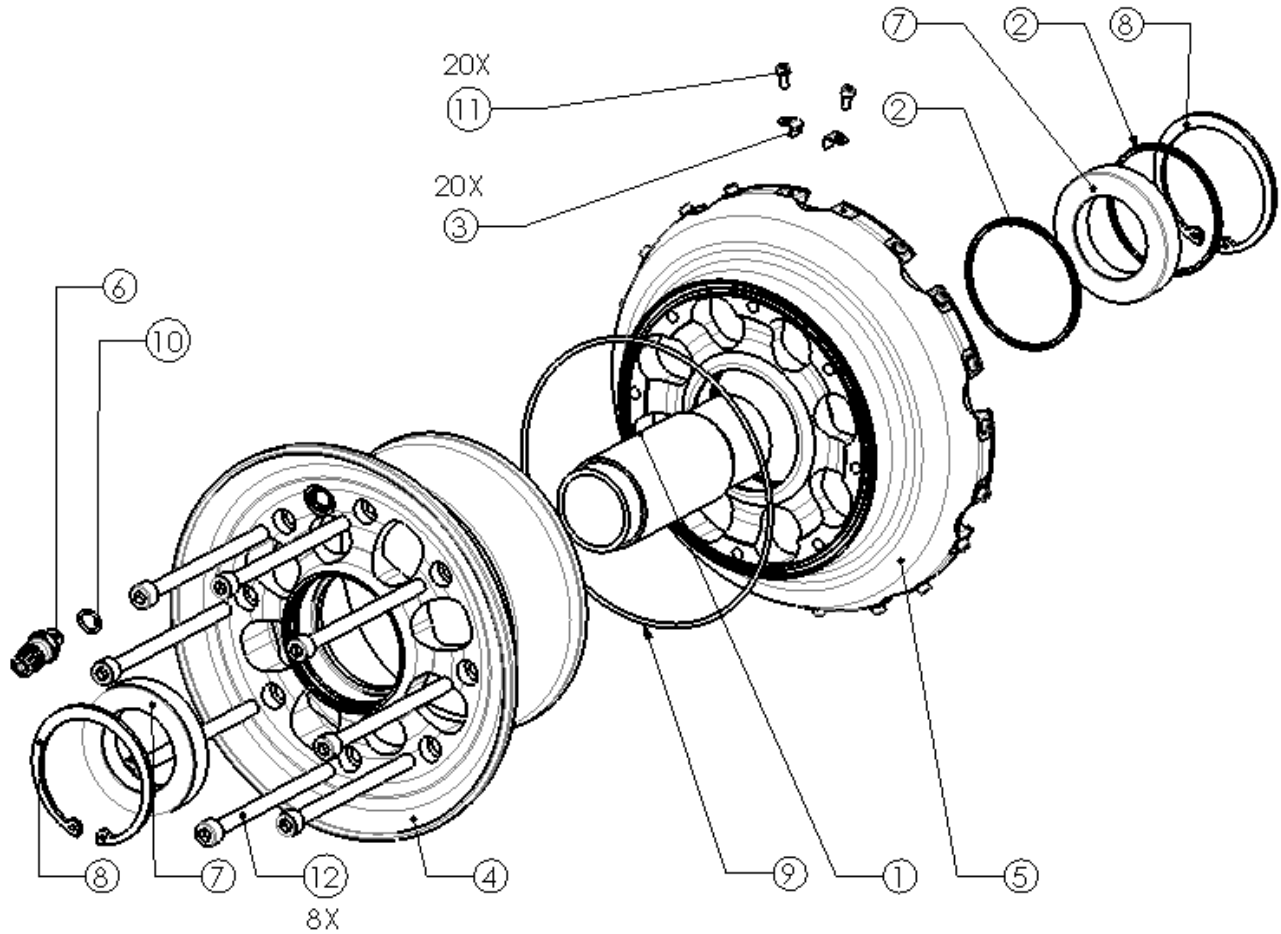
5	ETQ-006.3 (ONLY for RF-018)	Sticker /Etiquette TSOC26d – ETSOC26c (ONLY for RF-018)	1
4	V-CHC-020	M6x80_Assy. Screw/Vis	8
3	J-JTR-006N	O-Ring Wheel 5" / Joint roue 5"	1
2	JE-026 JE-026W	5.00x5" HL (Ø25)_Outer Wheel Assy / Assemblage Jante Ext 5.00x5" HL (Ø25)_Outer Wheel Assy (Stainless Steel Bearings) / Assemblage Jante Ext (Rlts Inox)	1
1	JI-028 JI-028W	5.00x5" HL (Ø30)_Inner Wheel Assy/ Assemblage Jante Int 5.00x5" HL (Ø30)_Inner Wheel Assy (Stainless Steel Bearings) / Assemblage Jante Int (Rlts Inox)	1
REP	PART NUMBER	DESCRIPTION	QTY

9.57 RF-018.1


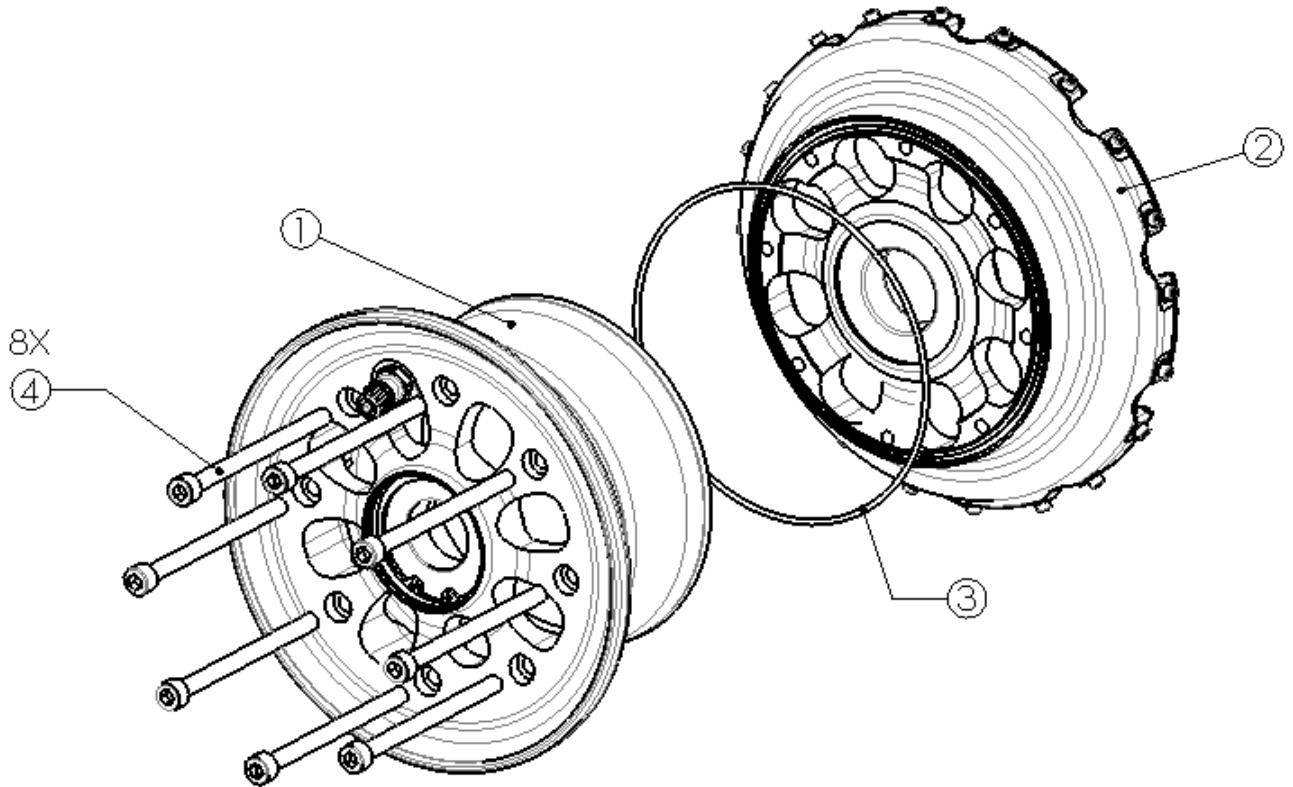
4	J-JTR-006N	O-Ring Wheel 5"/ Joint roue 5"	1
3	V-CHC-020	M6x80_Assy. Screw/Vis	8
2	Jl-028.1	4.00x5" HL (35)_Inner Wheel Assy (Low-profile Bearing)/ Roue Freinée (Rlt Taille Basse)	1
1	JE-026.1	5.00x5" Std (Ø30)_Outer Wheel Assy(Low Profile Bearing)/ Assemblage jante Ext(Rlt Taille Basse)	1
REP	PART NUMBER	DESCRIPTION	QTY

9.58 RF-018.2


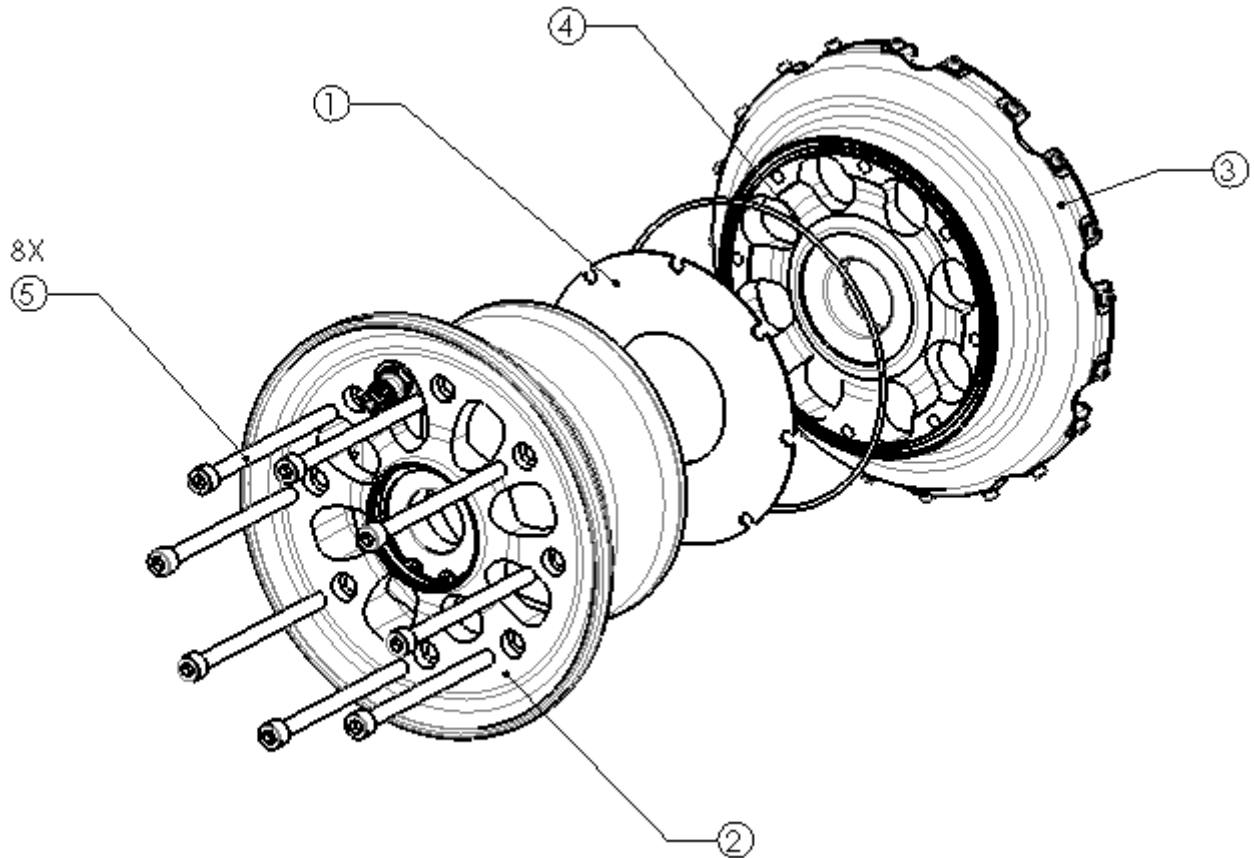
4	J-JTR-006N	O-Ring Wheel 5" / Joint roue 5"	1
3	V-CHC-020	M6x80_Assy. Screw/Vis	8
2	JI-028	5.00x5" HL (Ø30)_Inner Wheel Assy/ Assemblage Jante Int	1
1	JE-026.1	5.00x5" Std (Ø30)_Outer Wheel Assy(Low Profile Bearing)/ Assemblage jante Ext(Rlt Taille Basse)	1
REP	PART NUMBER	DESCRIPTION	QTY

9.59 RF-018.3*


12	V-CHC-020	M6x80_Assy. Screw/ <i>Vis</i>	8
11	V-CHC-005	M3-6(A4)_Clip Screw / <i>Vis Clip</i>	20
10	J-JTR-017N	Valve O-Ring/ <i>Joint Valve</i>	1
9	J-JTR-006N	O-Ring Wheel 5"/ <i>Joint roue 5"</i>	1
8	C-AL-002	Circlip D55	2
7	B-BE-007	Bearing 35-55/ <i>Roulement 35-55</i>	2
6	A-001	Valve	1
5	JAI-028	5"HL_Inner wheel half/ <i>Jante Int</i>	1
4	JAE-026.1	5.00x5" HL Rlt Ø55_Outer wheel half / <i>Jante ext</i>	1
3	CLP-002	Clip 4 ",5 "	20
2	BGE-015	Bearing Spacer 55/ <i>Entretoise Rlt 55</i>	2
1	AV-GARD-002	Gardan 5.00x5 HE_ Sleeve/ <i>Entretoise</i>	1
REP	PART NUMBER	DESCRIPTION	QTY

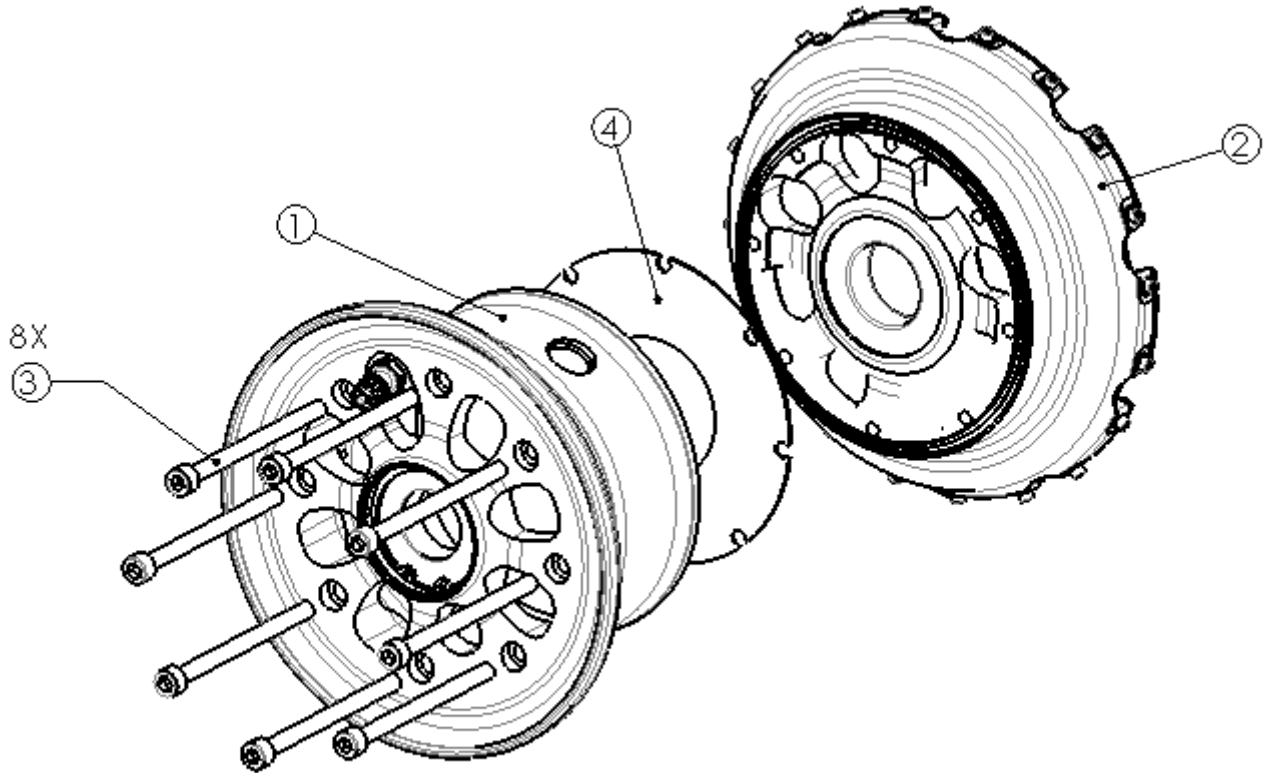
9.60 RF-019/RF-019W


4	V-CHC-020	M6x80_Assy. Screw/Vis	8
3	J-JTR-006N	O-Ring Wheel 5"/ Joint roue 5"	1
2	JI-030/ JI-030W	5.00x5" Std (Ø30)_Inner Wheel Assy/ Assemblage Jante Int 5.00x5" Std (Ø30)_Inner Wheel Assy (Stainless Steel bearings)/ Assemblage Jante Int (Rlts Inox)	1
1	JE-026/ JE-026W	5.00x5" HL (Ø25)_Outer Wheel Assy / Assemblage Jante Ext 5.00x5" HL (Ø25)_Outer Wheel Assy (Stainless Steel bearings) / Assemblage Jante Ext (Rlts Inox)	1
REP	PART NUMBER	DESCRIPTION	QTY

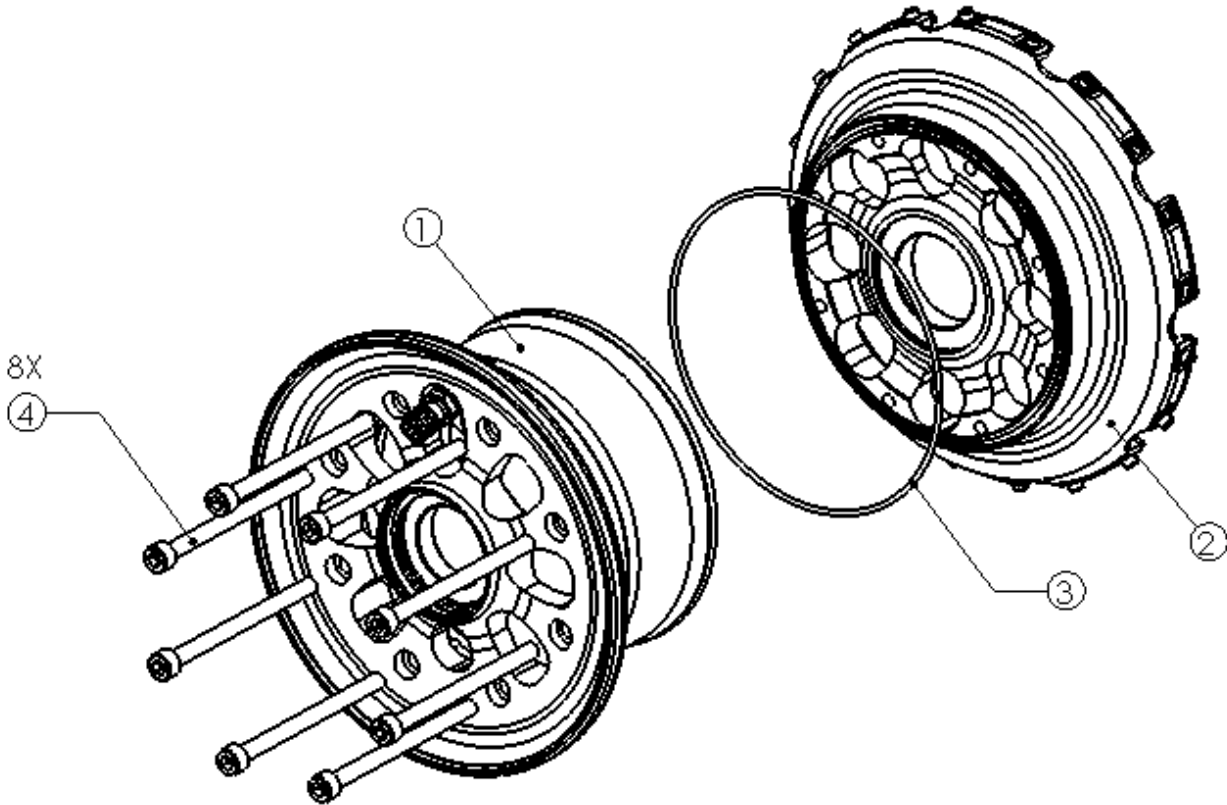
9.61 RF-019.1


5	V-CHC-020	M6x80_Assy. Screw/Vis	8
4	J-JTR-006N	O-Ring Wheel 5"/ Joint roue 5"	1
3	JI-030	5.00x5" Std (Ø30)_Inner Wheel Assy/ Assemblage Jante Int	1
2	JE-026	5.00x5 " HL (Ø25)_Outer Wheel Assy / Assemblage Jante Ext	1
1	CLN-002	5''_Barrier plate/ Cloison	1
REP	PART NUMBER	DESCRIPTION	QTY

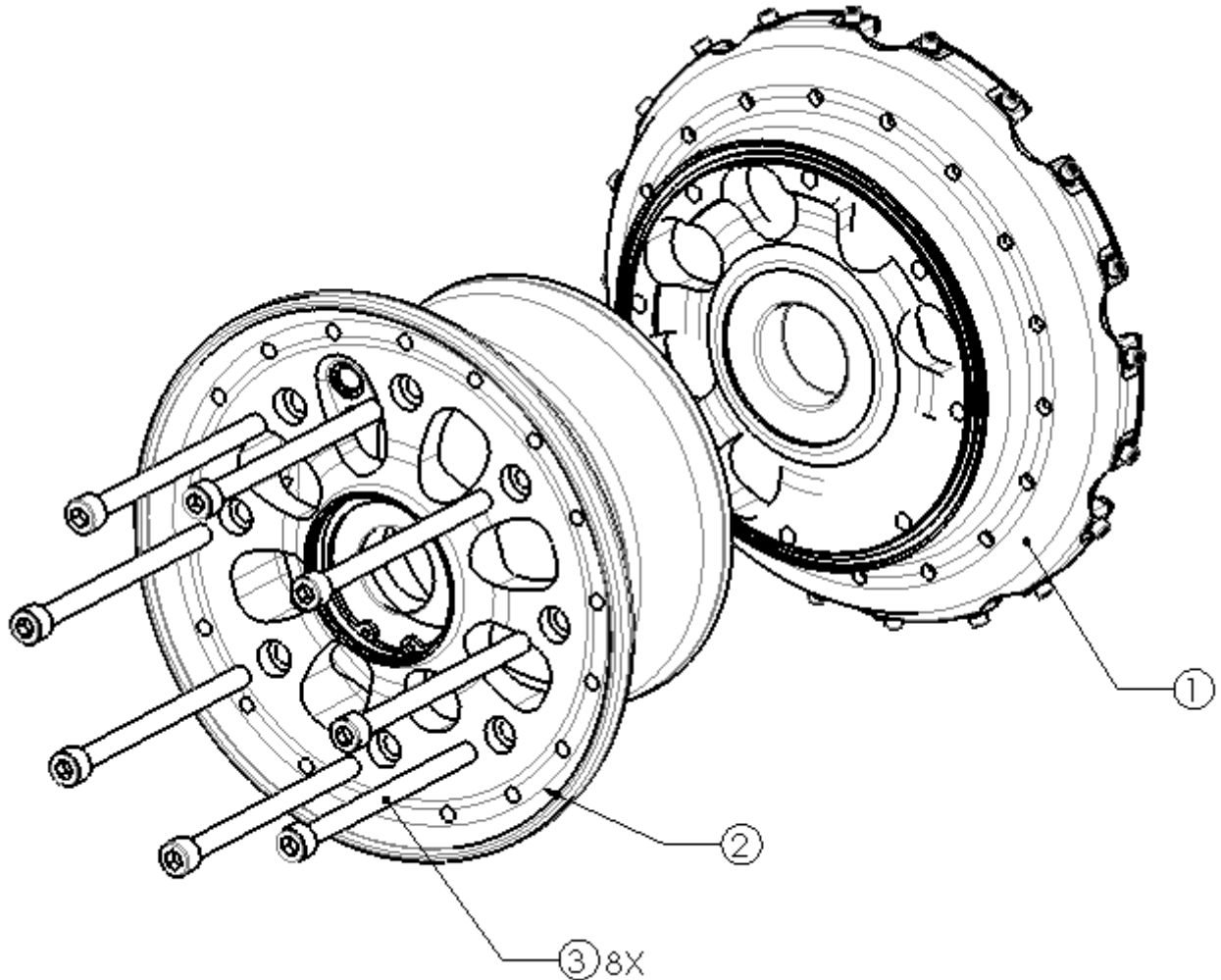
9.62 RF-019.2



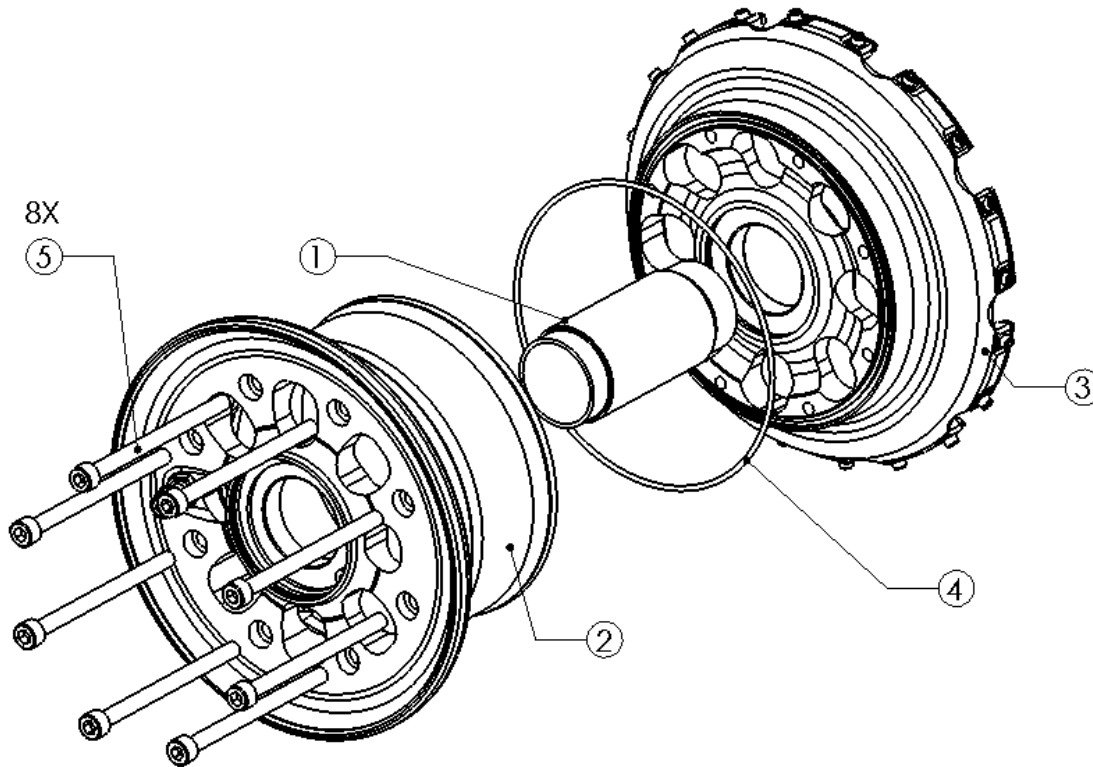
4	CLN-002	5''_Barrier plate/ Cloison	1
3	V-CHC-020	M6x80_Assy. Screw/Vis	8
2	JI-030	5.00x5'' Std (Ø30)_Inner Wheel Assy/ Assemblage Jante Int	1
1	JE-026.2	5.00x5'' Tube Type_Outer Wheel Assy/Assemblage Jante Ext	1
REP	PART NUMBER	DESCRIPTION	QTY

9.63 RF-019.3


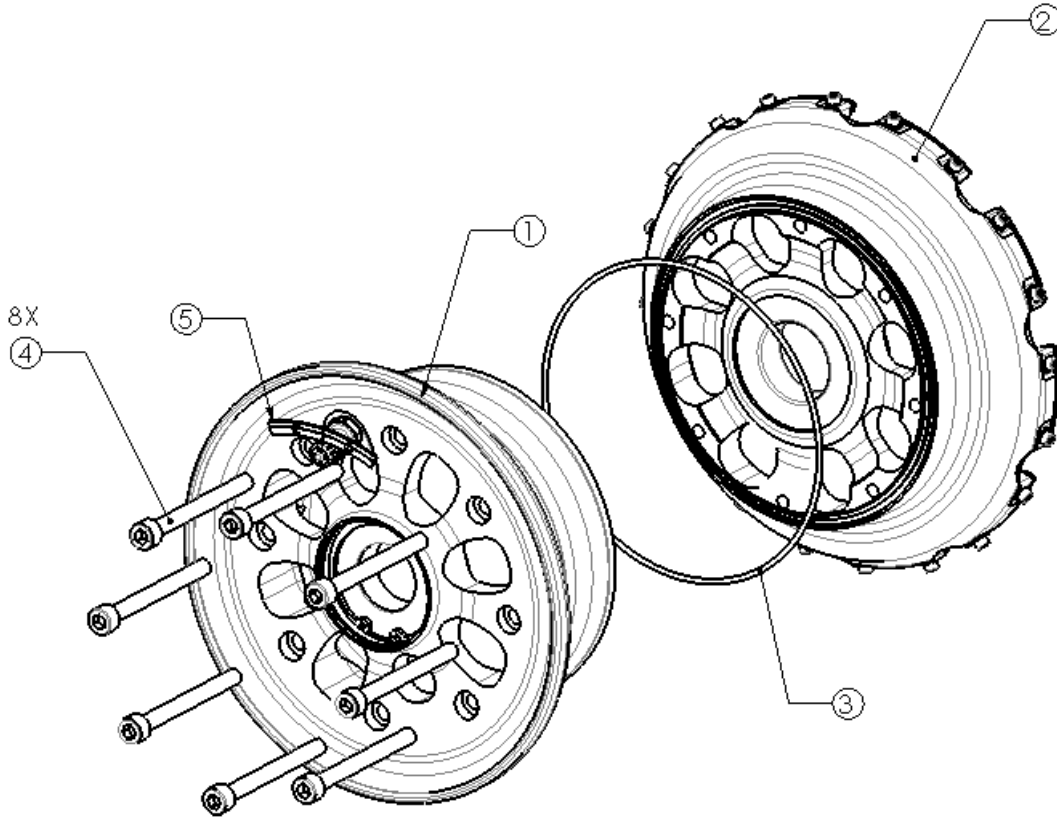
4	V-CHC-020	M6x80_Assy. Screw/Vis	8
3	J-JTR-006N	O-Ring Wheel 5''/ Joint roue 5''	1
2	JI-030.1	5.00x5'' Std (Ø35) Inner Wheel Assy (Low Profile Bearing)/ Assemblage Jante Int (Rlt Taille Basse)	1
1	JE-026.1	5.00x5'' Std (Ø30)_Outer Wheel Assy(Low Profile Bearing)/ Assemblage jante Ext(Rlt Taille Basse)	1
REP	PART NUMBER	DESCRIPTION	QTY

9.64 RF-019.4


3	V-CHC-020	M6x80_Assy. Screw/Vis	8
2	JE-026.4	5.00x5'' Std (Ø25)_Outer Wheel Assy (for spoke)/ Assemblage jante Ext (à rayon)	1
1	Jl-030.4	5.00x5'' (Ø30)Std Inner Wheel Assy (Spoke) / Assemblage Jante Int (à rayon)	1
REP	PART NUMBER	DESCRIPTION	QTY

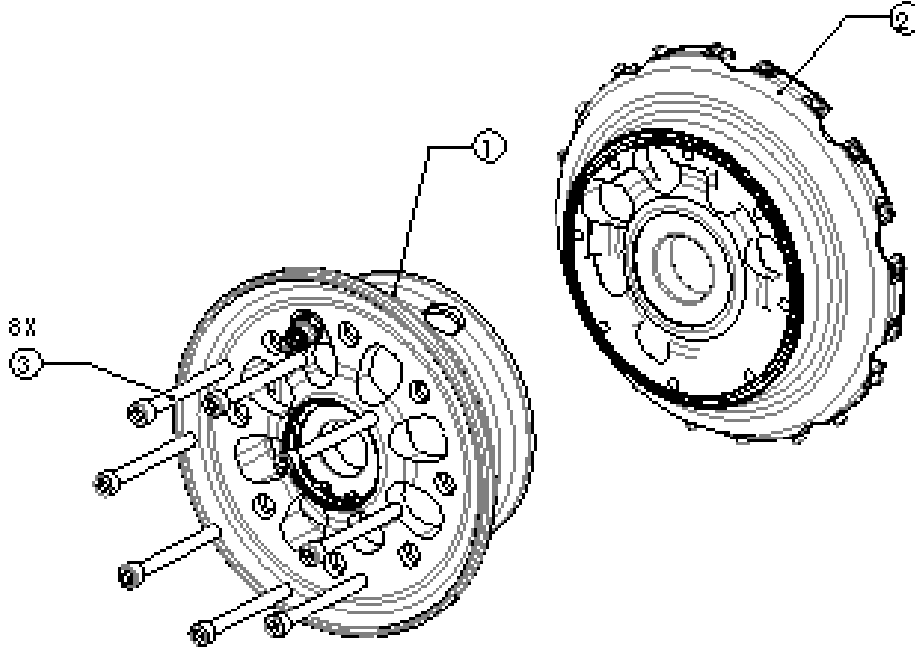
9.65 RF-019.6


5	V-CHC-020	M6x80_Assy. Screw/Vis	8
4	J-JTR-006N	O-Ring Wheel 5''/ Joint roue 5''	1
3	Jl-030.1	5.00x5'' Std (Ø35) Inner Wheel Assy (Low Profile Bearing)/ Assemblage Jante Int (Rlt Taile Basse)	1
2	JE-028	5.00x5'' HL (35)_Main Wheel Assy./Roue freinée	1
1	AV-VANS-003	Ø35-Ø31.75_Sleeve / Entretoise	1
REP	PART NUMBER	DESCRIPTION	QTY

9.66 RF-020/RF-020W


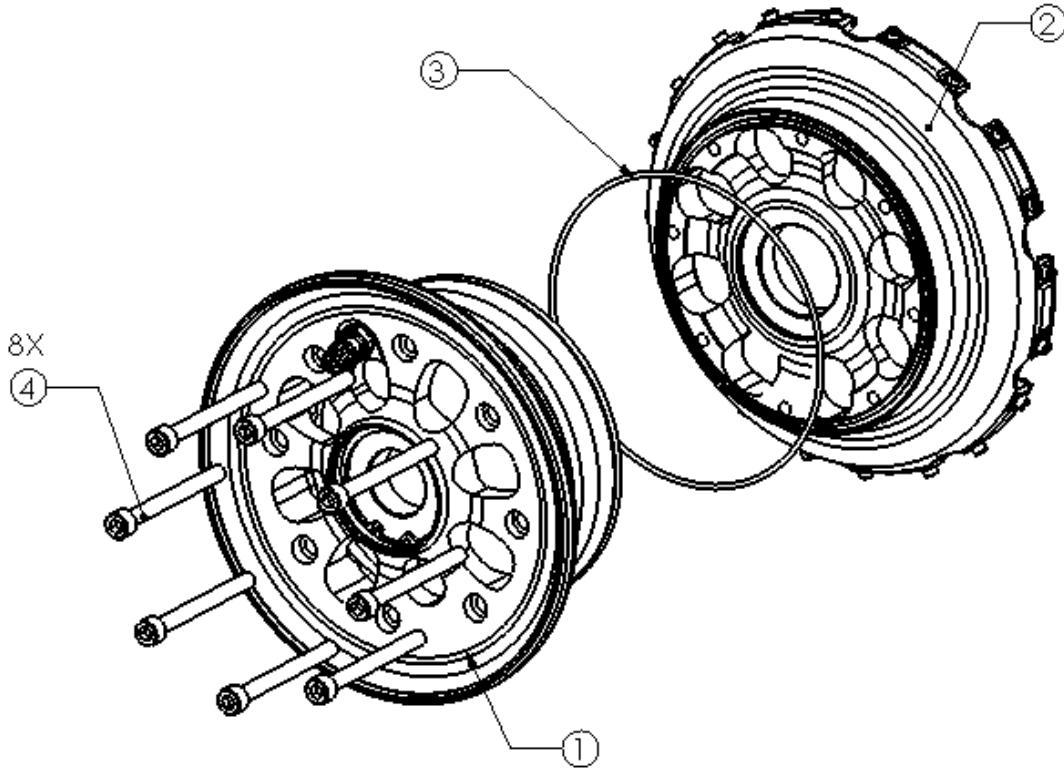
5	ETQ-033	Stick for JAE-027 on RF-020 / Etiquette pour JAE-027 sur RF-020	1
4	V-CHC-035	M6x60_Assy. Screw/Vis	8
3	J-JTR-006N	O-Ring Wheel 5'' / Joint roue 5''	1
2	JI-030 / JI-030W	5.00x5'' Std (Ø30)_Inner Wheel Assy/ Assemblage Jante Int 5.00x5'' Std (Ø30)_Inner Wheel Assy (Stainless steel bearing)/ Assemblage Jante Int (Rlts Inox)	1
1	JE-027 / JE-027W	4.00x5'' Std (Ø25)_Outer Wheel Assy / Assemblage Jante Ext 4.00x5'' Std (Ø25)_Outer Wheel Assy (Stainless Steel Bearings) / Assemblage Jante Ext (Rlts Inox)	1
REP	PART NUMBER	DESCRIPTION	QTY

9.67 RF-020.1

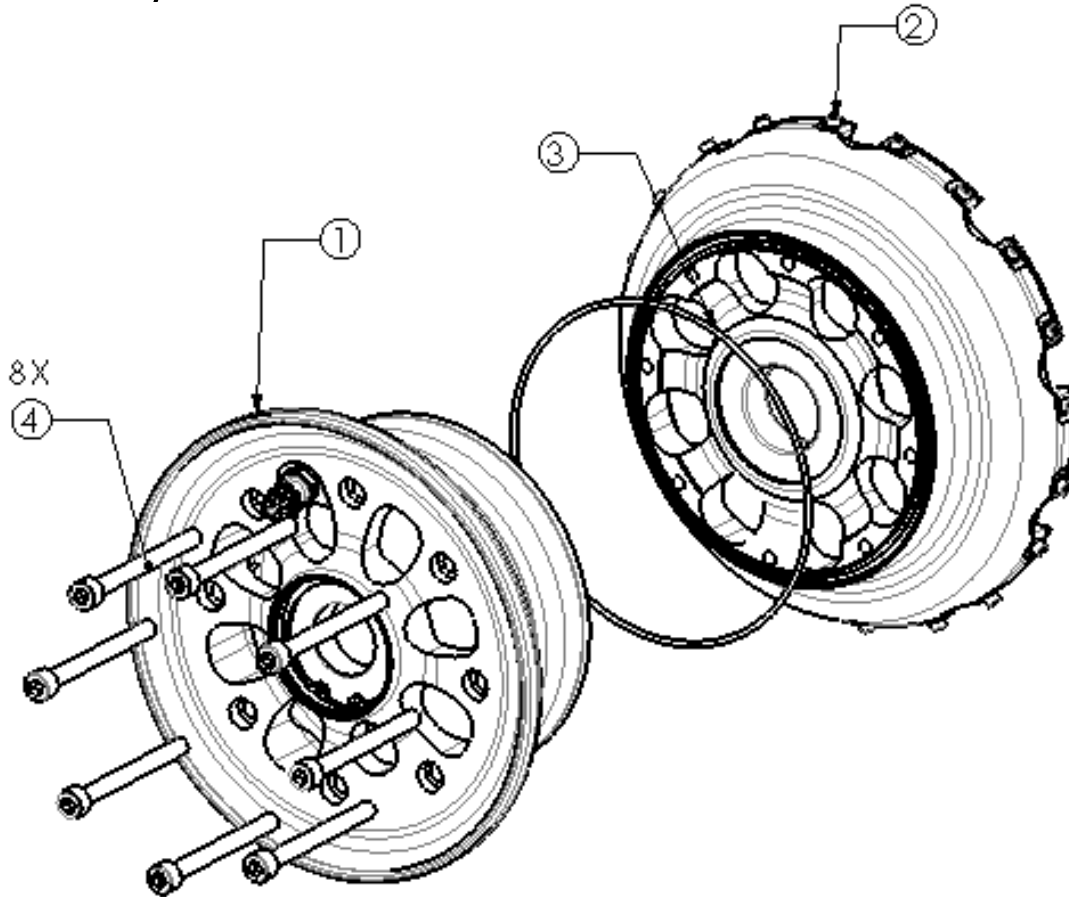


3	V-CHC-035	M6x60_Assy. Screw/Vis	8
2	JI-030	5.00x5'' Std (Ø30)_Inner Wheel Assy/ Assemblage Jante Int	1
1	JE-027.2	4.00x5'' Tube Type (Ø25)_Outer Wheel Assy/ Assemblage Jante Ext	1
REP	PART NUMBER	DESCRIPTION	QTY

9.68 RF-020.2

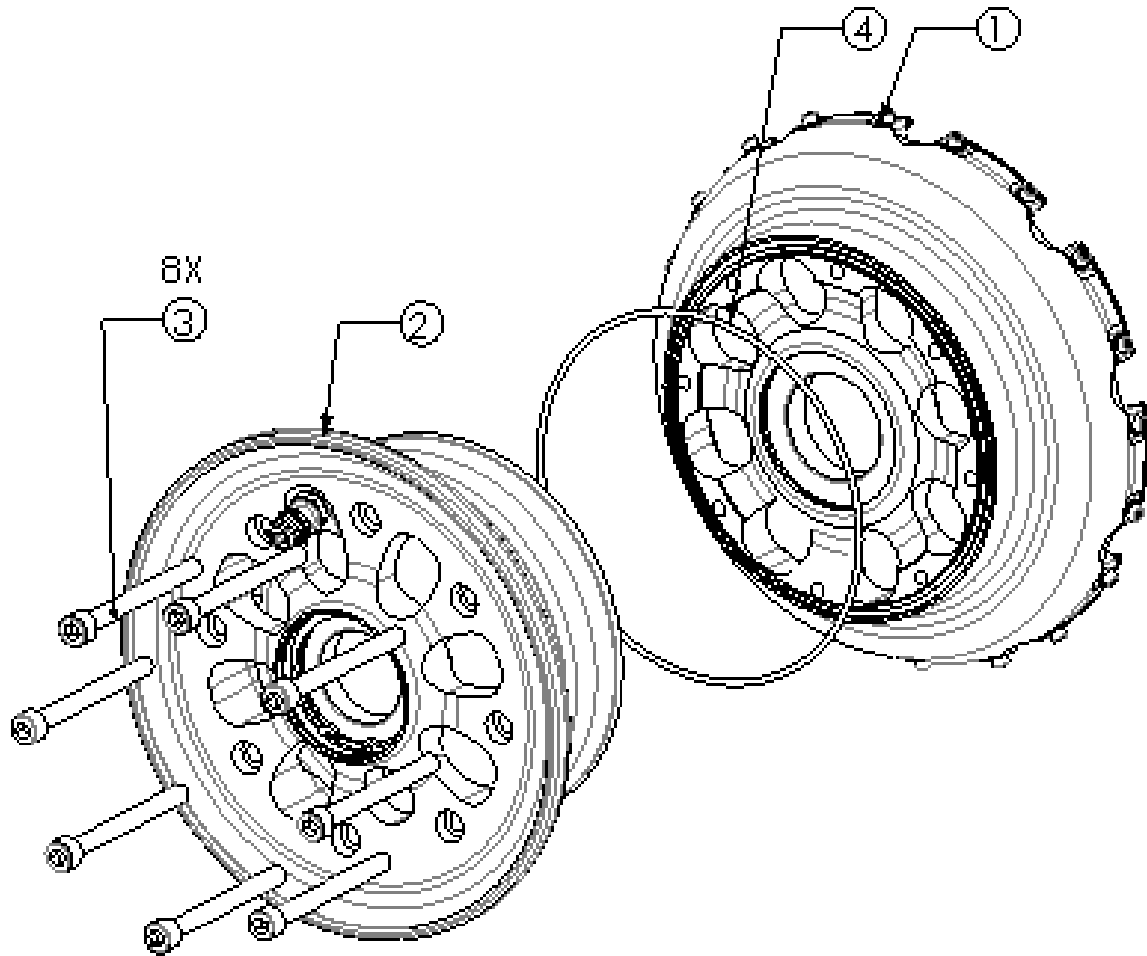


4	V-CHC-035	M6x60_Assy. Screw/Vis	8
3	J-JTR-006N	O-Ring Wheel 5''/ Joint roue 5''	1
2	Jl-030.1	5.00x5'' Std (Ø35) Inner Wheel Assy (Low Profile Bearing)/ Assemblage Jante Int (Rlt Taile Basse)	1
1	JE-027	4.00x5'' Std (Ø25)_Outer Wheel Assy/ Assemblage Jante Ext	1
REP	PART NUMBER	DESCRIPTION	QTY

9.69 RF-021/RF-021W


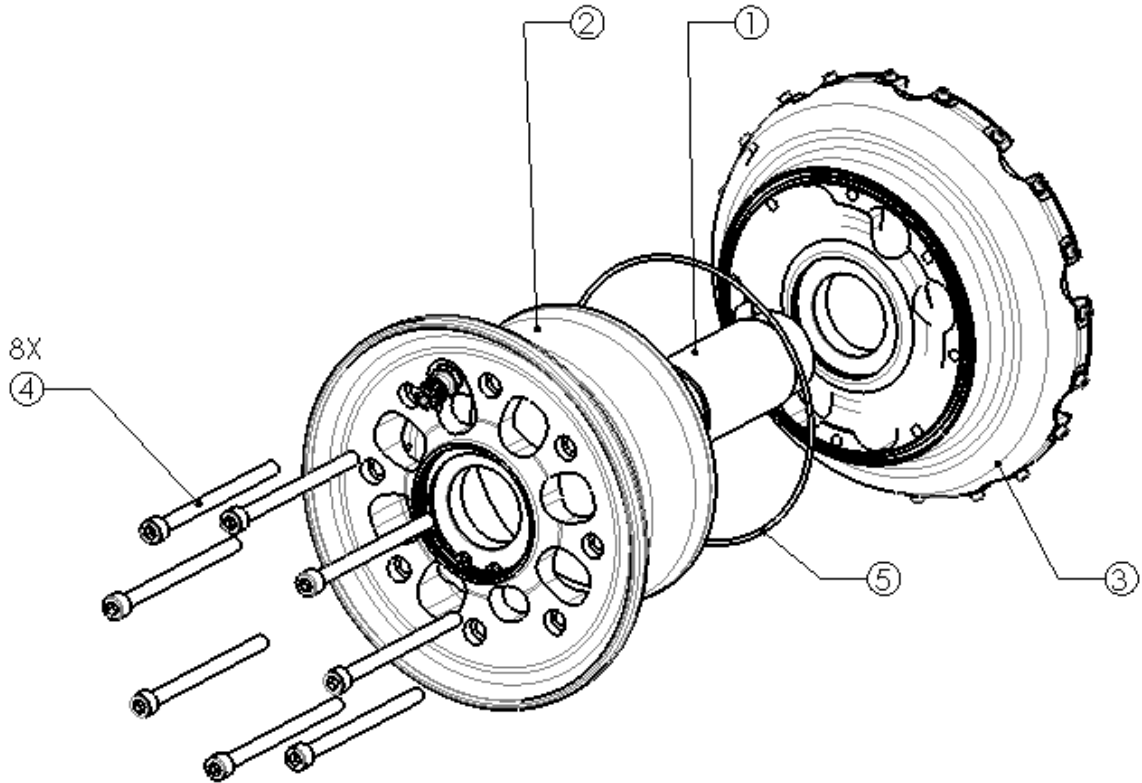
4	V-CHC-035	M6x60_Assy. Screw/Vis	8
3	J-JTR-006N	O-Ring Wheel 5"/ Joint roue 5"	1
2	JI-028 / JI-028W	5.00x5'' HL (Ø30)_Inner Wheel Assy/ Assemblage Jante Int 5.00x5'' HL (Ø30)_Inner Wheel Assy (Stainless Steel Bearings)/ Assemblage Jante Int (Rlts Inox)	1
1	JE-027 / JE-027W	4.00x5'' Std (Ø25)_Outer Wheel Assy/ Assemblage Jante Ext 4.00x5'' Std (Ø25)_Outer Wheel Assy (Stainless Steel Bearings) / Assemblage Jante Ext (Rlts Inox)	1
REP	PART NUMBER	DESCRIPTION	QTY

9.70 RF-021.1

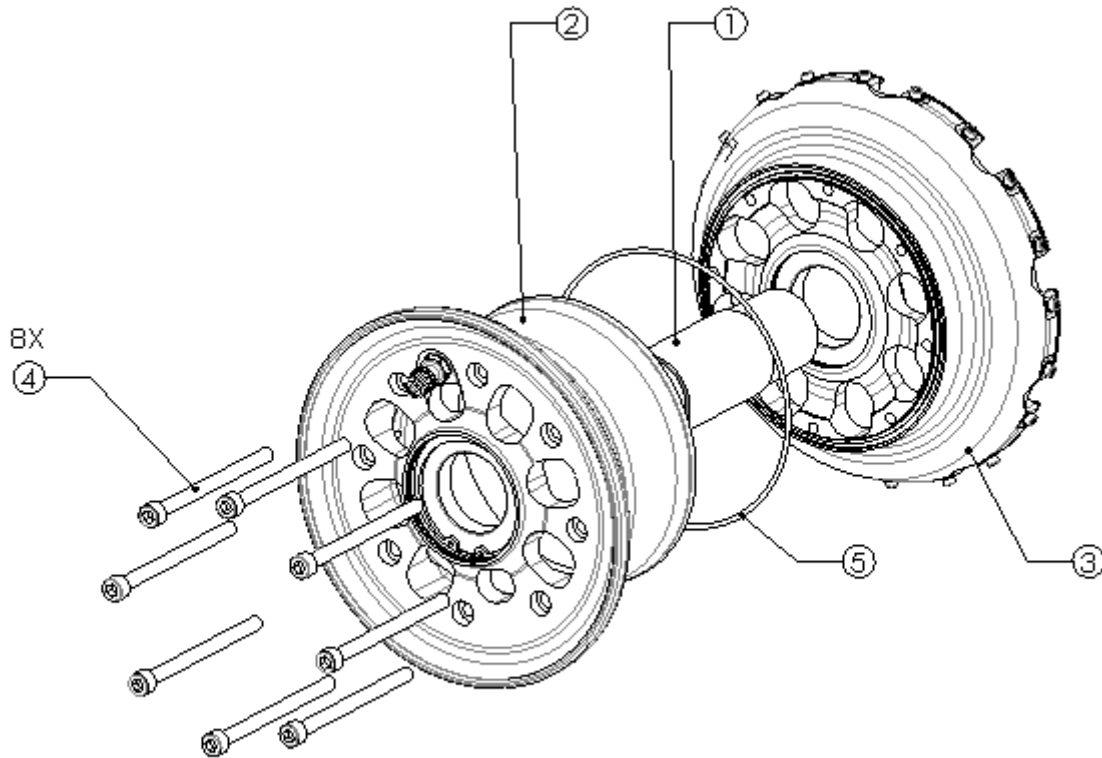


4	J-JTR-006N	O-Ring Wheel 5''/ Joint roue 5''	1
3	V-CHC-035	M6x60_Assy. Screw/Vis	8
2	JE-027.1	4.00x5'' HL (Ø30)_Outer Wheel Assy (Low-profile Bearing) / Roue Freinée (Rlt Taille Basse)	1
1	JI-028.1	4.00x5'' HL (35)_Inner Wheel Assy (Low-profile Bearing)/ Roue Freinée (Rlt Taille Basse)	1
REP	PART NUMBER	DESCRIPTION	QTY

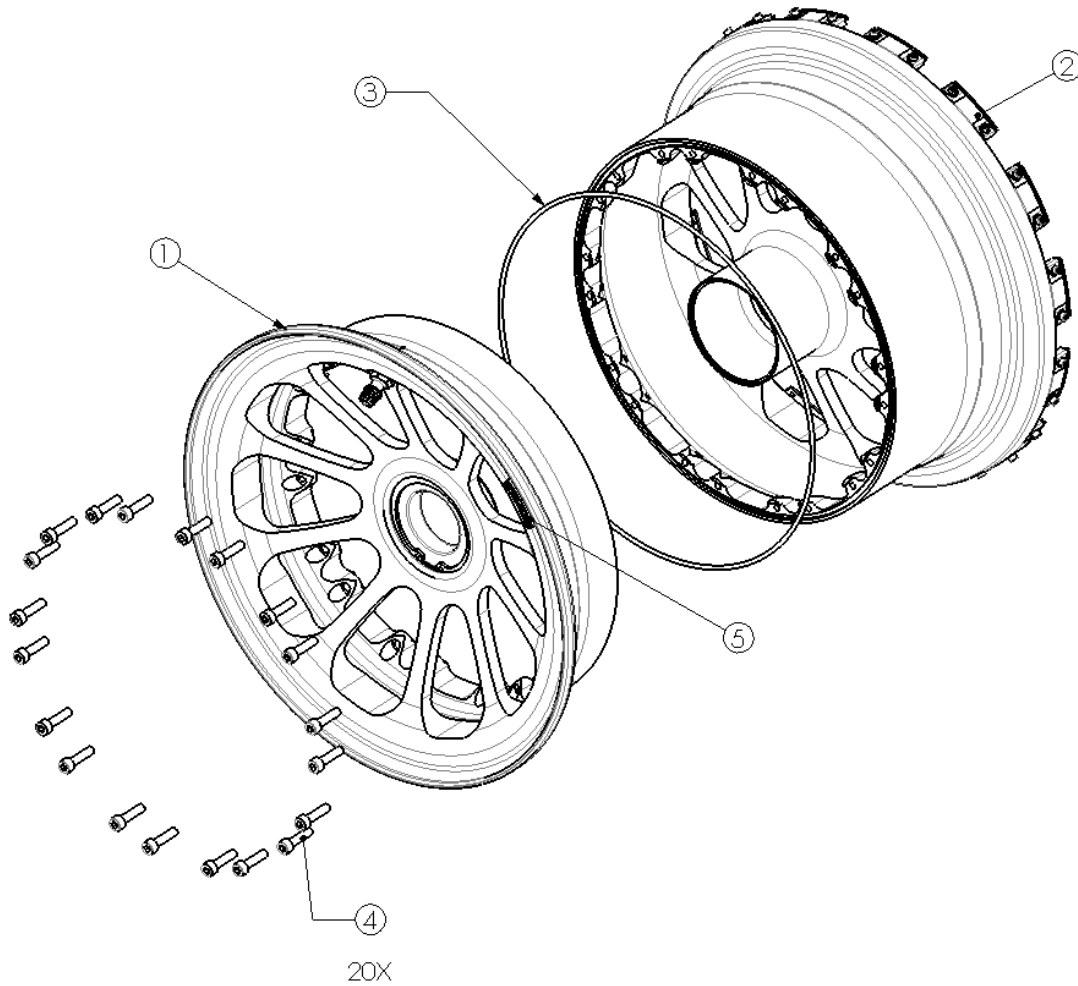
9.71 RF-022



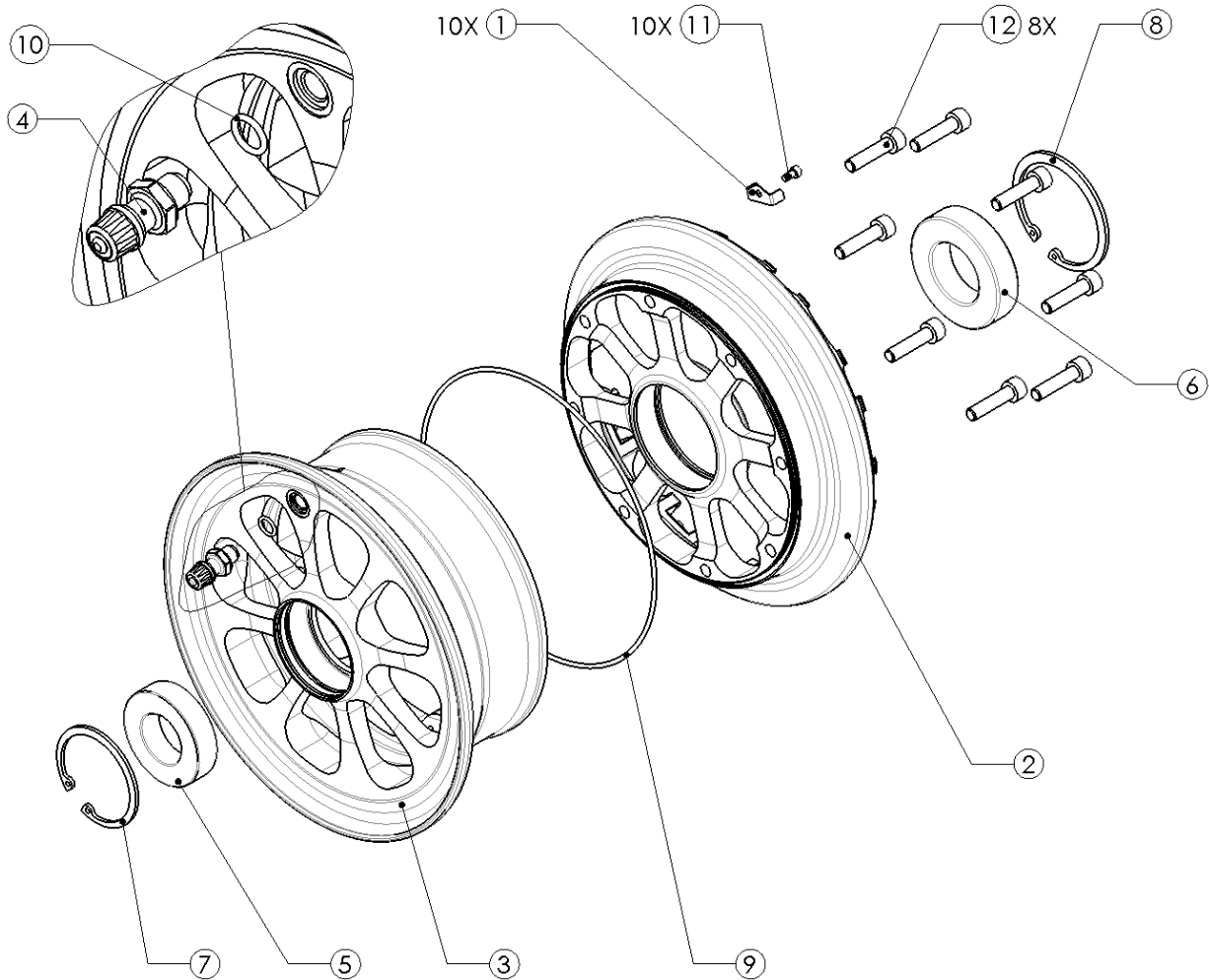
5	J-JTR-006N	O-Ring Wheel 5''/ Joint roue 5''	1
4	V-CHC-020	M6x80_Assy. Screw/Vis	8
3	JI-028.1	4.00x5'' HL (35)_Inner Wheel Assy (Low-profile Bearing)/ Roue Freinée (Rlt Taille Basse)	1
2	JE-028	5.00x5'' HL (35)_Main Wheel Assy./Roue freinée	1
1	AV-VANS-003	∅35-∅31.75_ Sleeve / Entretoise	1
REP	PART NUMBER	DESCRIPTION	QTY

9.72 RF-022.1


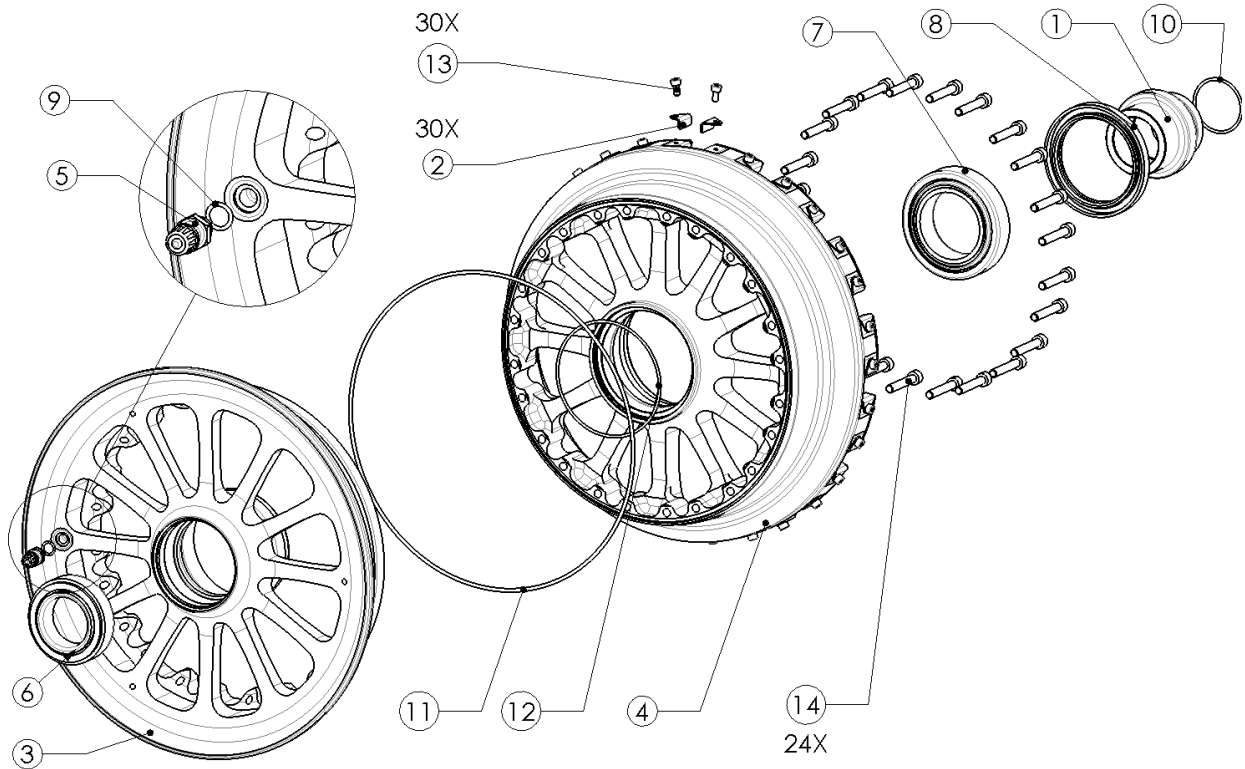
5	J-JTR-006N	O-Ring Wheel 5"/ Joint roue 5"	1
4	V-CHC-020	M6x80_Assy. Screw/Vis	8
3	JI-028.1	4.00x5" HL (35)_Inner Wheel Assy (Low-profile Bearing)/ Roue Freinée (Rlt Taille Basse)	1
2	JE-028	5.00x5" HL (35)_Main Wheel Assy./Roue freinée	1
1	BGE-049	RF-021.1_Sleeve / Entretoise	1
REP	PART NUMBER	DESCRIPTION	QTY

9.73 RF-024


5	ETQ-006(B)	Etiquette TSO C26d - ETSO C26d	1
4	V-CHC-052	Screw M5x20/Vis M5x20	20
3	J-JTR-040N	8.50x10''_O-ring/Joint torique	1
2	JI-031	8.50x10'' LE_Inner Wheel Assy / Assemblage Jante Int	1
1	JE-029	8.50x10'' LE_Outer Wheel Assy / Assemblage Jante Ext	1
REP	PART NUMBER	DESCRIPTION	QTY

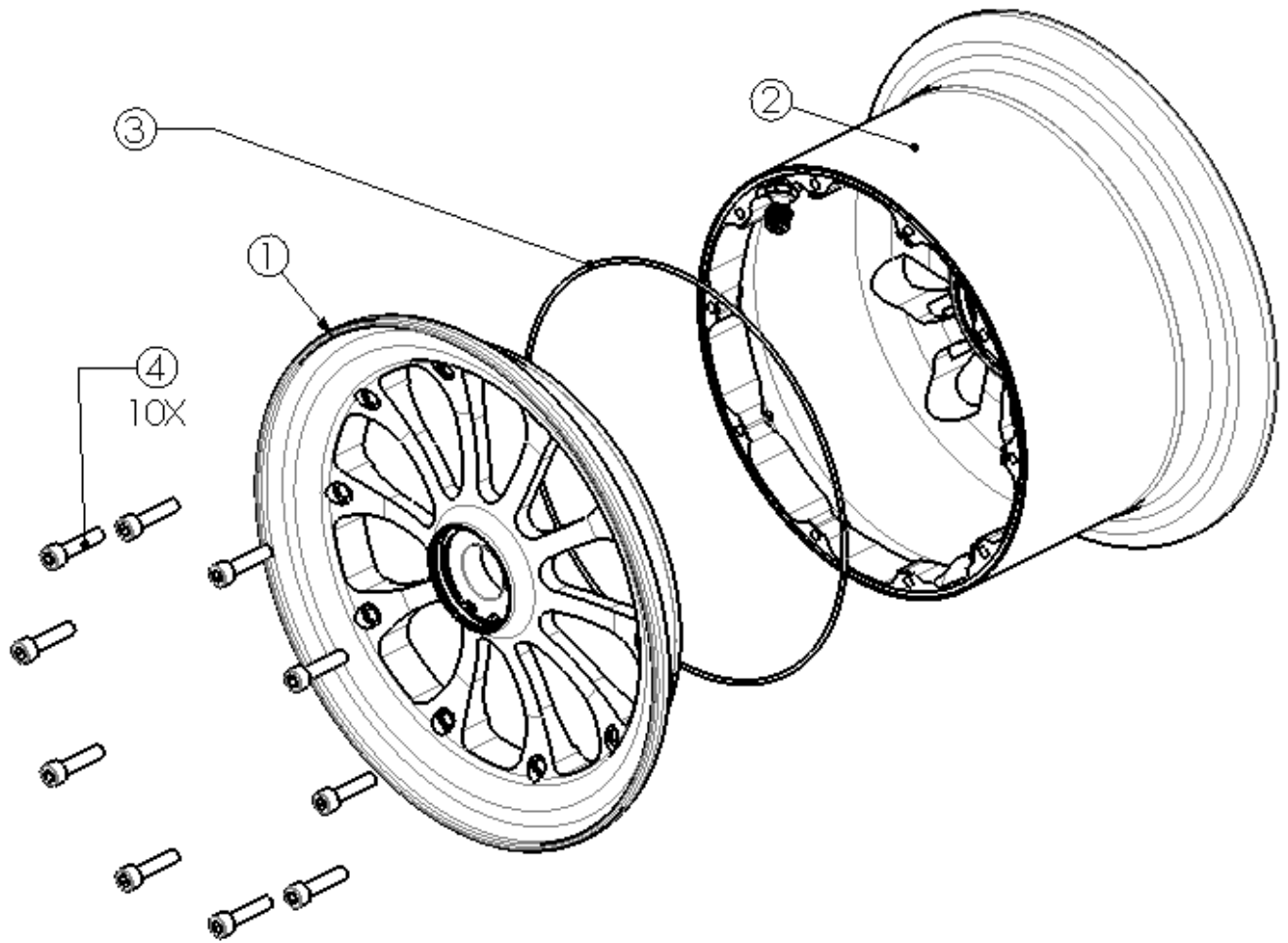
9.74 RF-025*


12	V-CHC-008	M6-25 (Q12.9)_Screw / Vis	8
11	V-CHC-005	M3-6(A4)_Clip Screw / Vis Clip	10
10	J-JTR-017N	Valve O-Ring/ Joint Valve	1
9	J-JTR-007N	6''_O-Ring	1
8	C-AL-002	Circlip D55	1
7	C-AL-001	Circlip D47	1
6	B-BE-002W	D55_Bearing Stainless steel/Roulement inox	1
5	B-BE-001W	D47_Bearing Stainless steel/Roulement inox	1
4	A-001	Valve	1
3	JAE-030	4.00x6'' SLA_Outer wheel half/ Jante Ext	1
2	JAI-033	6'' SLA_Inner wheel half/Jante Int	1
1	CLP-004	Clip 6''SL	10
REP	PART NUMBER	DESCRIPTION	QTY

9.75 RF-027*


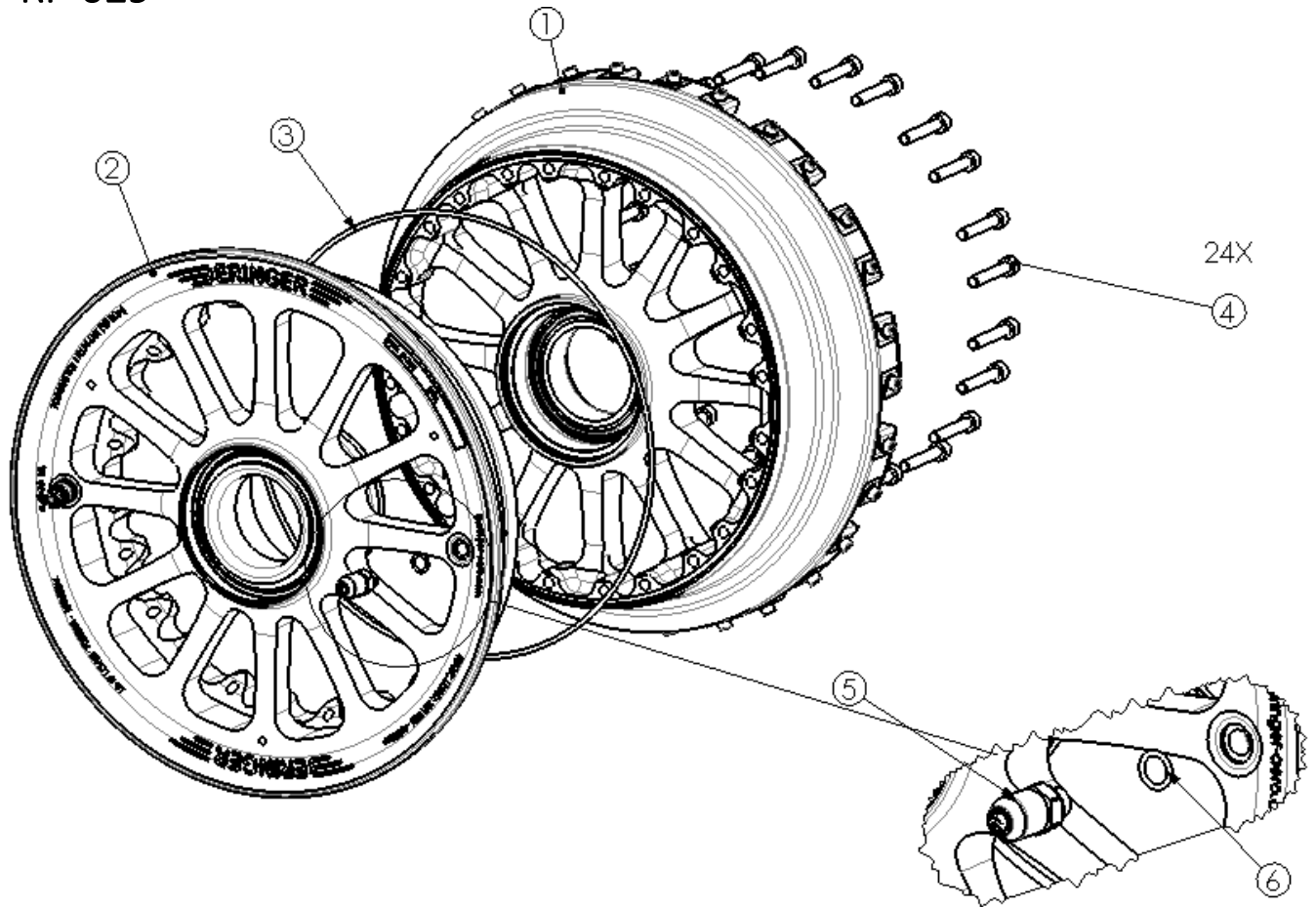
14	V-CHC-030	M6x35(Q12.9)_Screw/Vis Chc	24
13	V-CHC-010	M4x8 (A4)_Clip Screw/ Vis Chc	30
12	J-JTR-052N	10'' HL_Int O-Ring/ Joint torique Int	1
11	J-JTR-040N	8.50x10''_O-ring/Joint torique	1
10	J-JTR-025N	BGE-020 &BGE-045.1_O-Ring/Joint torique	1
9	J-JTR-017N	Valve O-Ring/ Joint Valve	1
8	J-JBE-007N	B-RC-006_Lipseal/ Joint à Lèvre	1
7	B-RC-006	D54.8_Bearing/Roulement	1
6	B-RC-008	D65.09_Bearing / Roulement	1
5	A-001	Valve	1
4	JAI-036	Wheel 10'' HL_Inner Wheel Half/ Jante Int	1
3	JAE-032	Wheel 4.40x10'' HL_Outer wheel half/ Jante Extérieur	1
2	CLP-009	Clip 10'' HL	30
1	BGE-045.1	EA-011.1 _Spacer/ Bague de Calage	1
REP	PART NUMBER	DESCRIPTION	QTY.

9.76 RF-028



4	V-CHC-008	M6-25 (Q12.9)_Screw / Vis	10
3	J-JTR-024N	18x5.5_O-Ring/ Joint Torique Ext	1
2	JI-037	7.00x8''SL_Inner Wheel Assy / Assemblage Jante Int	1
1	JE-035	7.00x8''SL_Outer Wheel Assy / Assemblage Jante Ext	1
REP	PART NUMBER	DESCRIPTION	QTY

9.77 RF-029

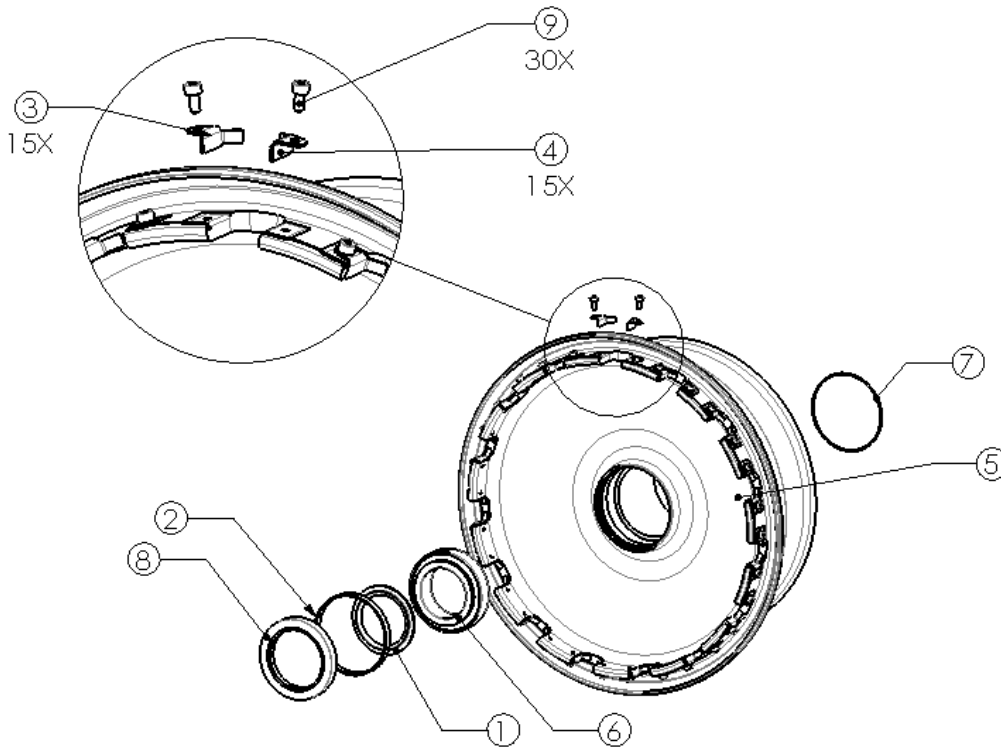


6	J-JTR-017N	Valve O-Ring/ Joint Valve	1
5	OP-001.XX	Over Pressure / Valve de Surpression	1
4	V-CHC-030	M6x35(Q12.9)_Screw/Vis Chc	24
3	J-JTR-040N	8.50x10''_O-ring/Joint torique	1
2	JE-033	Wheel 4.40x10'' HL_Outer Wheel Assy/Assemblage Jante Ext	1
1	JI-036	Wheel 4.40x10'' HL_Inner Wheel Assy/Assemblage Jante Int	1
REP	PART NUMBER	DESCRIPTION	QTY

10 Illustrated Part Catalogue (Wheel Assy)

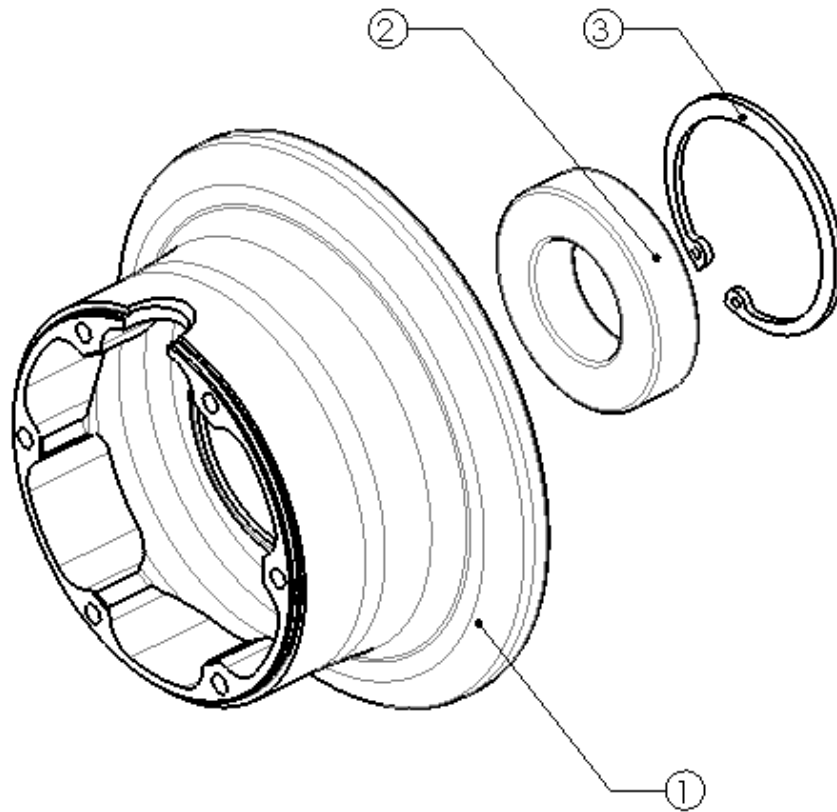
10.1 Outer Wheel Assy JE

10.1.1 JI-004



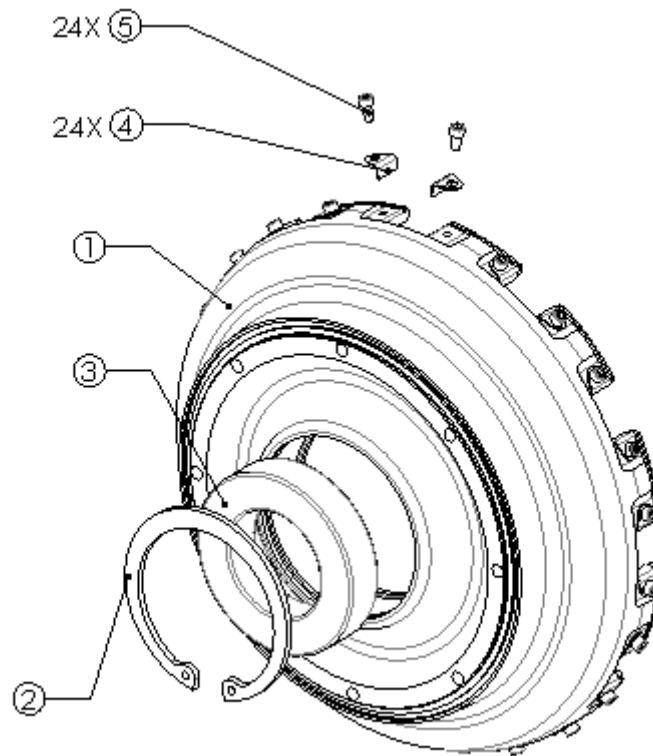
9	V-CHC-010	M4x8 (A4)_Clip Screw/ Vis Chc	30
8	J-JBE-002N	D80_Lipseal/Joint d'étanchéité	1
7	J-JTR-009N	BCH-001_O-Ring /Joint torique	1
6	B-RC-002	D72_Outer Bearing/ Rlt à rouleaux conique	1
5	JAI-004	11.00-12''_Inner Wheel Half/Jante Int	1
4	CLP-003R	11.00x12''_Right Clip	15
3	CLP-003L	11.00x12''_Left Clip	15
2	BGE-004	B-RC-002_Lipseal Spacer/Bague de calage	1
1	BGE-002	B-RC-002_Bearing Spacer/Bague calage Rlt	1
REP	PART NUMBER	DESCRIPTION	QTY.

10.1.2 JI-005

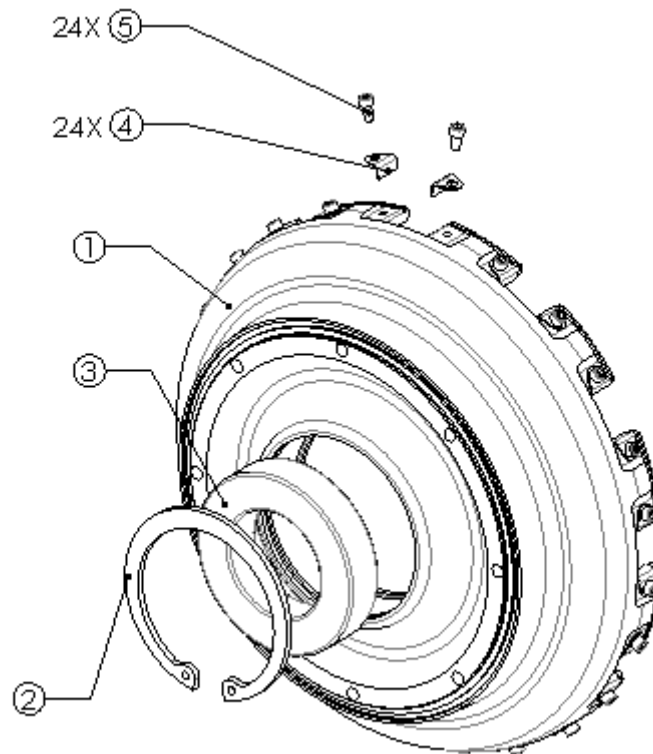


3	C-AL-002	Circlip D55	1
2	B-BE-002	D55_Bearing/Roulement	1
1	JAI-005	5.00x4''_Inner Wheel half/Jante int	1
REP	PART NUMBER	DESCRIPTION	QTY.

10.1.3 JI-012

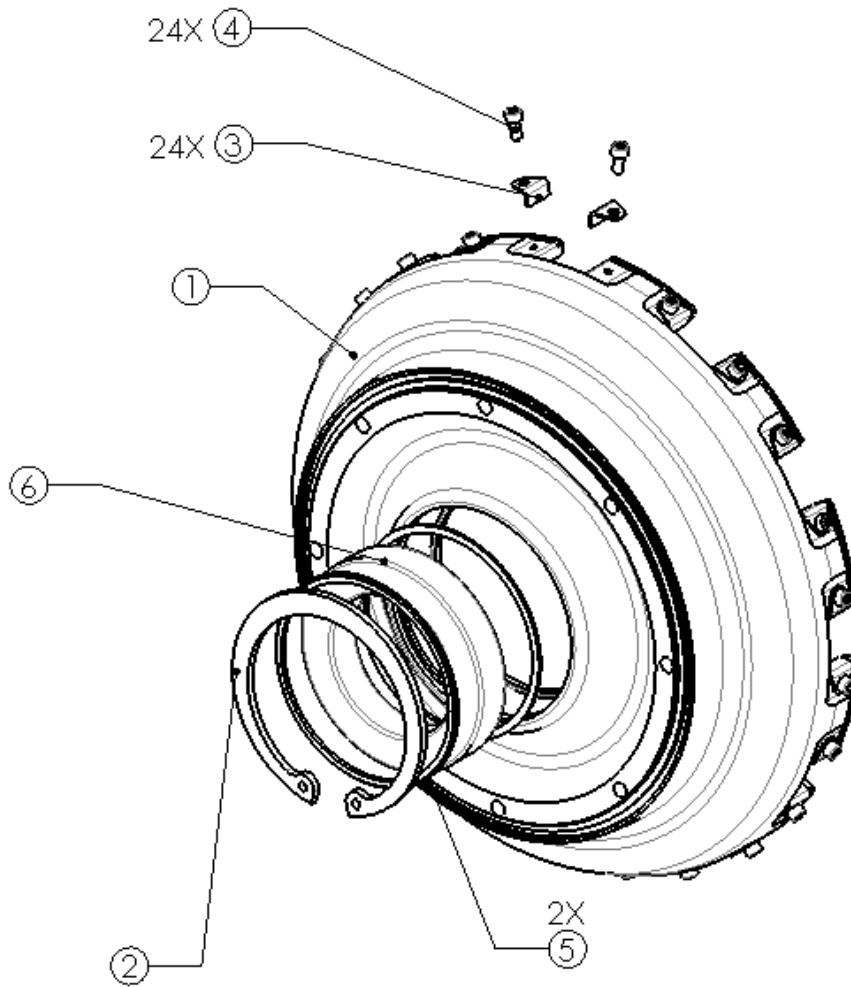


5	V-CHC-005	M3-6(A4)_Clip Screw / Vis Clip	24
4	CLP-001	Clip 6'', 10''	24
3	B-BE-008	D68_Bearing/Roulement	1
2	C-AL-006	Circlip D68	1
1	JAI-012	6'' HE_Inner wheel half/ Jante Int	1
REP	PART NUMBER	DESCRIPTION	QTY.

10.1.4 JI-012W


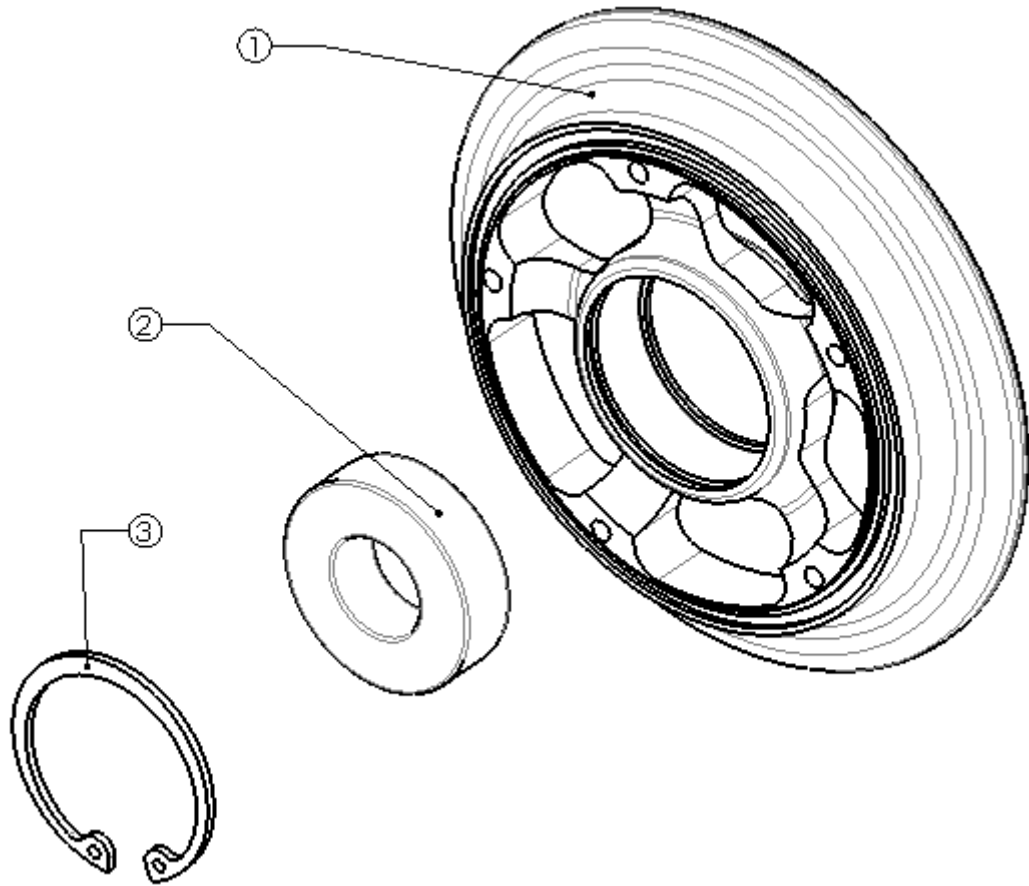
5	V-CHC-005	M3-6(A4)_Clip Screw / Vis Clip	24
4	CLP-001	Clip 6'', 10''	24
3	B-BE-008W	D68_Bearing Stainless Steel/Roulement Inox	1
2	C-AL-006	Circlip D68	1
1	JAI-012	6'' HE_Inner wheel half/ Jante Int	1
REP	PART NUMBER	DESCRIPTION	QTY.

10.1.5 JI-012.1



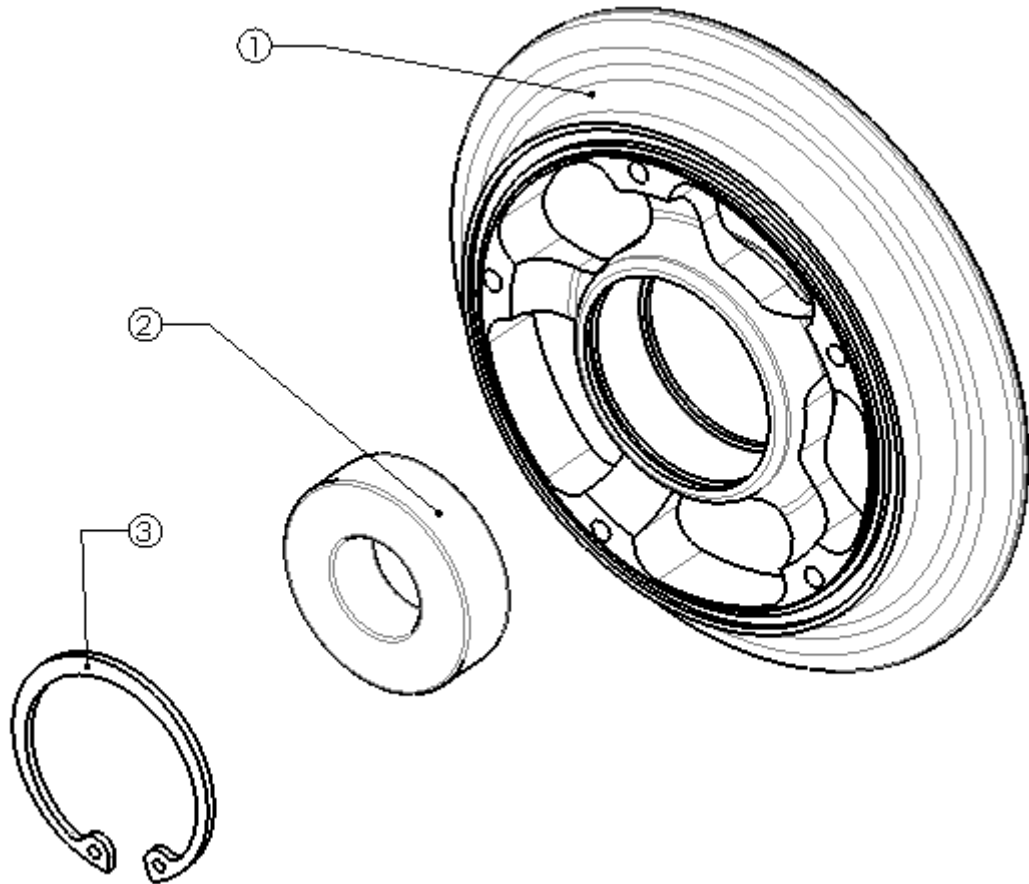
6	B-BE-014	D68_Bearing/ Roulement	1
5	BGE-025	Rlt68_Spacer/ Bague	2
4	V-CHC-005	M3-6(A4)_Clip Screw / Vis Clip	24
3	CLP-001	Clip 6'', 10''	24
2	C-AL-006	Circlip D68	1
1	JAI-012	6'' HE_Inner wheel half/ Jante Int	1
REP	PART NUMBER	DESCRIPTION	QTY.

10.1.6 JI-013



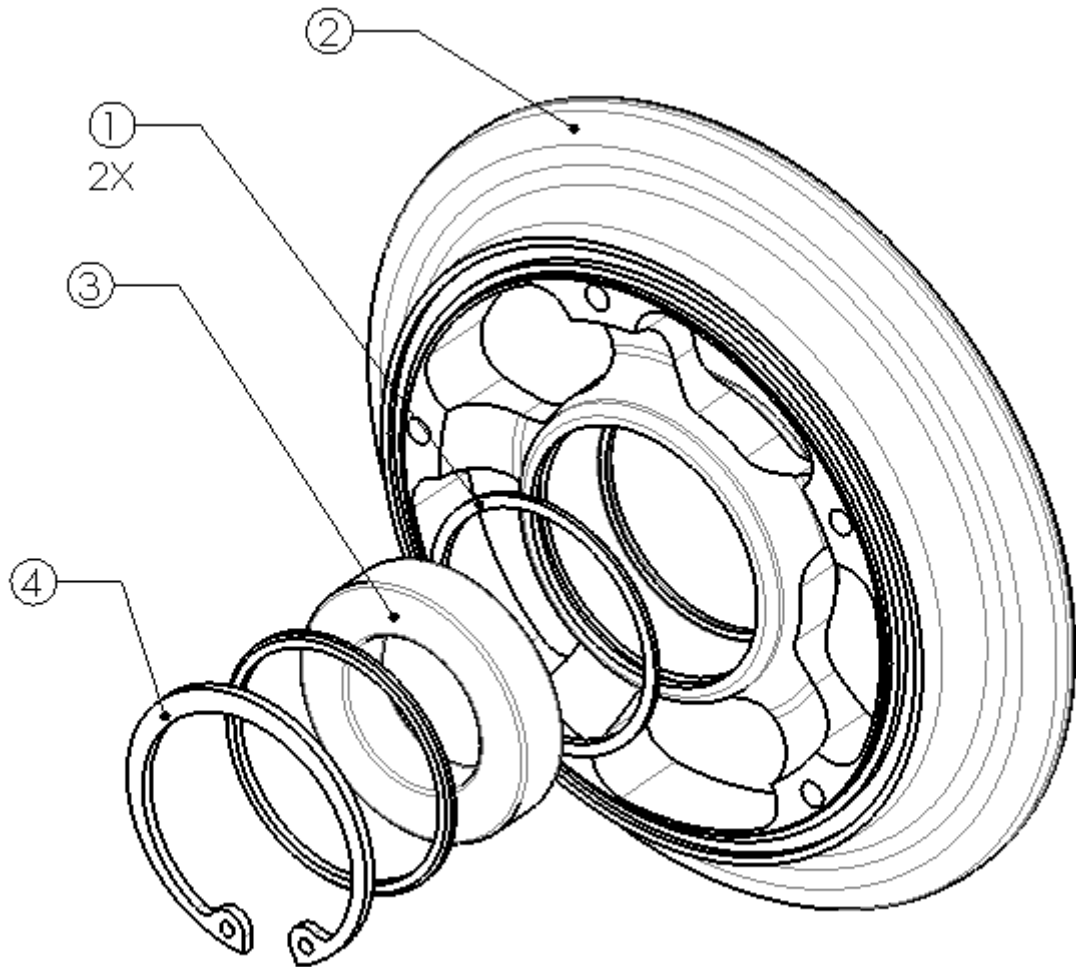
3	C-AL-008	Circlip D42	1
2	B-BE-009	D42_Bearing/Roulement	1
1	JAI-013	4'' SF_Inner wheel half/ Jante Int	1
REP	PART NUMBER	DESCRIPTION	QTY.

10.1.7 JI-013W



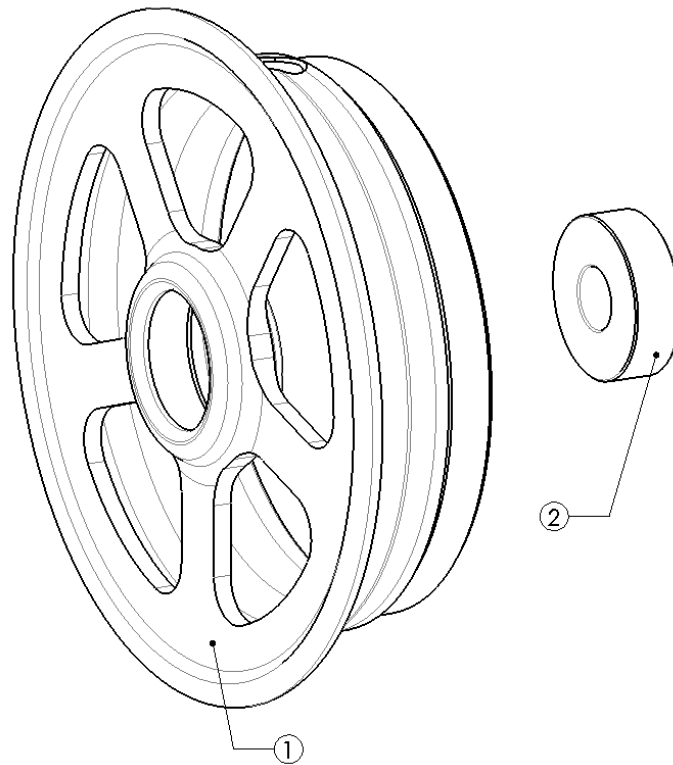
3	C-AL-008	Circlip D42	1
2	B-BE-009W	D42_Stainless Steel Bearing/Roulement Inox	1
1	JAI-013	4'' SF_Inner wheel half/ Jante Int	1
REP	PART NUMBER	DESCRIPTION	QTY.

10.1.8 JI-013.1



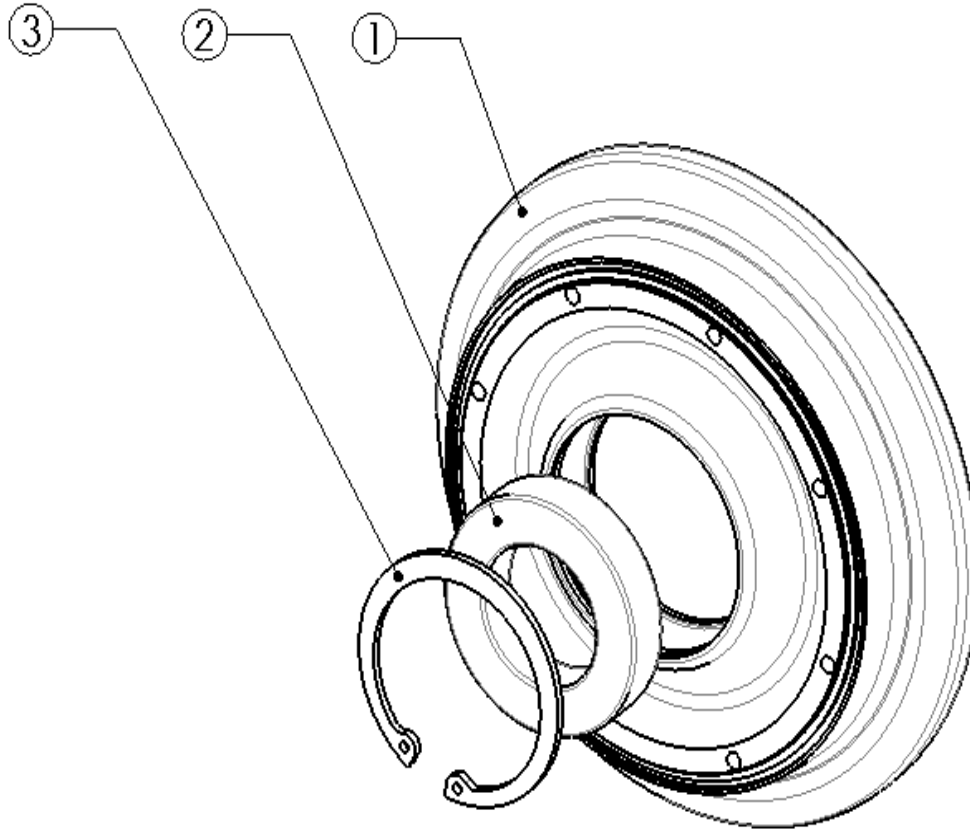
4	C-AL-008	Circlip D42	1
3	B-BE-015	D42_Bearing /Roulement	1
2	JAI-013	4'' SF_Inner wheel half/ Jante Int	1
1	BGE-030	Rlt 42_Spacer/ Bague Calage	2
REP	PART NUMBER	DESCRIPTION	QTY.

10.1.9 JI-014

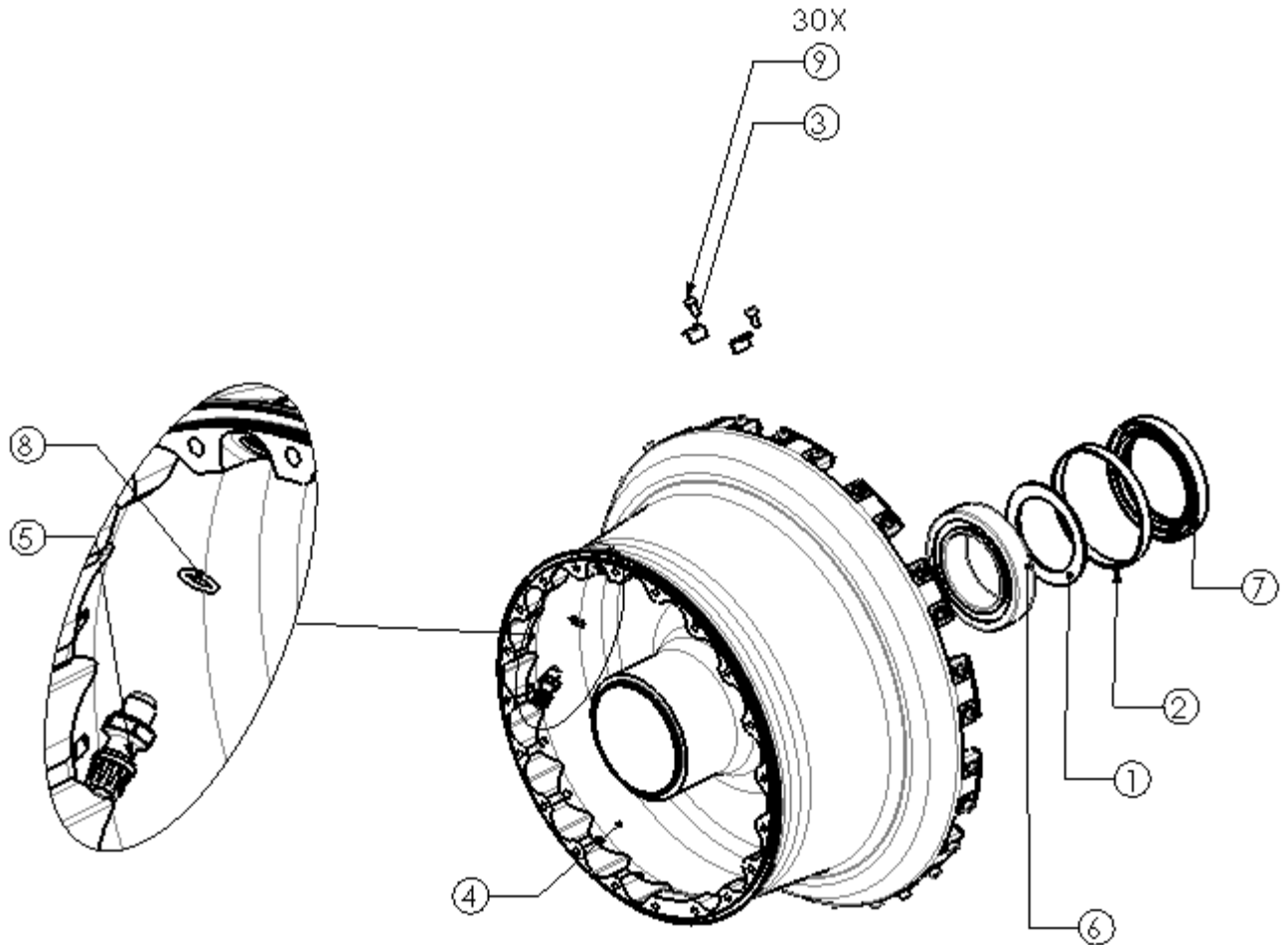


2	B-BE-011	D26_Bearing/Roulement	1
1	JAI-014	Wheel 200x50_Inner wheel half / Jante Int	1
REP	PART NUMBER	DESCRIPTION	QTY.

10.1.10 JI-015

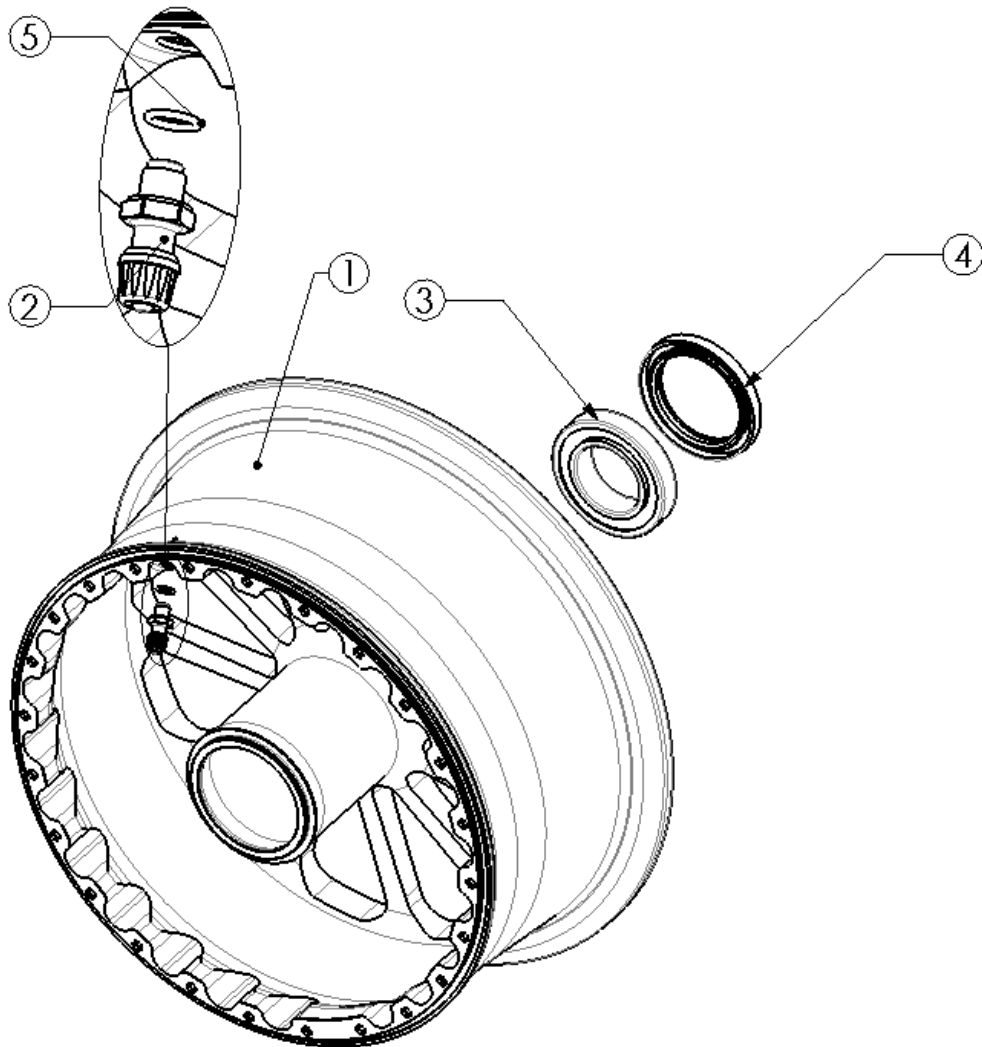


3	C-AL-006	Circlip D68	1
2	B-BE-008	D68_Bearing/Roulement	1
1	JAI-015	6.00X6'' HE_Inner wheel half/Jante Int	1
REP	PART NUMBER	DESCRIPTION	QTY.

10.1.11 JI-018


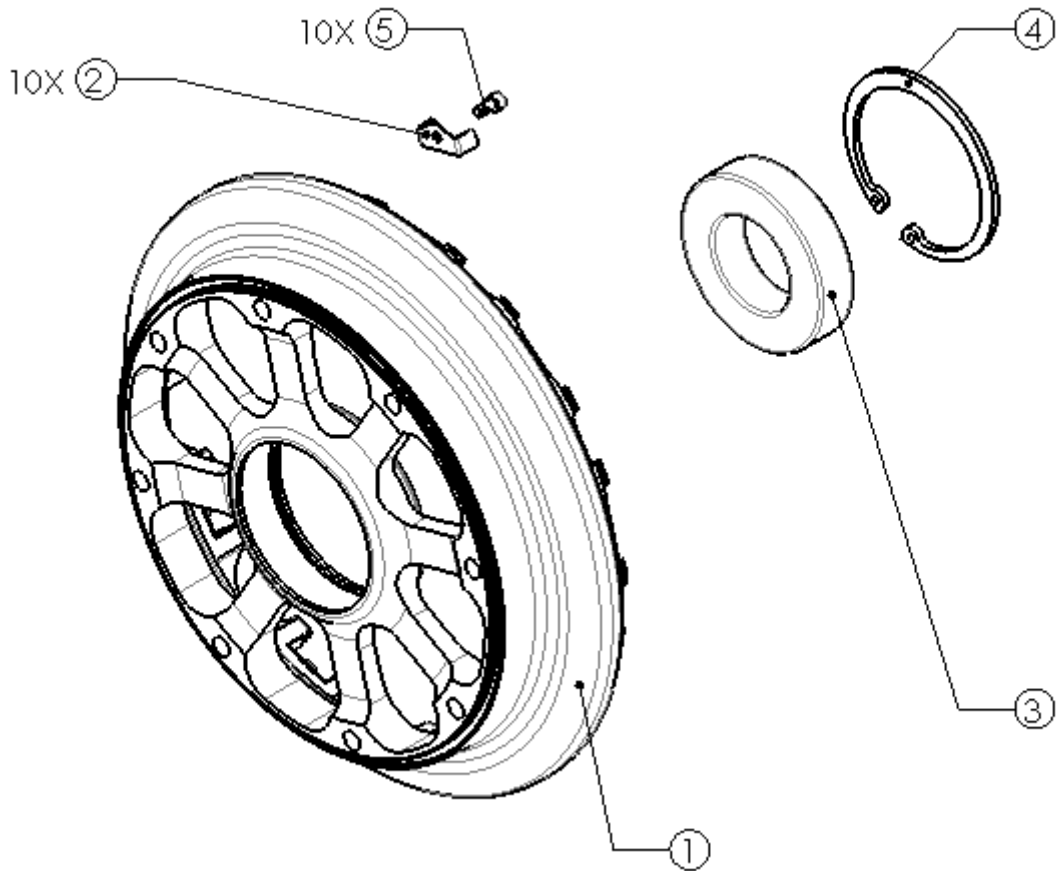
9	V-CHC-010	M4x8 (A4)_Clip Screw/ Vis Chc	30
8	J-JTR-017N	Valve O-Ring/ Joint Valve	1
7	J-JBE-002N	D80_Lipseal/Joint d'étanchéité	1
6	B-RC-002	D72_Outer Bearing/ Rlt à rouleaux conique	1
5	A-001	Valve	1
4	JAI-018	24x7.7_Inner wheel half/ Jante Int	1
3	CLP-006	Clip 10'' & 12'' HE	30
2	BGE-004	B-RC-002_Lipseal Spacer/Bague de calage	1
1	BGE-002	B-RC-002_Bearing Spacer/Bague calage Rlt	1
REP	PART NUMBER	DESCRIPTION	QTY.

10.1.12 JI-019



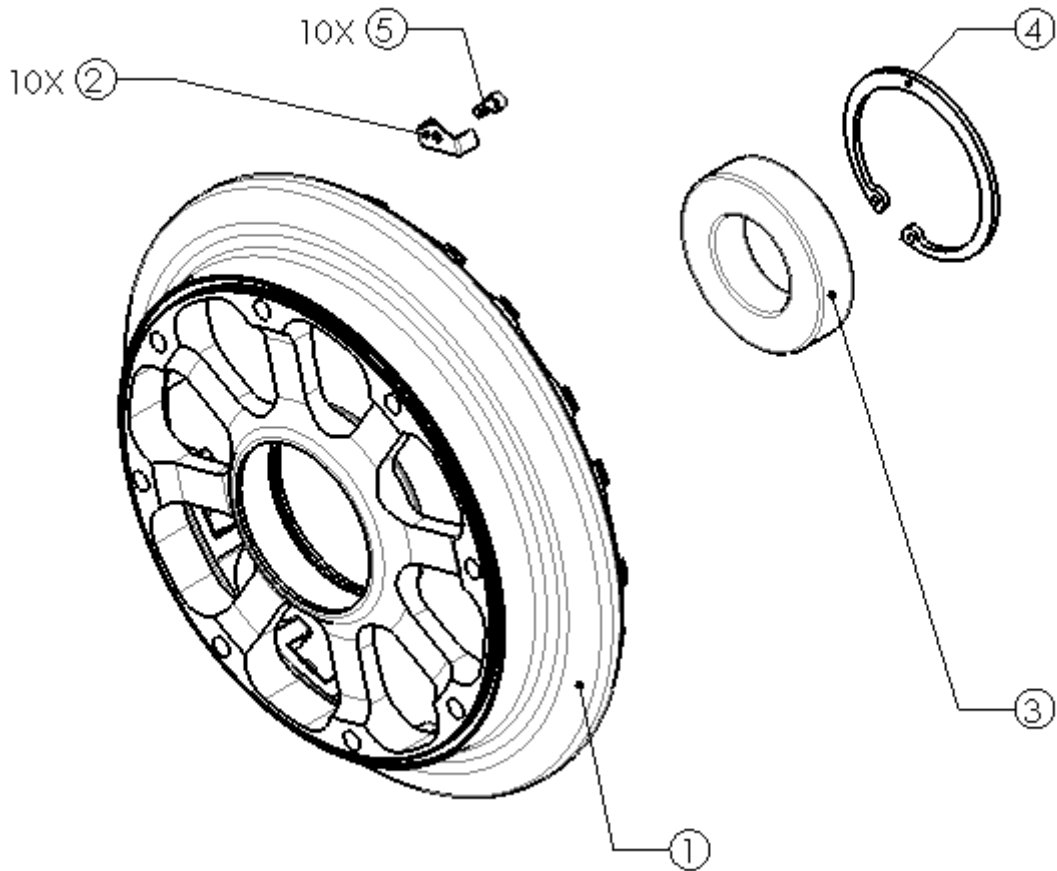
5	J-JTR-017N	Valve O-Ring/ Joint Valve	1
4	J-JBE-004N	Ø75_Lipseal/ Joint a levre	1
3	B-RC-003	D73_Bearing/Roulement	1
2	A-001	Valve	1
1	JAI-019	8.9x12.5''_Inner Wheel Half Assy/Jante Int	1
REP	PART NUMBER	DESCRIPTION	QTY.

10.1.13 JI-020

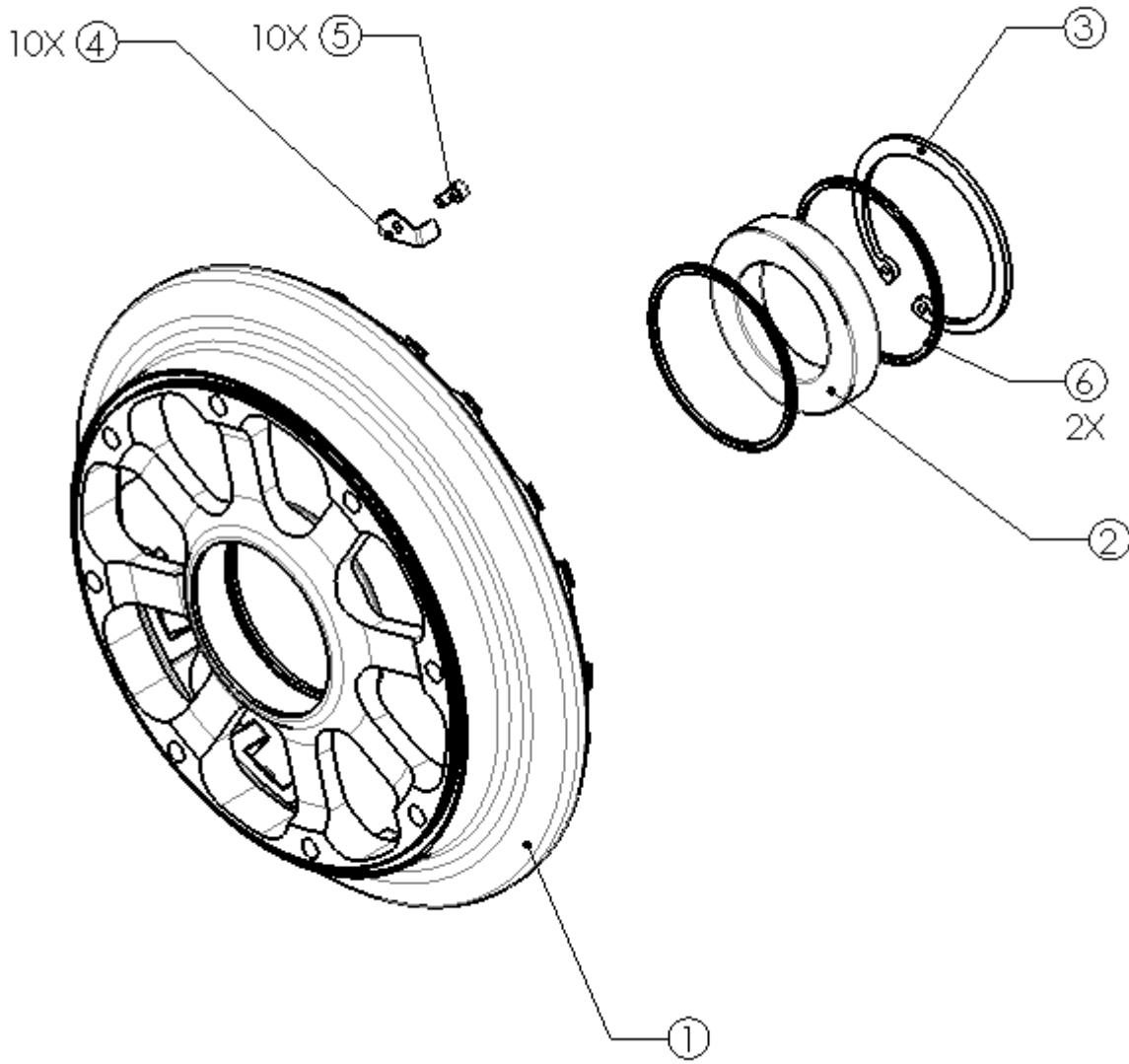


5	V-CHC-005	M3-6(A4)_Clip Screw / Vis Clip	10
4	C-AL-002	Circlip D55	1
3	B-BE-002	D55_Bearing/Roulement	1
2	CLP-004	Clip 6''SL	10
1	JAI-020	6'' SL_Inner wheel half/Jante Int	1
REP	PART NUMBER	DESCRIPTION	QTY.

10.1.14 JI-020W

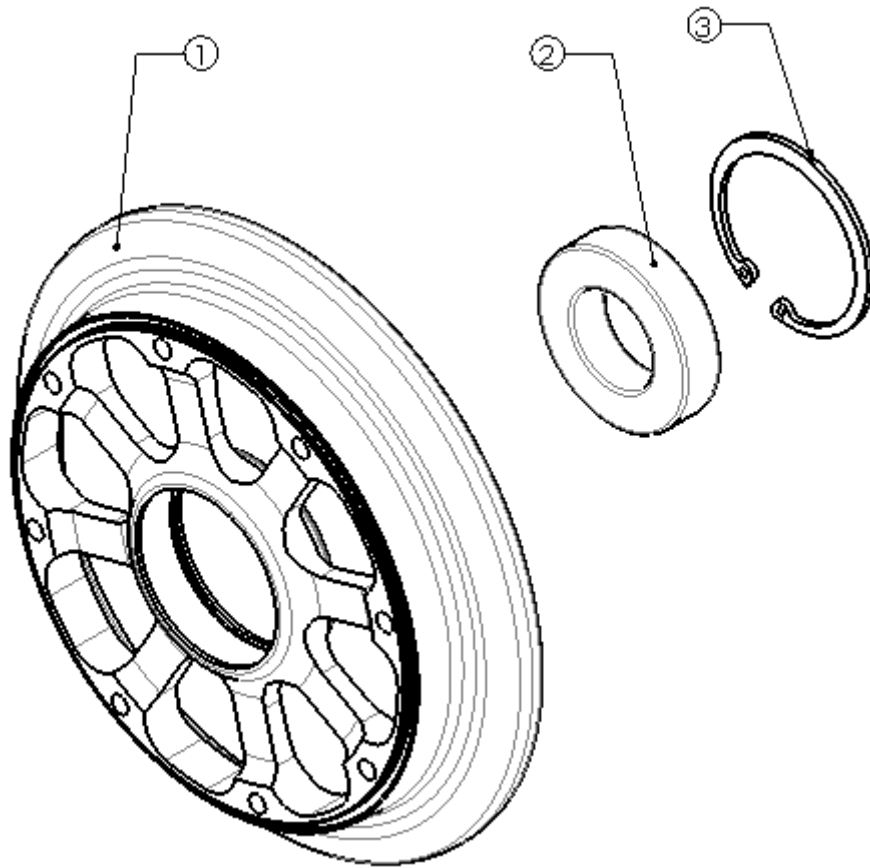


5	V-CHC-005	M3-6(A4)_Clip Screw / Vis Clip	10
4	C-AL-002	Circlip D55	1
3	B-BE-002W	D55_Stainless Steel Bearing/Roulement Inox	1
2	CLP-004	Clip 6''SL	10
1	JAI-020	6'' SL_Inner wheel half/Jante Int	1
REP	PART NUMBER	DESCRIPTION	QTY.

10.1.15 JI-020.1


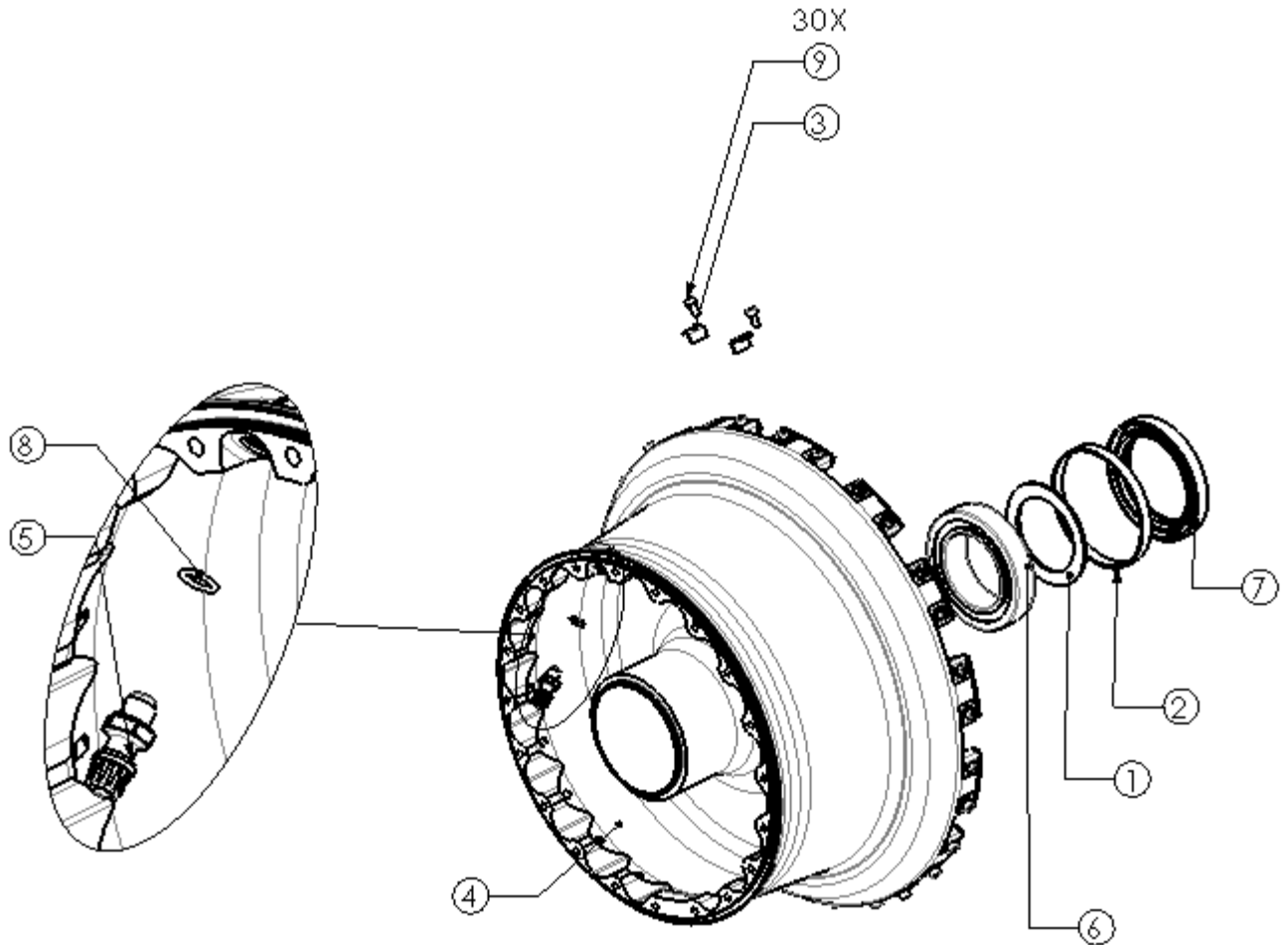
6	BGE-015	Bearing Spacer 55/Entretoise Rlt 55	2
5	V-CHC-005	M3-6(A4)_Clip Screw / Vis Clip	10
4	CLP-004	Clip 6''SL	10
3	C-AL-002	Circlip D55	1
2	B-BE-007	Bearing 35-55/Roulement 35-55	1
1	JAI-020	6'' SL_Inner wheel half/Jante Int	1
REP	PART NUMBER	DESCRIPTION	QTY.

10.1.16 JI-021



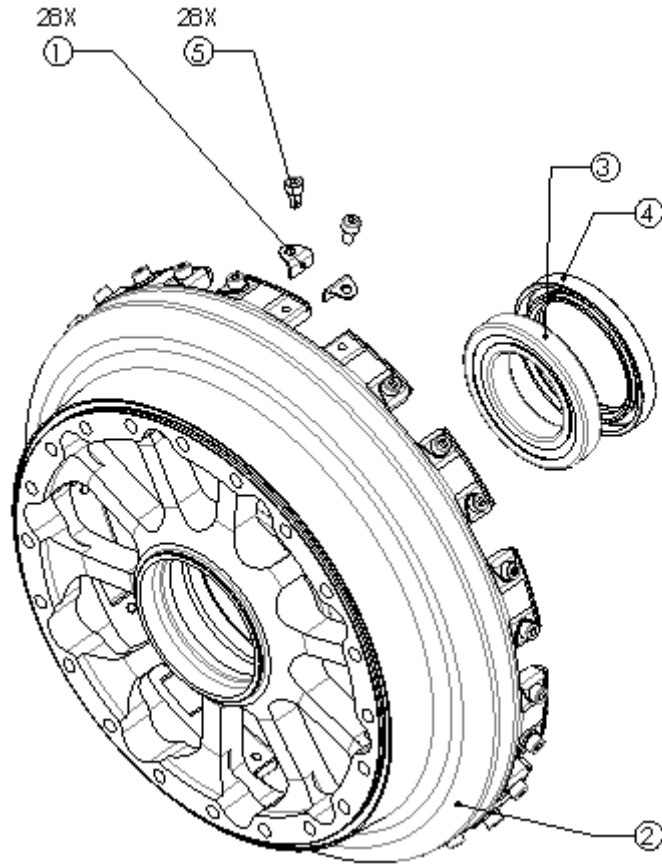
3	C-AL-002	Circlip D55	1
2	B-BE-002	D55_Bearing/Roulement	1
1	JAI-021	6'' SL_Inner wheel half/ jante Int	1
REP	PART NUMBER	DESCRIPTION	QTY.

10.1.17 JI-021W



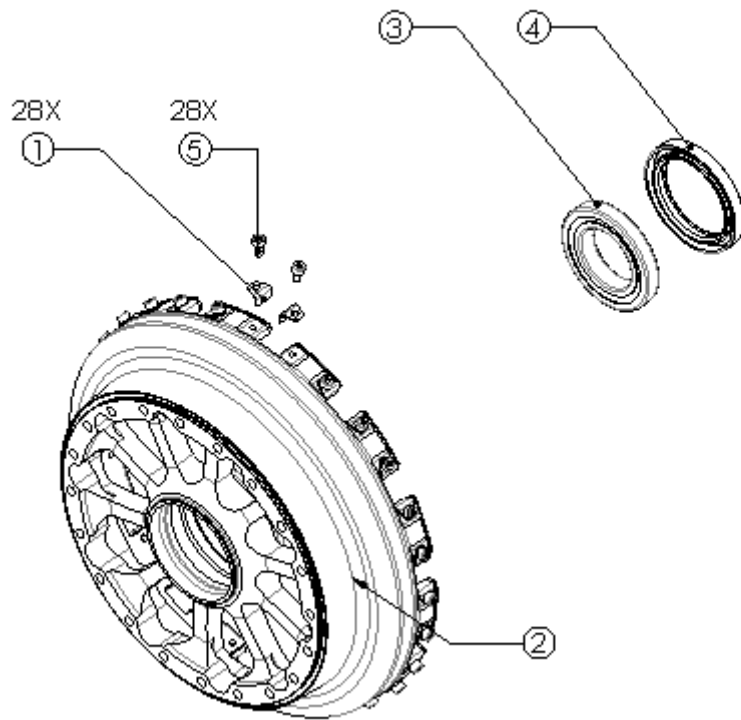
3	C-AL-002	Circlip D55	1
2	B-BE-002W	D55_ Stainless Steel Bearing/Roulement Inox	1
1	JAI-021	6'' SL_Inner wheel half/ jante Int	1
REP	PART NUMBER	DESCRIPTION	QTY.

10.1.18 JI-022



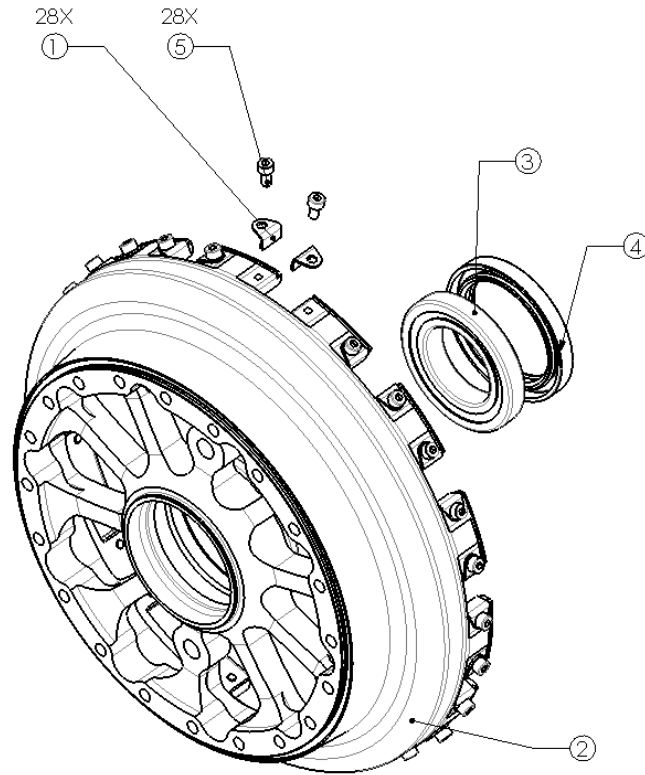
5	V-CHC-010	M4x8 (A4)_Clip Screw/ Vis Chc	28
4	J-JBE-005N	BR-C-004_Lipseal/ Joint Spy	1
3	B-RC-004	D38.1_Bearing/Roulement	1
2	JAI-022	18x5.5_Inner wheel half/ Jante Int	1
1	CLP-005	Clip 8'HL	28
REP	PART NUMBER	DESCRIPTION	QTY.

10.1.19 JI-022.1



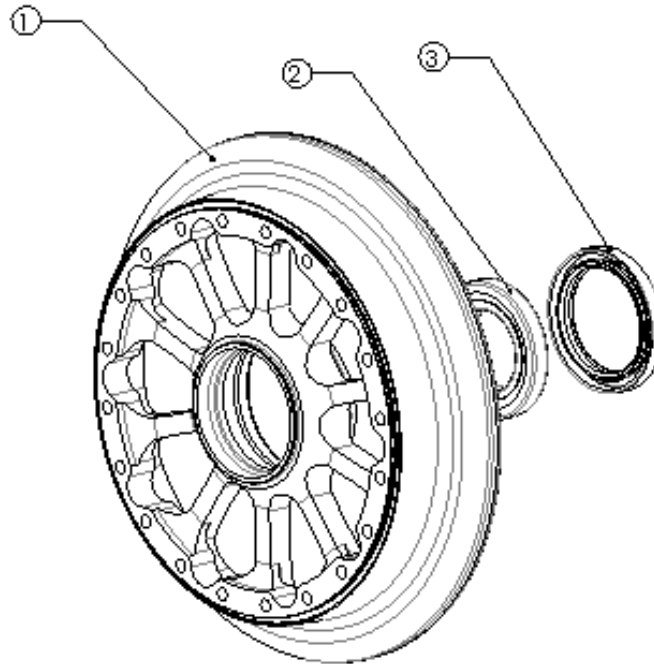
5	V-CHC-010	M4x8 (A4) _Clip Screw/ Vis Chc	28
4	J-JBE-005N	BR-C-004 _Lipseal/ Joint Spy	1
3	B-RC-004	D38.1 _Bearing/Roulement	1
2	JAI-022.1	18x5.5'' High Load_ Inner wheel half/ Jante Intérieure	1
1	CLP-005	Clip 8''HL	28
REP	PART NUMBER	DESCRIPTION	QTY.

10.1.20 JI-022.2



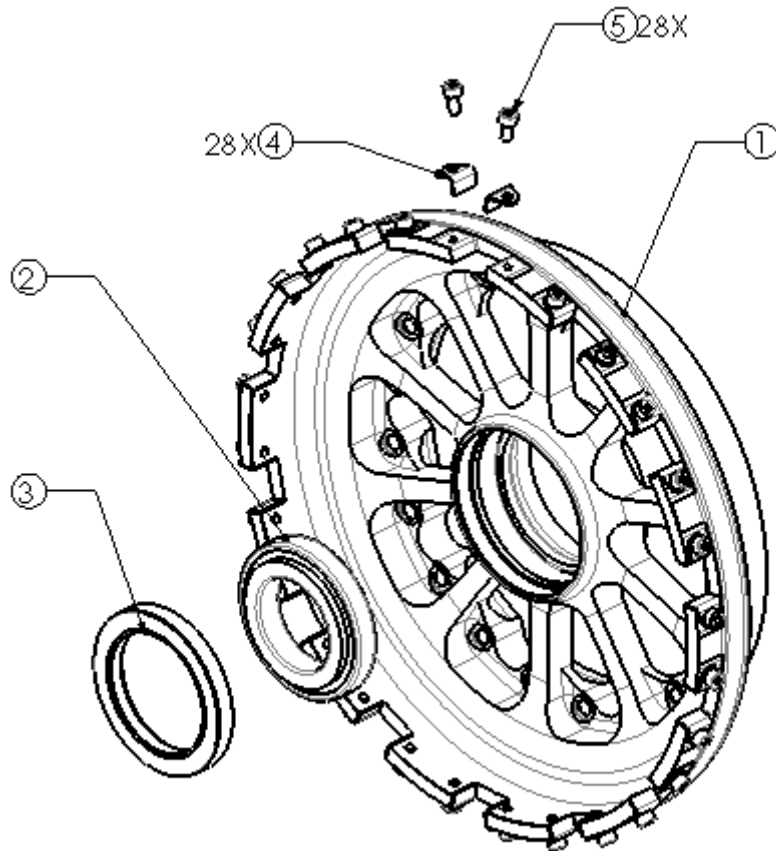
5	V-CHC-010	M4x8 (A4)_Clip Screw/ Vis Chc	28
4	J-JBE-005N	BR-C-004_Lipseal/ Joint Spy	1
3	B-RC-004	D38.1_Bearing/Roulement	1
2	JAI-022.2	18x5.5_Inner wheel half/ Jante Int	1
1	CLP-005	Clip 8''HL	28
REP	PART NUMBER	DESCRIPTION	QTY.

10.1.21 JI-022.3



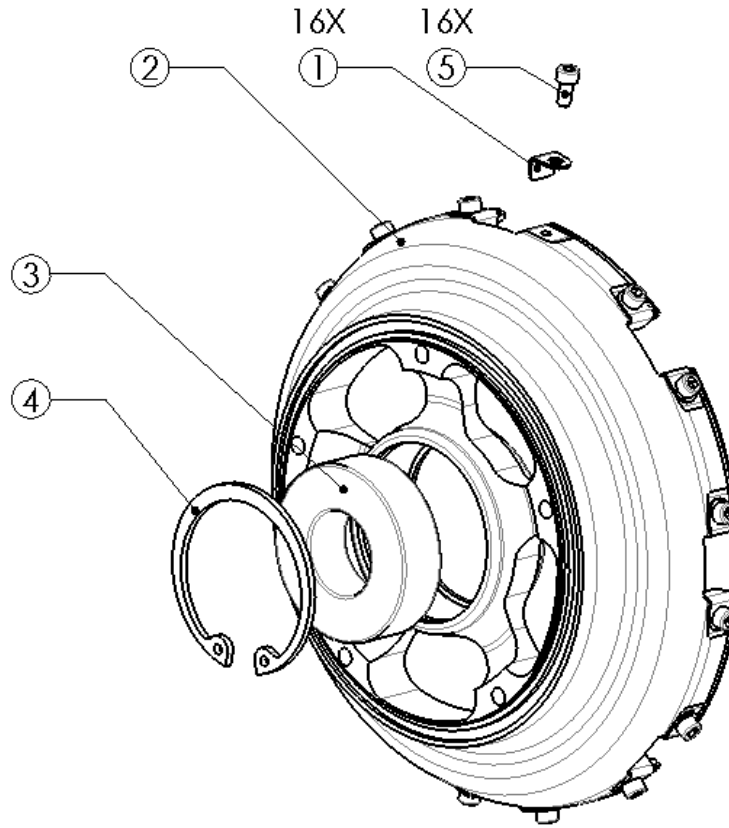
3	J-JBE-005N	BR-C-004_Lipseal/ Joint Spy	1
2	B-RC-004	D38.1_Bearing/Roulement	1
1	JAI-022.3	18x5.5_Inner wheel half/ Jante Int	1
REP	PART NUMBER	DESCRIPTION	QTY.

10.1.22 JI-022.4



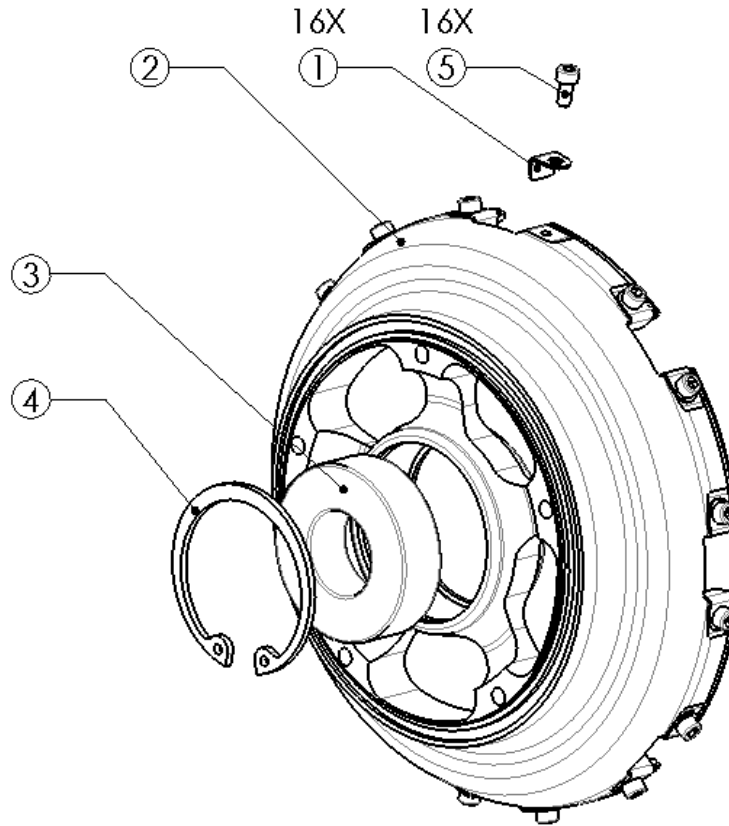
5	V-CHC-010	M4x8 (A4)_Clip Screw/ Vis Chc	28
4	CLP-005	Clip 8''HL	28
3	J-JBE-005N	BR-C-004_Lipseal/ Joint Spy	1
2	B-RC-004	D38.1_Bearing/Roulement	1
1	JAI-022.4	18x5.5_Inner wheel half/ Jante Int	1
REP	PART NUMBER	DESCRIPTION	QTY.

10.1.23 JI-023

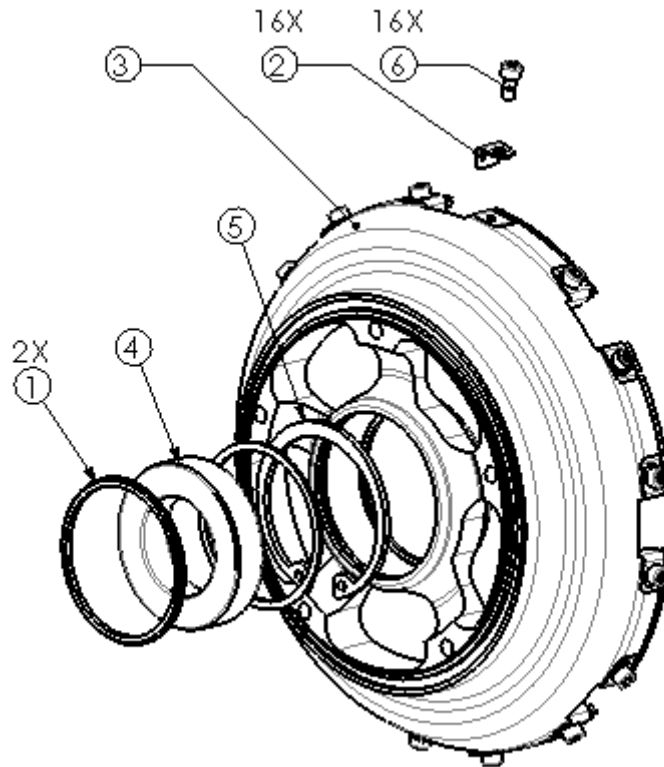


5	V-CHC-005	M3-6(A4)_Clip Screw / Vis Clip	16
4	C-AL-008	Circlip D42	1
3	B-BE-009	D42_Bearing/Roulement	1
2	JAI-023	3.5x4" _Inner wheel half/Jante INT	1
1	CLP-002	Clip 4'',5''	16
REP	PART NUMBER	DESCRIPTION	QTY.

10.1.24 JI-023W

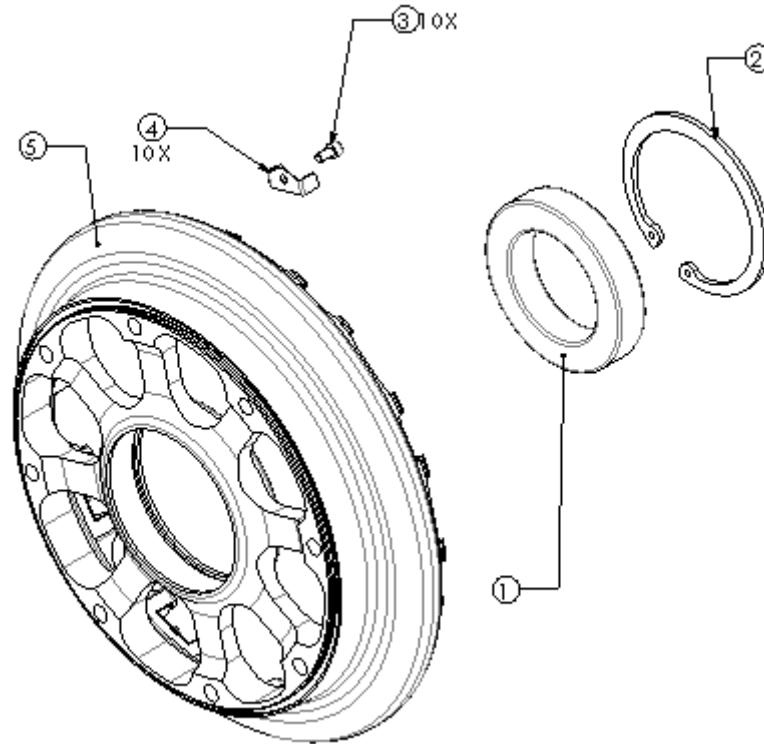


5	V-CHC-005	M3-6(A4)_Clip Screw / Vis Clip	16
4	C-AL-008	Circlip D42	1
3	B-BE-009W	D42_Stainless Steel Bearing/Roulement Inox	1
2	JAI-023	3.5x4" _Inner wheel half/Jante INT	1
1	CLP-002	Clip 4'',5''	16
REP	PART NUMBER	DESCRIPTION	QTY.

10.1.25 JI-023.1


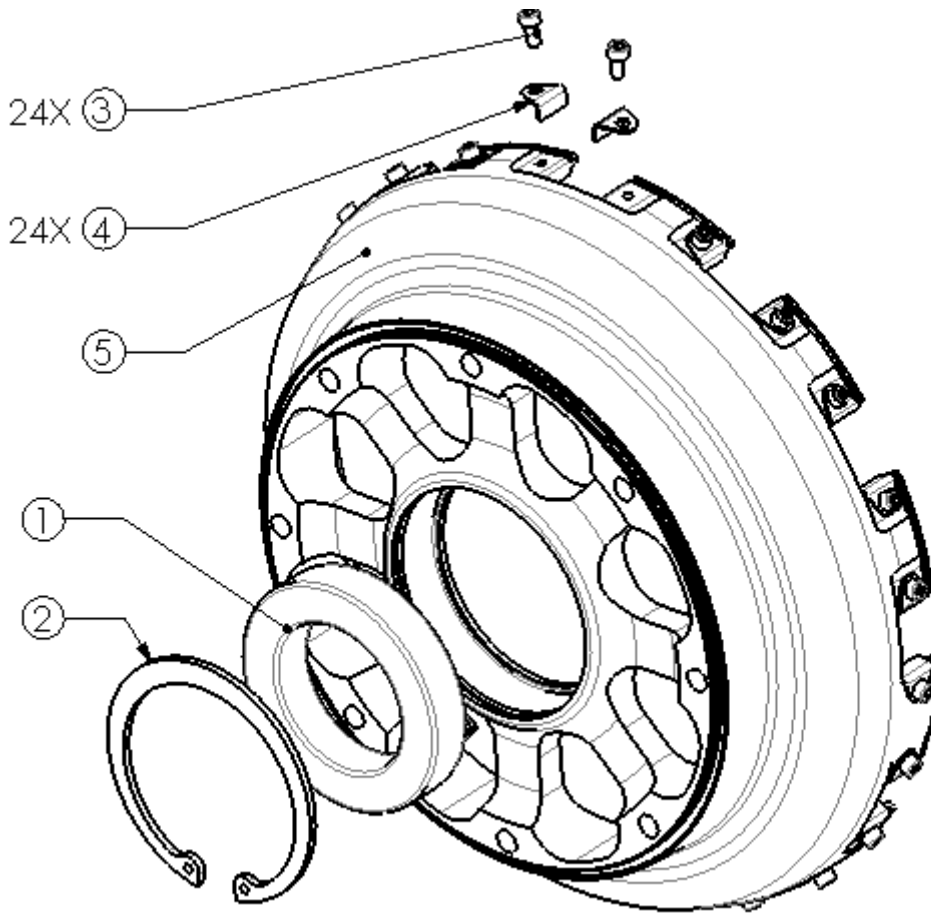
6	V-CHC-005	M3-6(A4)_Clip Screw / Vis Clip	16
5	C-AL-008	Circlip D42	1
4	B-BE-015	D42_Bearing /Roulement	1
3	JAI-023	3.5x4" _Inner wheel half/Jante INT	1
2	CLP-002	Clip 4",5"	16
1	BGE-030	Rlt 42_Spacer/ Bague Calage	2
REP	PART NUMBER	DESCRIPTION	QTY.

10.1.26 JI-024

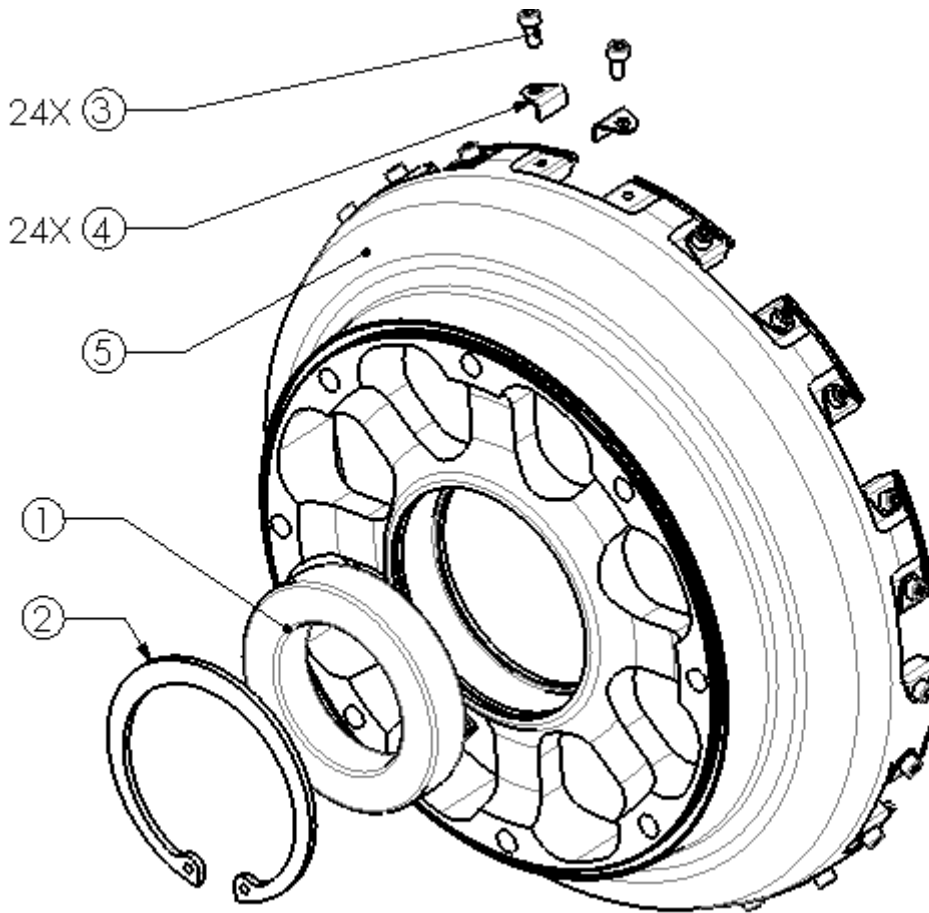


5	JAI-024	6'SL US_Inner wheel half / Jante Int	1
4	CLP-004	Clip 6'SL	10
3	V-CHC-005	M3-6(A4)_Clip Screw / Vis Clip	10
2	C-AL-003	Circlip D62	1
1	B-BE-013	D62_Bearing/ Roulement	1
REP	PART NUMBER	DESCRIPTION	QTY.

10.1.27 JI-025.1

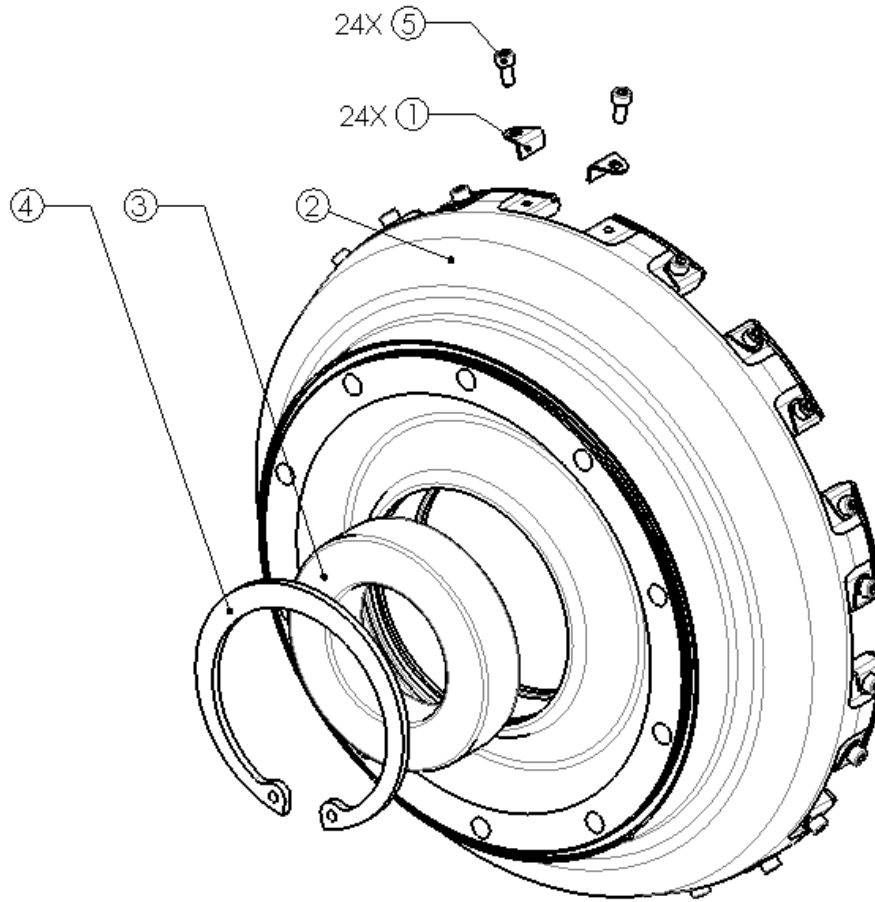


5	JAI-025	6.00X6'' LE_Inner wheel half/Jante Int	1
4	CLP-001	Clip 6'', 10''	24
3	V-CHC-005	M3-6(A4)_Clip Screw / Vis Clip	24
2	C-AL-003	Circlip D62	1
1	B-BE-013	D62_Bearing/ Roulement	1
REP	PART NUMBER	DESCRIPTION	QTY.

10.1.28 JI-025.1W


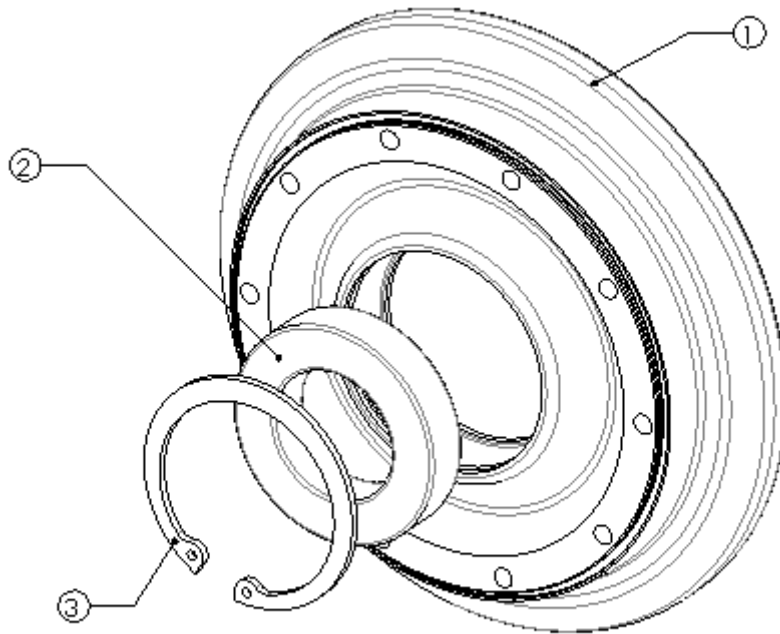
5	JAI-025	6.00X6'' LE_Inner wheel half/Jante Int	1
4	CLP-001	Clip 6'', 10''	24
3	V-CHC-005	M3-6(A4)_Clip Screw / Vis Clip	24
2	C-AL-003	Circlip D62	1
1	B-BE-013W	D62_Stainless Steel Bearing/ Roulement Inox	1
REP	PART NUMBER	DESCRIPTION	QTY.

10.1.29 JI-026



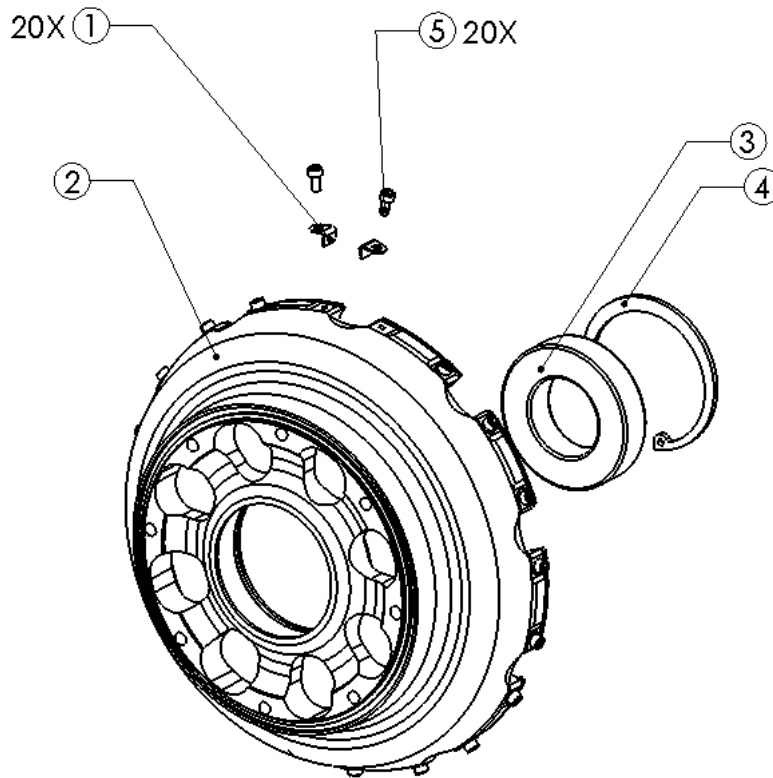
5	V-CHC-005	M3-6(A4)_Clip Screw / Vis Clip	24
4	C-AL-006	Circlip D68	1
3	B-BE-008	D68_Bearing/Roulement	1
2	JAI-026	6.00X6'' HL_Inner wheel half/Jante Int	1
1	CLP-001	Clip 6'', 10''	24
REP	PART NUMBER	DESCRIPTION	QTY.

10.1.30 JI-027.1



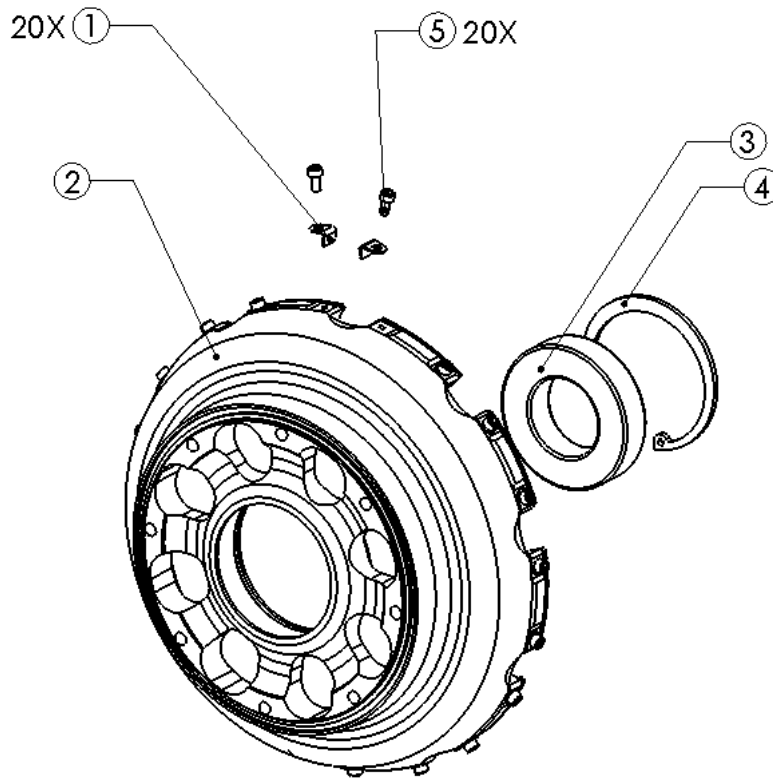
3	C-AL-006	Circlip D68	1
2	B-BE-008	D68_Bearing/Roulement	1
1	JAI-027	6'HL_Inner wheel half/ Jante Int	1
REP	PART NUMBER	DESCRIPTION	QTY.

10.1.31 JI-028



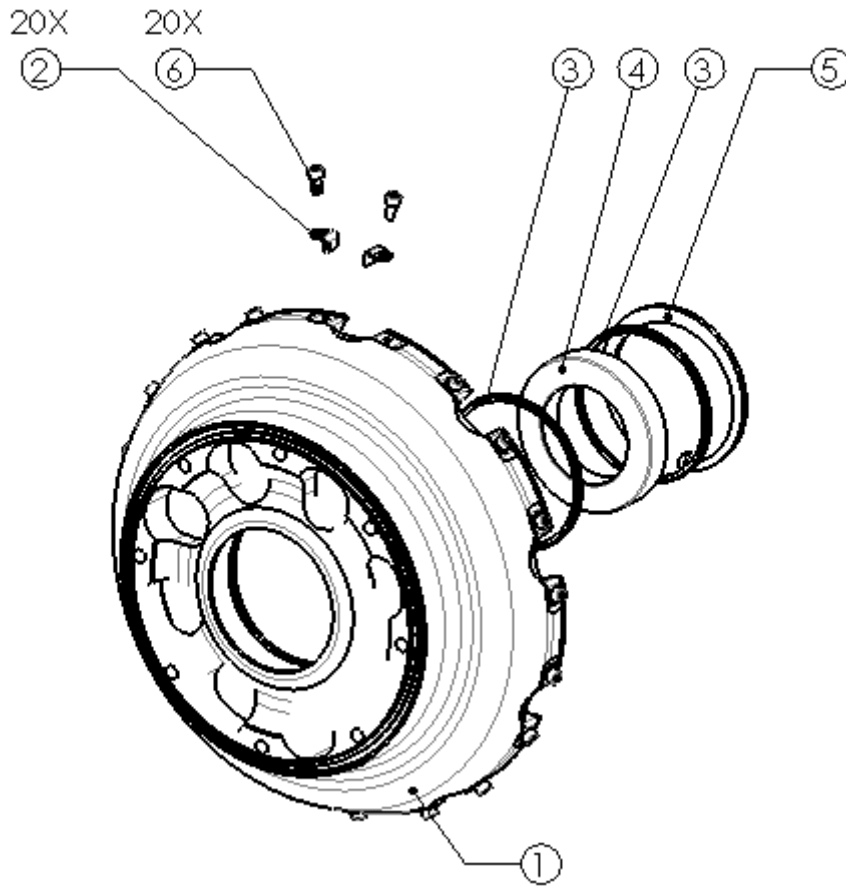
5	V-CHC-005	M3-6(A4)_Clip Screw / Vis Clip	20
4	C-AL-002	Circlip D55	1
3	B-BE-002	D55_Bearing/Roulement	1
2	JAI-028	5''HL_Inner wheel half/ Jante Int	1
1	CLP-002	Clip 4'',5''	20
REP	PART NUMBER	DESCRIPTION	QTY.

10.1.32 JI-028W



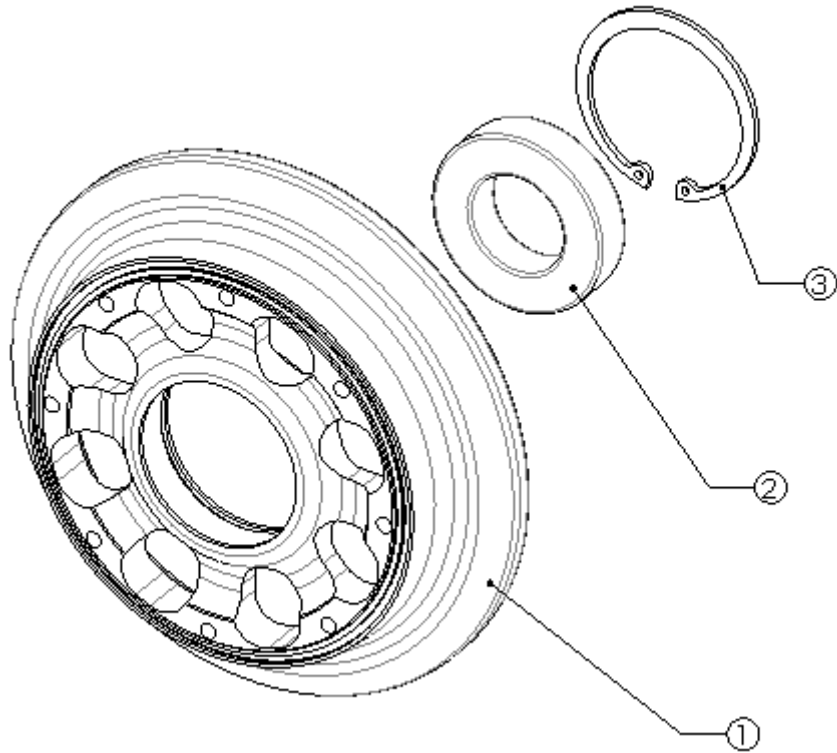
5	V-CHC-005	M3-6(A4)_Clip Screw / Vis Clip	20
4	C-AL-002	Circlip D55	1
3	B-BE-002W	D55_Stainless Steel Bearing/Roulement Inox	1
2	JAI-028	5''HL_Inner wheel half/ Jante Int	1
1	CLP-002	Clip 4'',5''	20
REP	PART NUMBER	DESCRIPTION	QTY.

10.1.33 JI-028.1



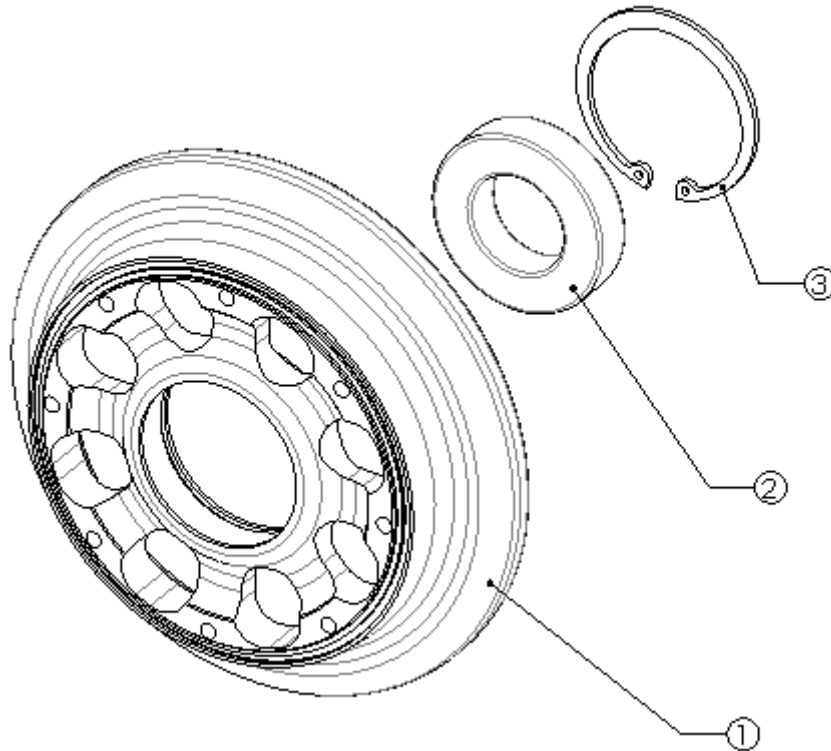
6	V-CHC-005	M3-6(A4)_Clip Screw / Vis Clip	20
5	C-AL-002	Circlip D55	1
4	B-BE-007	Bearing 35-55/Roulement 35-55	1
3	BGE-015	Bearing Spacer 55/Entretoise Rlt 55	2
2	CLP-002	Clip 4'',5''	20
1	JAI-028	5''HL_Inner wheel half/ Jante Int	1
REP	PART NUMBER	DESCRIPTION	QTY.

10.1.34 JI-029



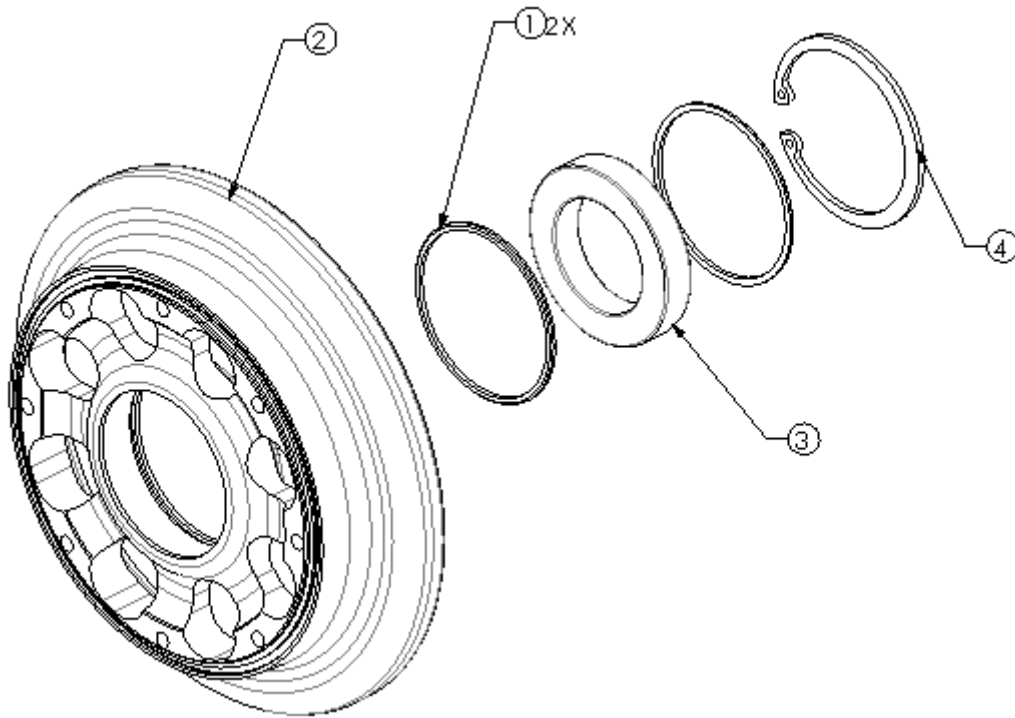
3	C-AL-002	Circlip D55	1
2	B-BE-002	D55_Bearing/Roulement	1
1	JAI-029	5'' HL_Inner Wheel half/Jante Int	1
REP	PART NUMBER	DESCRIPTION	QTY.

10.1.35 JI-029W



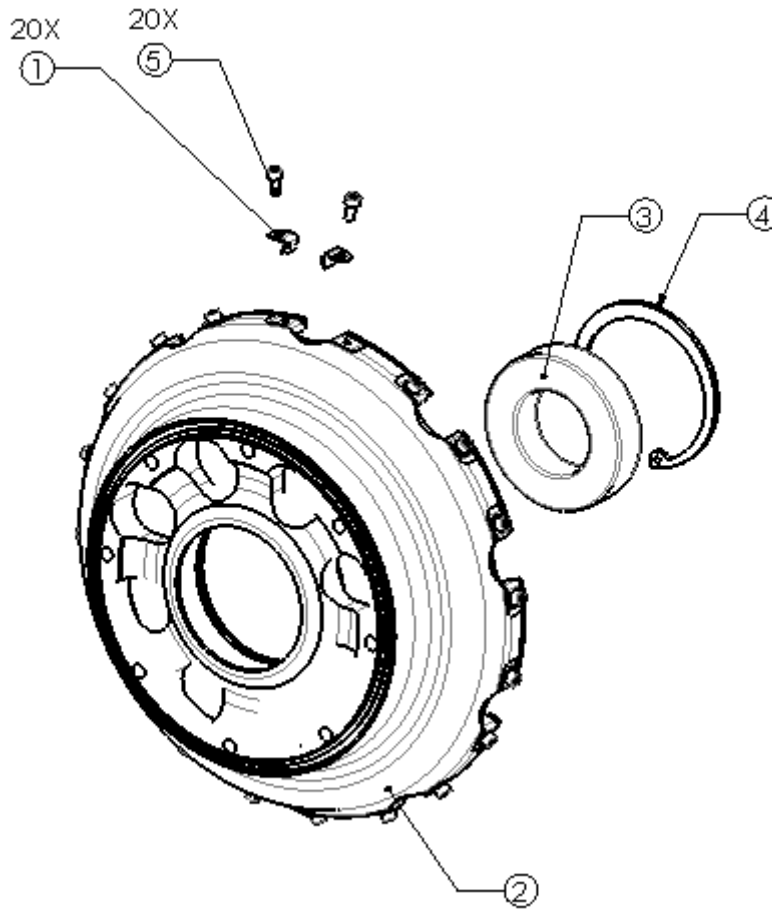
3	C-AL-002	Circlip D55	1
2	B-BE-002W	D55_Stainless Steel Bearing/Roulement Inox	1
1	JAI-029	5'' HL_Inner Wheel half/Jante Int	1
REP	PART NUMBER	DESCRIPTION	QTY.

10.1.36 JI-029.1



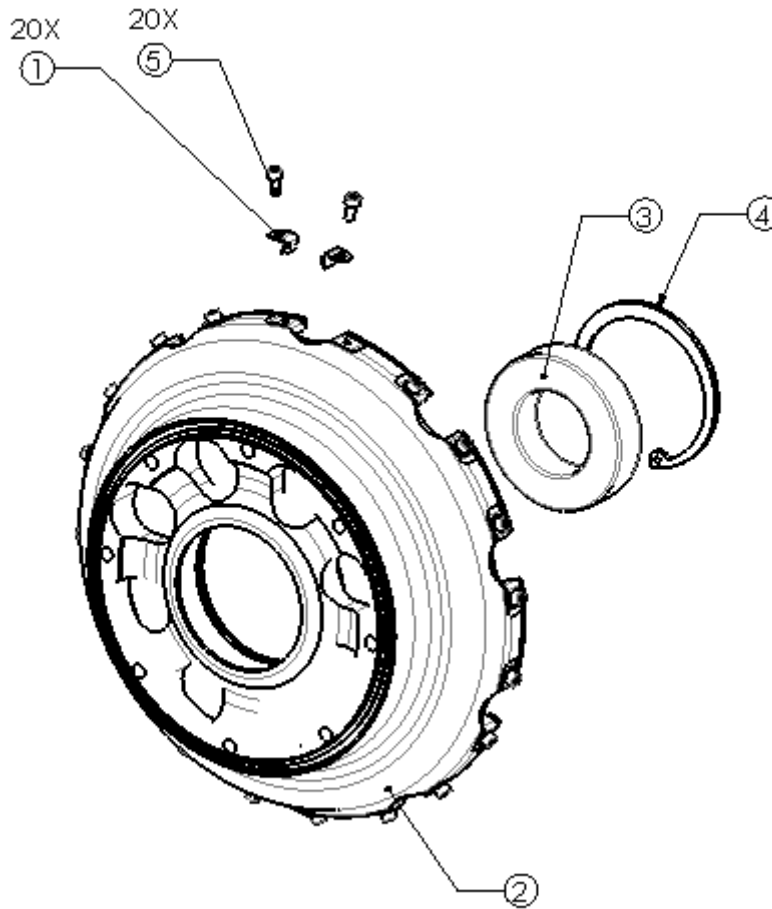
4	C-AL-002	Circlip D55	1
3	B-BE-007	Bearing 35-55/Roulement 35-55	1
2	JAI-029	5'' HL_Inner Wheel half/Jante Int	1
1	BGE-015	Bearing Spacer 55/Entretoise Rlt 55	2
REP	PART NUMBER	DESCRIPTION	QTY.

10.1.37 JI-030



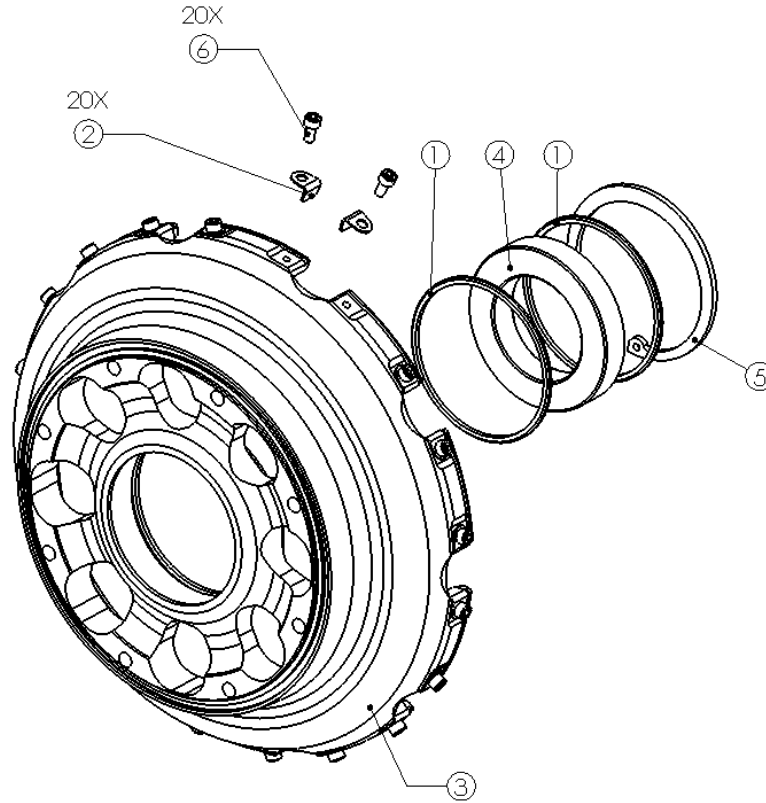
5	V-CHC-005	M3-6(A4)_Clip Screw / Vis Clip	20
4	C-AL-002	Circlip D55	1
3	B-BE-002	D55_Bearing/Roulement	1
2	JAI-030	5'' Std_Inner Wheel Half/ Jante Int	1
1	CLP-002	Clip 4'',5''	20
REP	PART NUMBER	DESCRIPTION	QTY.

10.1.38 JI-030W



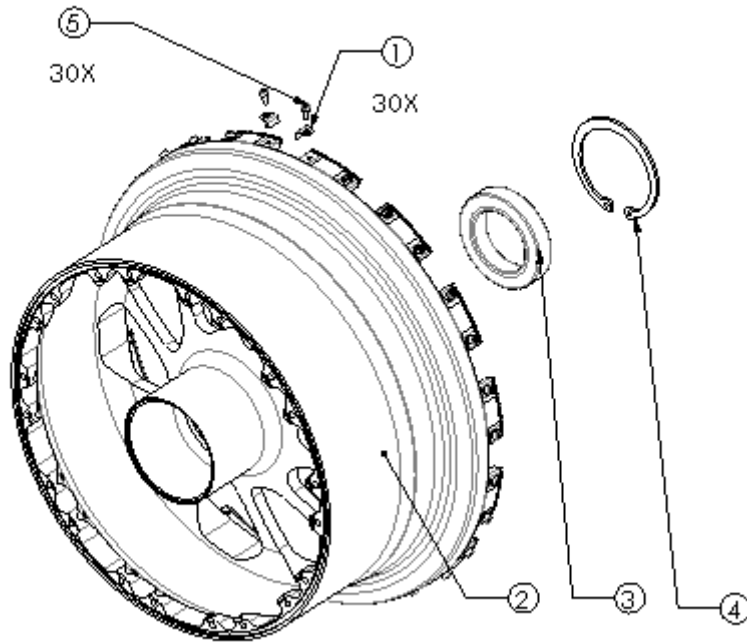
5	V-CHC-005	M3-6(A4)_Clip Screw / Vis Clip	20
4	C-AL-002	Circlip D55	1
3	B-BE-002W	D55_Stainless Steel Bearing/Roulement Inox	1
2	JAI-030	5'' Std_Inner Wheel Half/ Jante Int	1
1	CLP-002	Clip 4'',5''	20
REP	PART NUMBER	DESCRIPTION	QTY.

10.1.39 JI-030.1



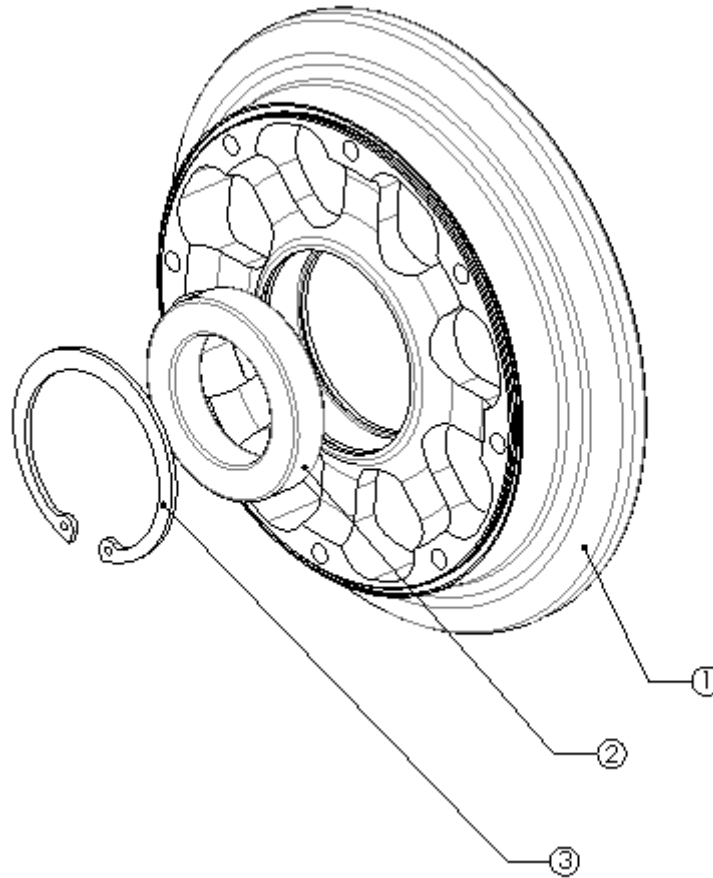
6	V-CHC-005	M3-6(A4)_Clip Screw / Vis Clip	20
5	C-AL-002	Circlip D55	1
4	B-BE-007	Bearing 35-55/Roulement 35-55	1
3	JAI-030	5'' Std_Inner Wheel Half/ Jante Int	1
2	CLP-002	Clip 4'',5''	20
1	BGE-015	Bearing Spacer 55/Entretoise Rlt 55	2
REP	PART NUMBER	DESCRIPTION	QTY.

10.1.40 JI-031



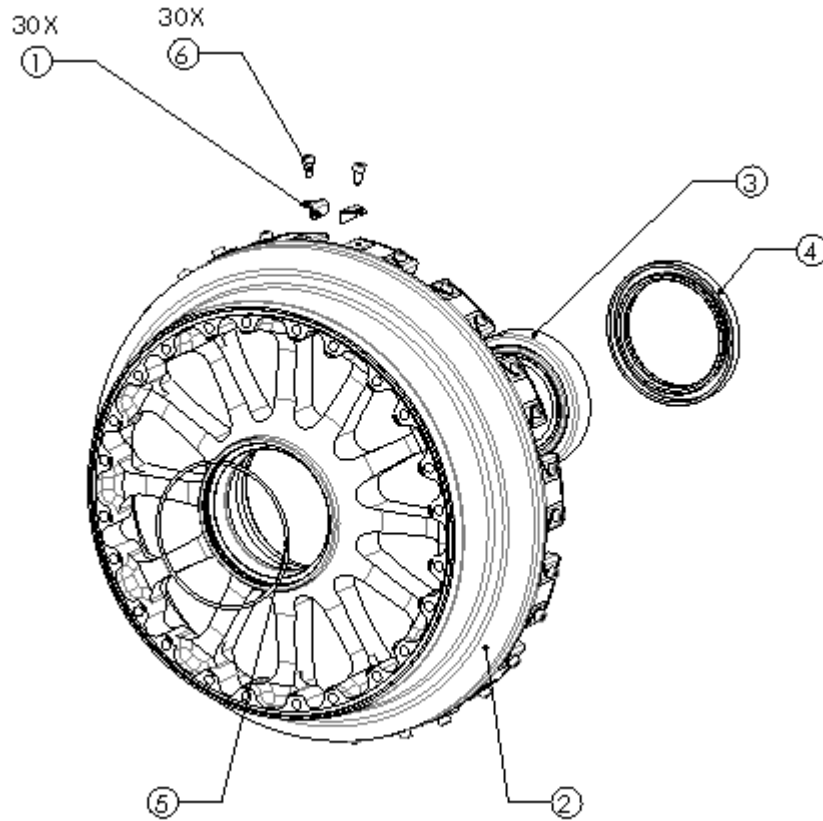
5	V-CHC-005	M3-6(A4)_Clip Screw / Vis Clip	30
4	C-AL-003	Circlip D62	1
3	B-BE-013	D62_Bearing/ Roulement	1
2	JAI-031	Wheel 10''_Inner wheel half/Jante intérieure	1
1	CLP-001	Clip 6'', 10''	30
REP	PART NUMBER	DESCRIPTION	QTY.

10.1.41 JI-032

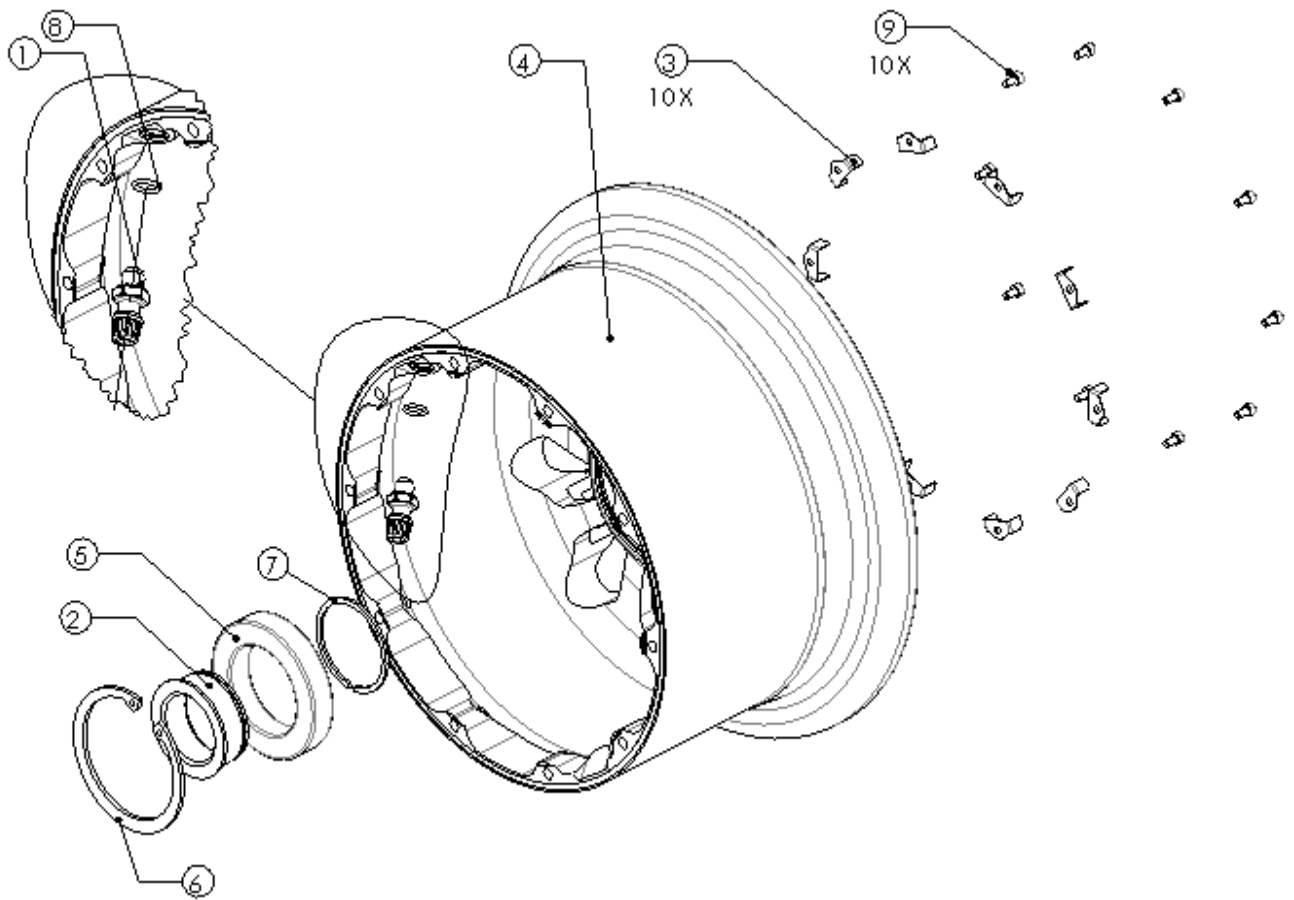


3	C-AL-003	Circlip D62	1
2	B-BE-013	D62_Bearing/ Roulement	1
1	JAI-032	6'' LE_Inner wheel half/Jante Int	1
REP	PART NUMBER	DESCRIPTION	QTY.

10.1.42 JI-036

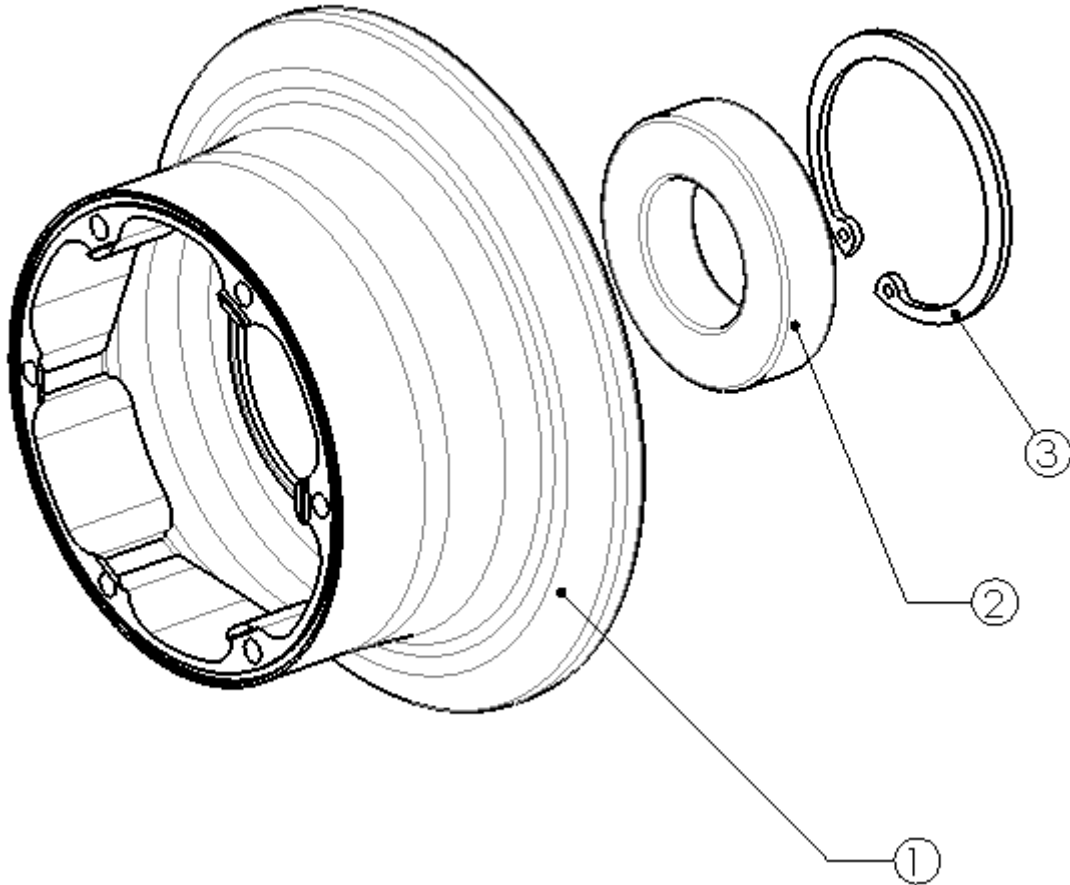


6	V-CHC-010	M4x8 (A4)_Clip Screw/ Vis Chc	30
5	J-JTR-052N	10'' HL_Int O-Ring/ Joint torique Int	1
4	J-JBE-007N	B-RC-006_Lipseal/ Joint à Lèvre	1
3	B-RC-006	D54.8_Bearing/Roulement	1
2	JAI-036	Wheel 10'' HL_Inner Wheel Half/ Jante Int	1
1	CLP-009	Clip 10'' HL	30
REP	PART NUMBER	DESCRIPTION	QTY.

10.1.43 JI-037


9	V-CHC-005	M3-6(A4)_Clip Screw / Vis Clip	10
8	J-JTR-017N	Valve O-Ring/ Joint Valve	1
7	C-AR-012	Segment d'arrêt D40	1
6	C-AL-003	Circlip D62	1
5	B-BE-013	D62_Bearing/ Roulement	1
4	JAI-037(C)	7.00x8''SL_Inner wheel half/ Jante Int	1
3	CLP-004(A)	Clip 6''SL	10
2	BGE-051(B)	∅30-∅40_Bearing Bushing / Bague Rit	1
1	A-001	Valve	1
REP	PART NUMBER	DESCRIPTION	QTY.

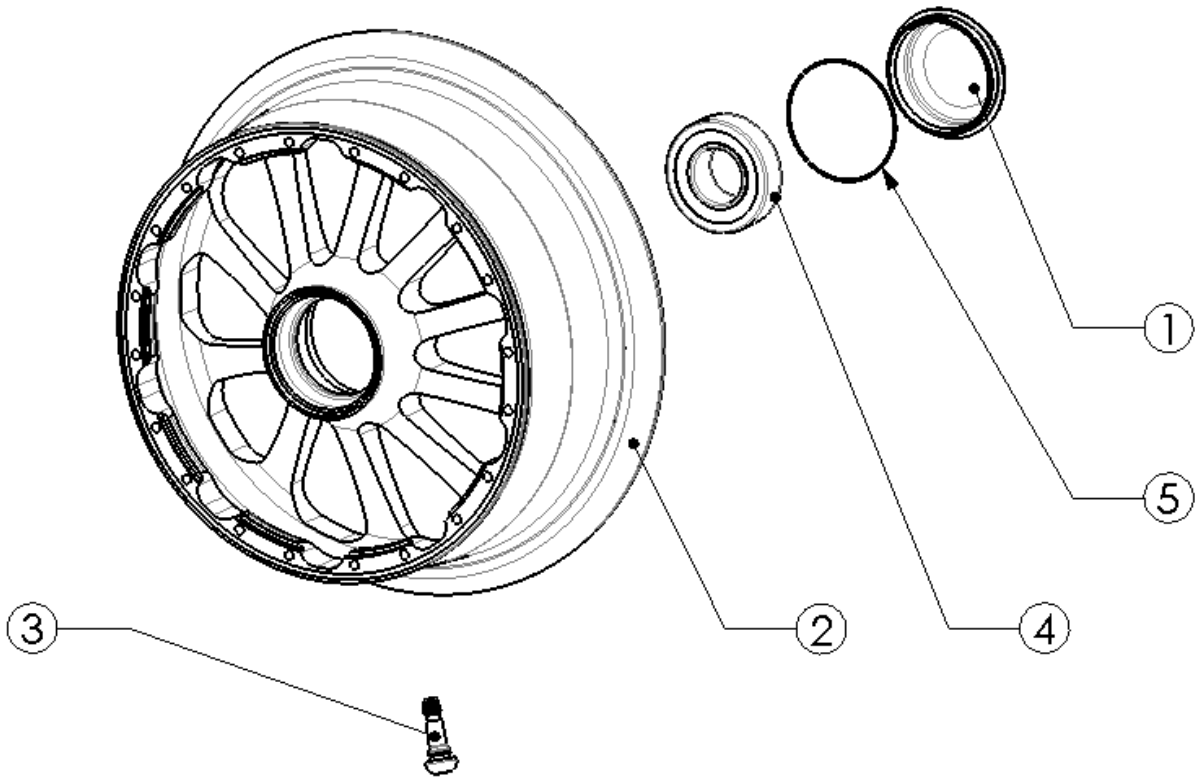
10.1.44 JI-038



3	C-AL-002	Circlip D55	1
2	B-BE-002	D55_Bearing/Roulement	1
1	JAI-038	5.00x4'' Std_Inner Wheel half/Jante int	1
REP	PART NUMBER	DESCRIPTION	QTY.

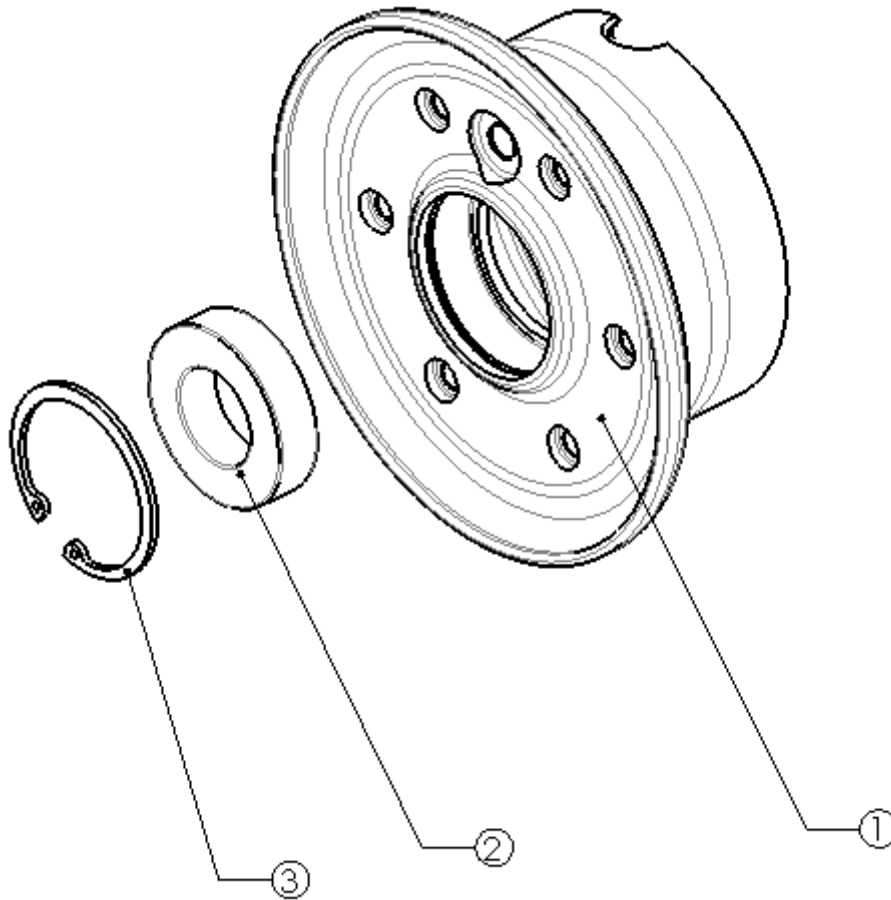
10.2 Inner Wheel Assy JI

10.2.1 JE-004

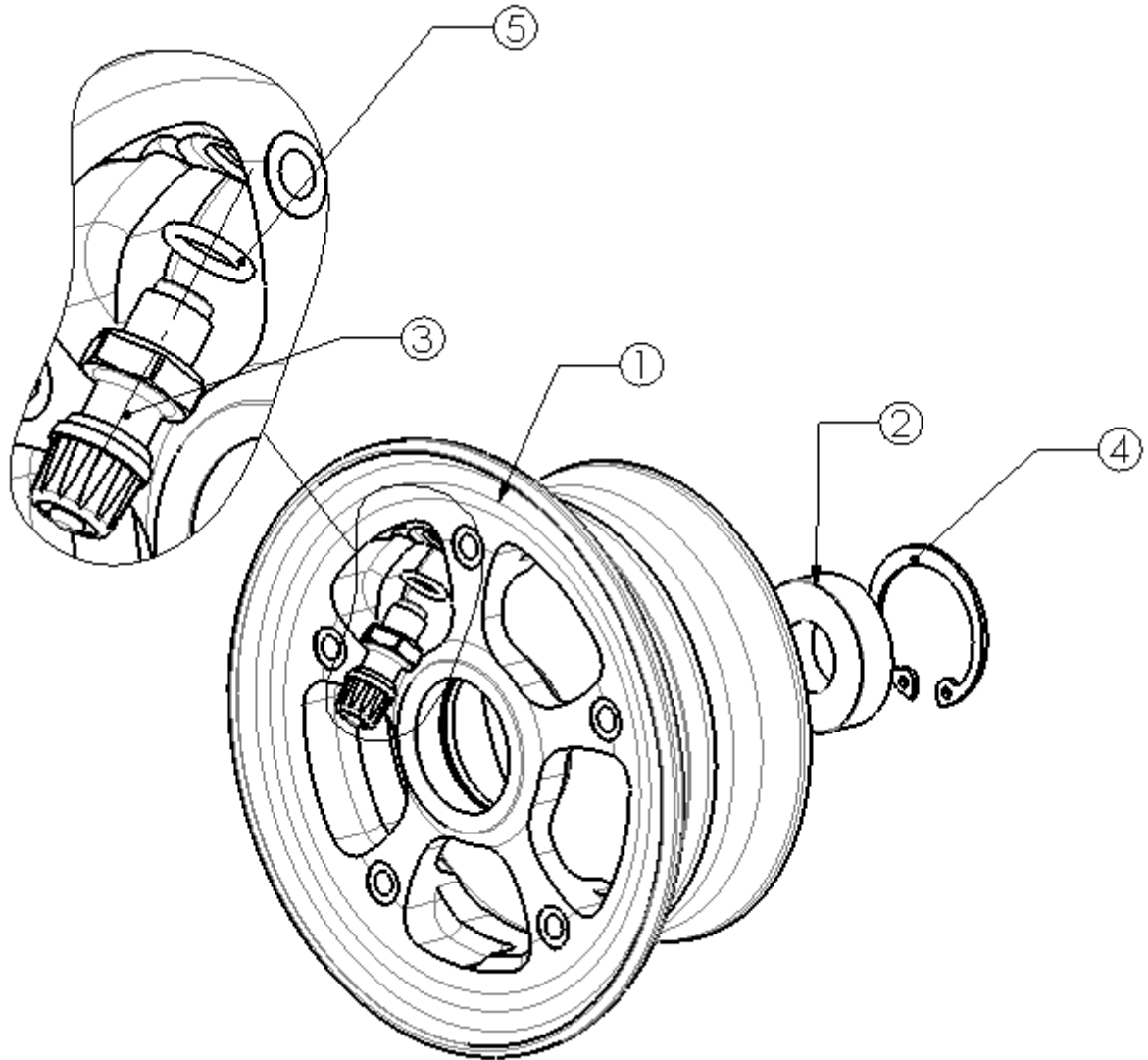


5	J-JTR-009N	BCH-001_O-Ring /Joint torique	1
4	B-RC-001	D72_Outer Bearing/ Rlt à rouleaux conique	1
3	A-002	Valve	1
2	JAE-004	11.00-12''_Outer Wheel Half Assy/Jante Ext	1
1	BCH-001	12''_Hub Cap/ Bouchon de roue	1
REP	PART NUMBER	DESCRIPTION	QTY.

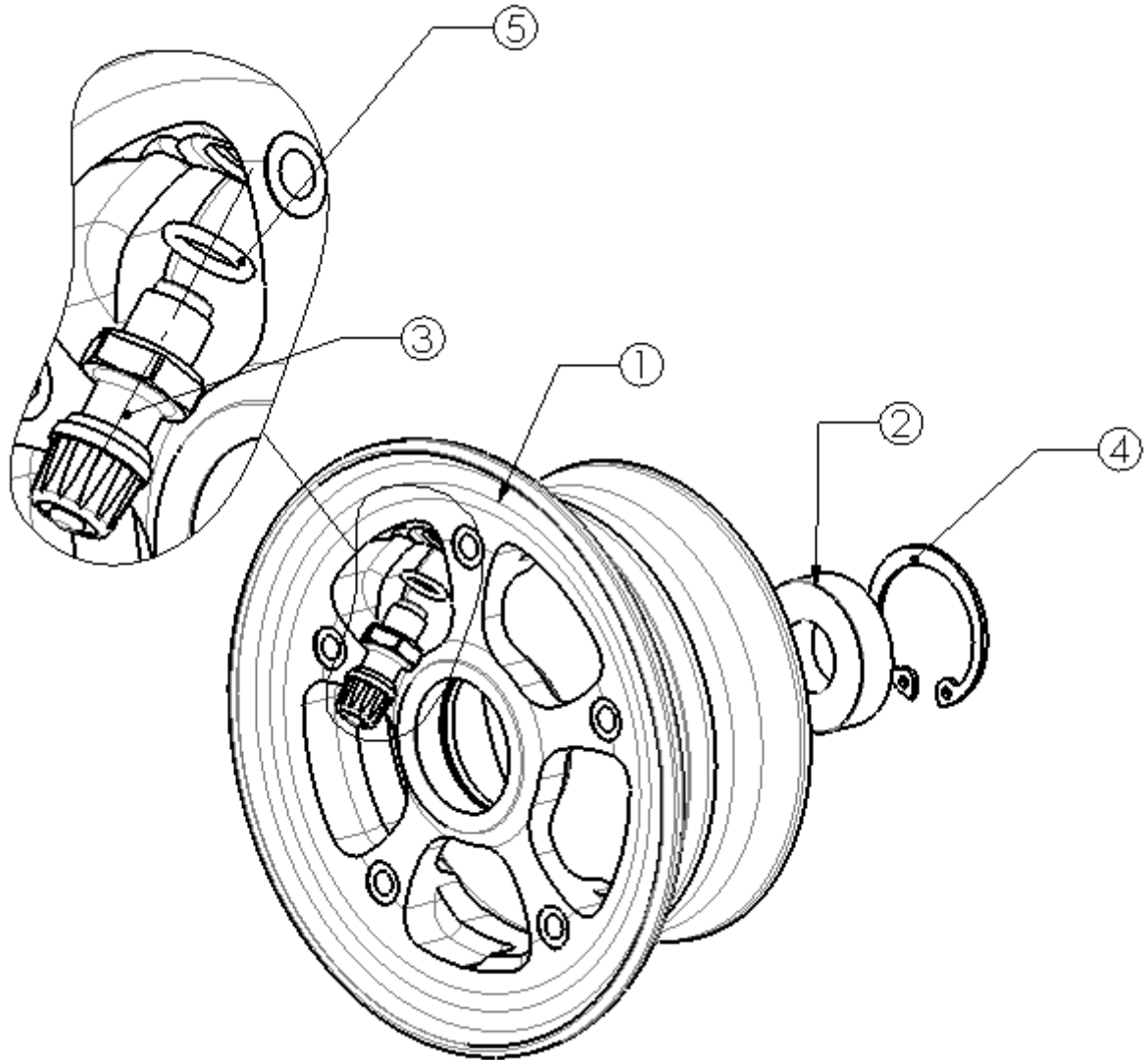
10.2.2 JE-005



3	C-AL-001	Circlip D47	1
2	B-BE-001	D47_Bearing/Roulement	1
1	JAE-005	5.00x4''_Outer wheel half/Jante ext	1
REP	PART NUMBER	DESCRIPTION	QTY.

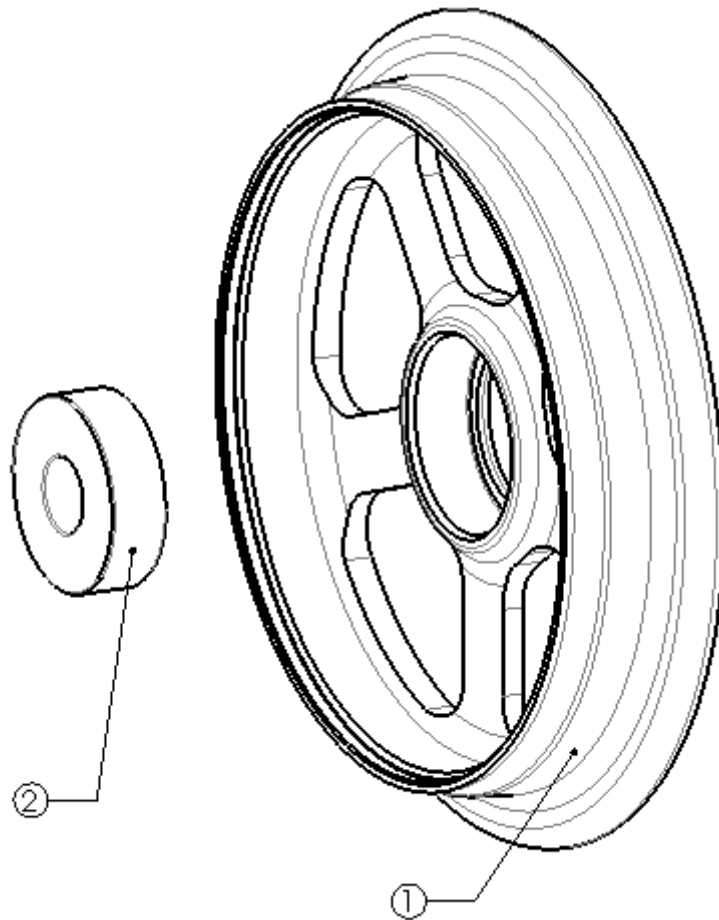
10.2.3 JE-009


5	J-JTR-017N	Valve O-Ring/ Joint Valve	1
4	C-AL-009	Circlip D32	1
3	A-001	Valve	1
2	B-BE-010	D32_Bearing/Roulement	1
1	JAE-009	3.5x4''_Outer wheel half/ Jante EXT	1
REP	PART NUMBER	DESCRIPTION	QTY.

10.2.4 JE-009W


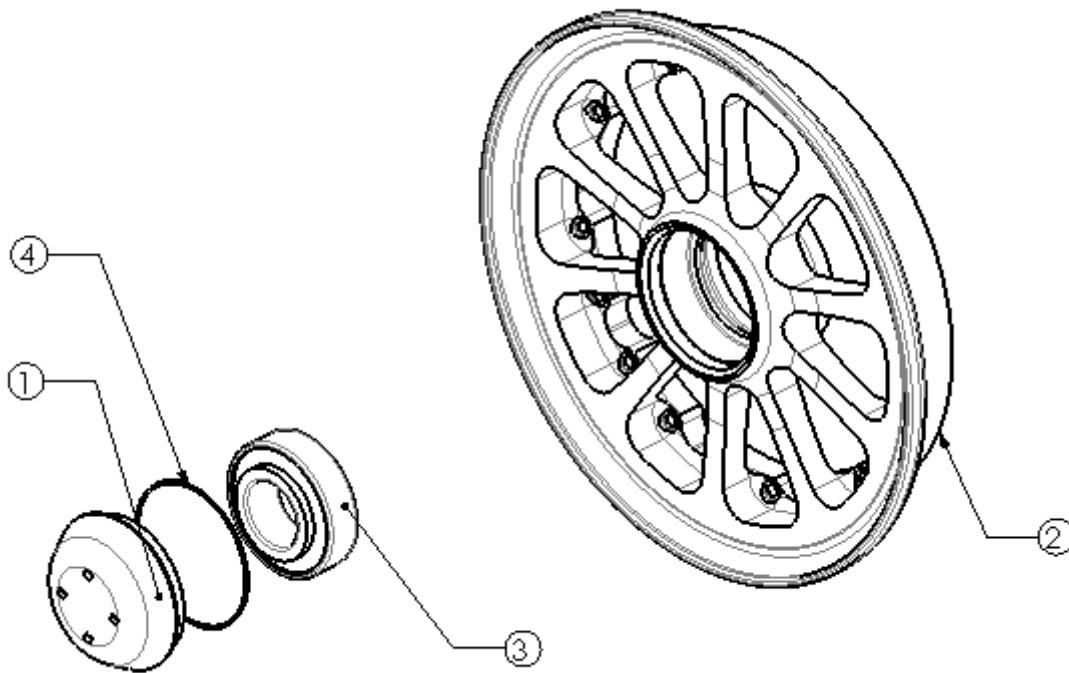
5	J-JTR-017N	Valve O-Ring/ Joint Valve	1
4	C-AL-009	Circlip D32	1
3	A-001	Valve	1
2	B-BE-010W	D32_Stainless Steel Bearing/Roulement Inox	1
1	JAE-009	3.5x4'' _Outer wheel half/ Jante EXT	1
REP	PART NUMBER	DESCRIPTION	QTY.

10.2.5 JE-010



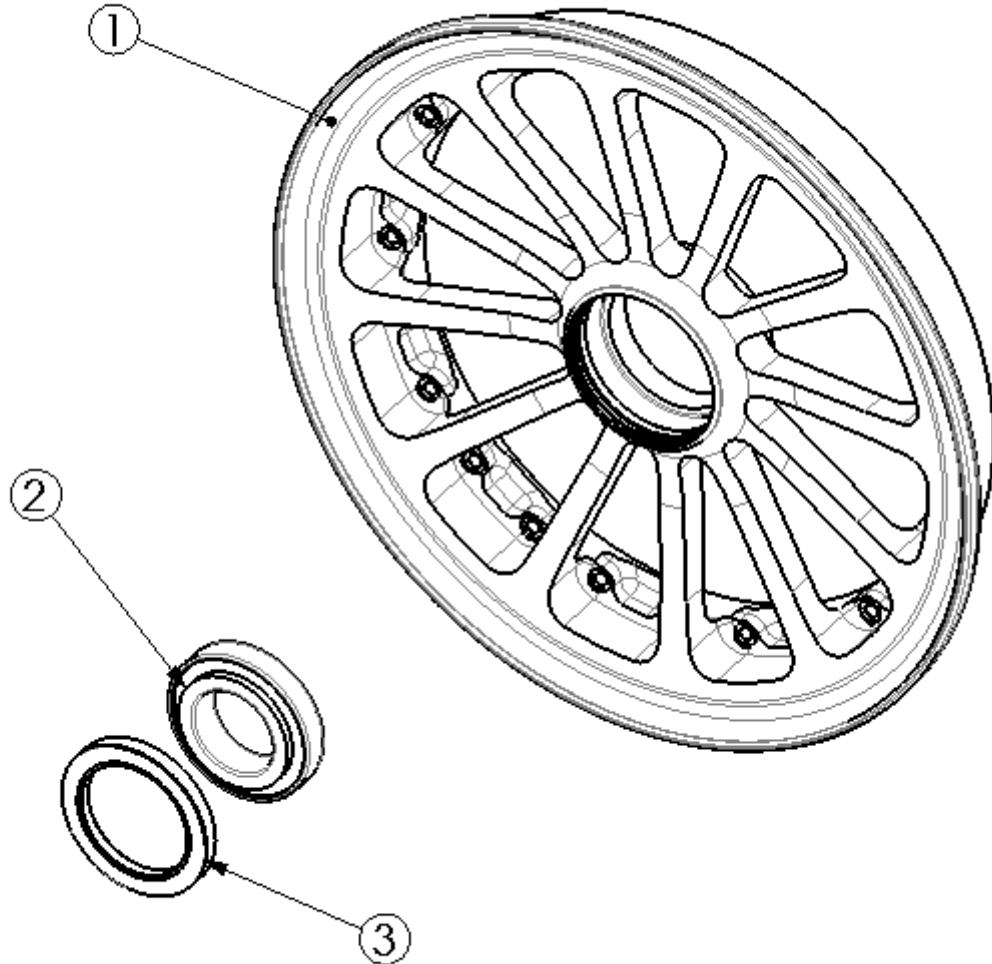
2	B-BE-011	D26_Bearing/Roulement	1
1	JAE-010	Wheel 200x50_Outer Wheel Half / Jante Ext	1
REP	PART NUMBER	DESCRIPTION	QTY.

10.2.6 JE-013

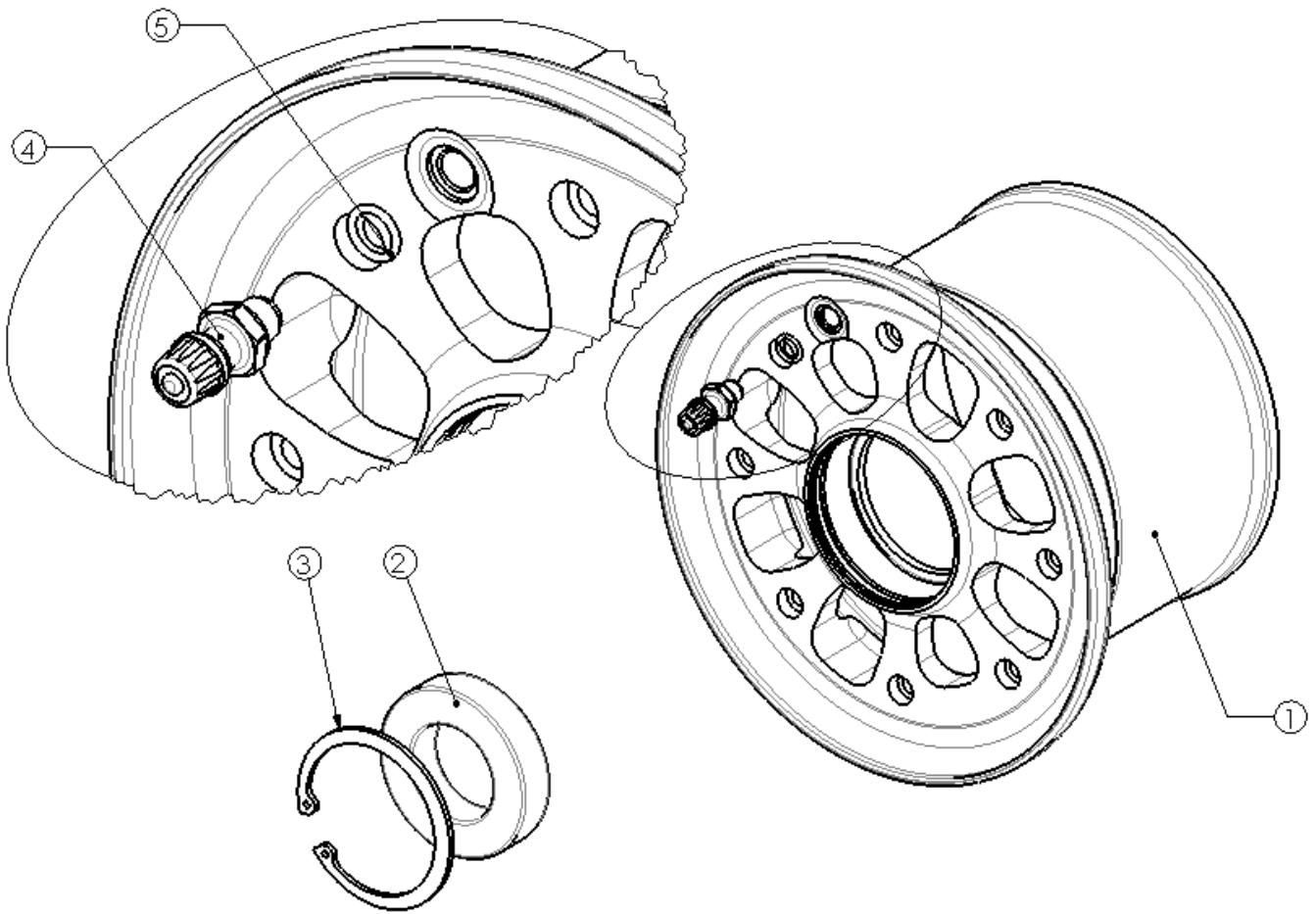


4	J-JTR-009N	BCH-001_O-Ring /Joint torique	1
3	B-RC-001	D72_Outer Bearing/ Rlt à rouleaux conique	1
2	JAE-013	24x7.7_Outer wheel half/ Jante Ext	1
1	BCH-001	12''_Hub Cap/ Bouchon de roue	1
REP	PART NUMBER	DESCRIPTION	QTY.

10.2.7 JE-014

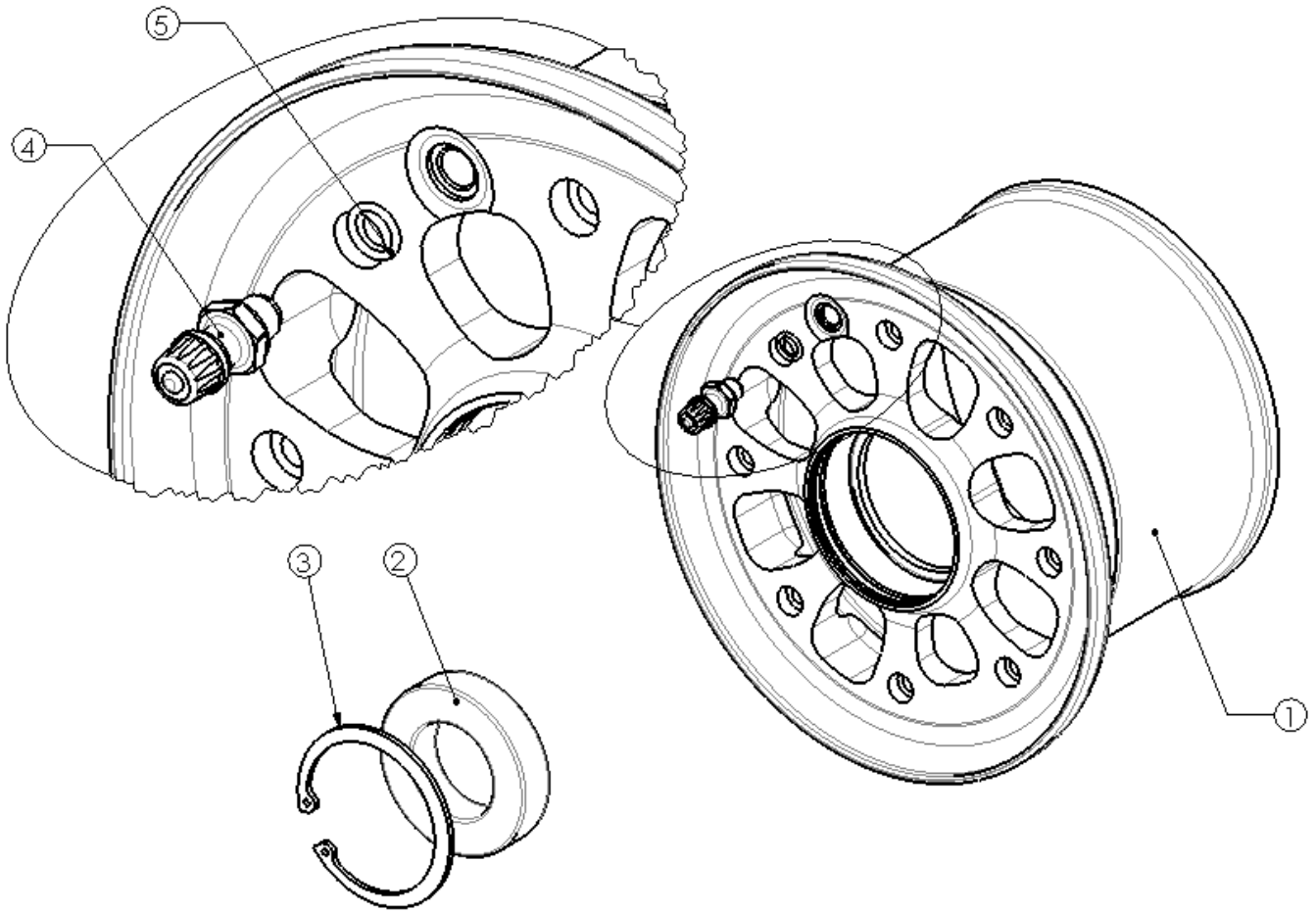


3	J-JBE-004N	Ø75_Lipseal/ Joint a levre	1
2	B-RC-003	D73_Bearing/Roulement	1
1	JAE-014	8.9x12.5_Outer Wheel Half / Jante Ext	1
REP	PART NUMBER	DESCRIPTION	QTY.

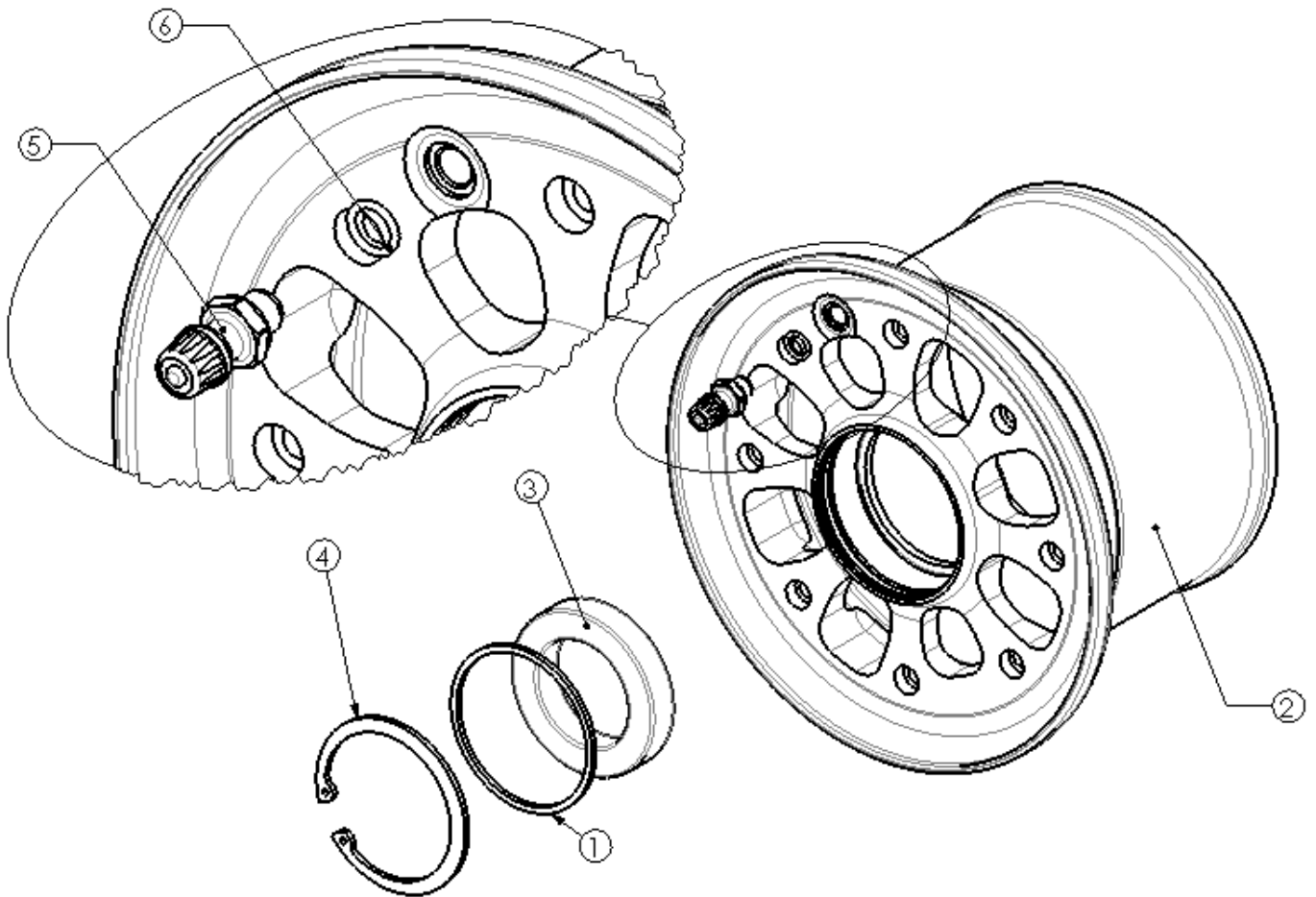
10.2.8 JE-015


5	J-JTR-017N	Valve O-Ring/ Joint Valve	1
4	A-001	Valve	1
3	C-AL-003	Circlip D62	1
2	B-BE-003	D62_Bearing/Roulement	1
1	JAE-015	6.00X6'' HE_Outer wheel half/Jante Ext	1
REP	PART NUMBER	DESCRIPTION	QTY.

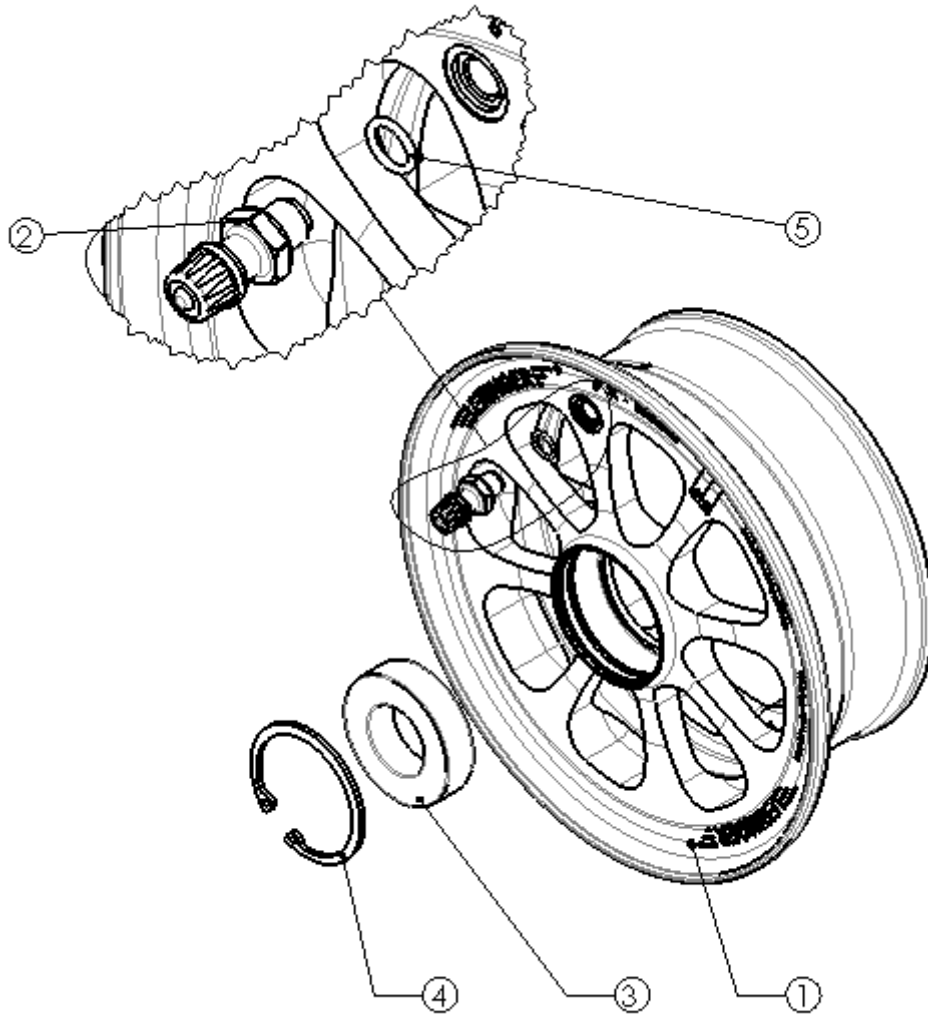
10.2.9 JE-015W



5	J-JTR-017N	Valve O-Ring/ Joint Valve	1
4	A-001	Valve	1
3	C-AL-003	Circlip D62	1
2	B-BE-003W	D62_ Stainless Steel Bearing/Roulement Inox	1
1	JAE-015	6.00X6'' HE_ Outer wheel half/Jante Ext	1
REP	PART NUMBER	DESCRIPTION	QTY.

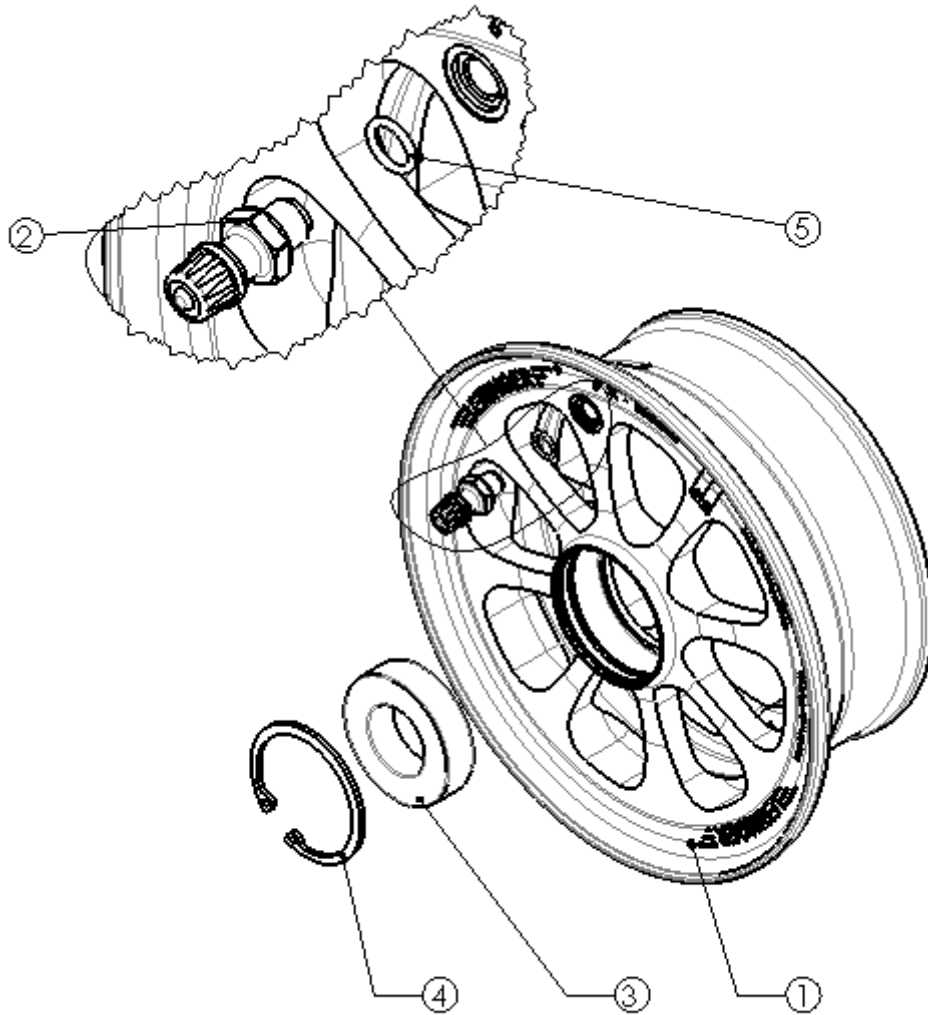
10.2.10 JE-015.1


6	J-JTR-017N	Valve O-Ring/ Joint Valve	1
5	A-001	Valve	1
4	C-AL-003	Circlip D62	1
3	B-BE-013	D62_Bearing/ Roulement	1
2	JAE-015	6.00X6'' HE_Outer wheel half/Jante Ext	1
1	BGE-024	Rlt68_Spacer/ Bague	1
REP	PART NUMBER	DESCRIPTION	QTY.

10.2.11 JE-016


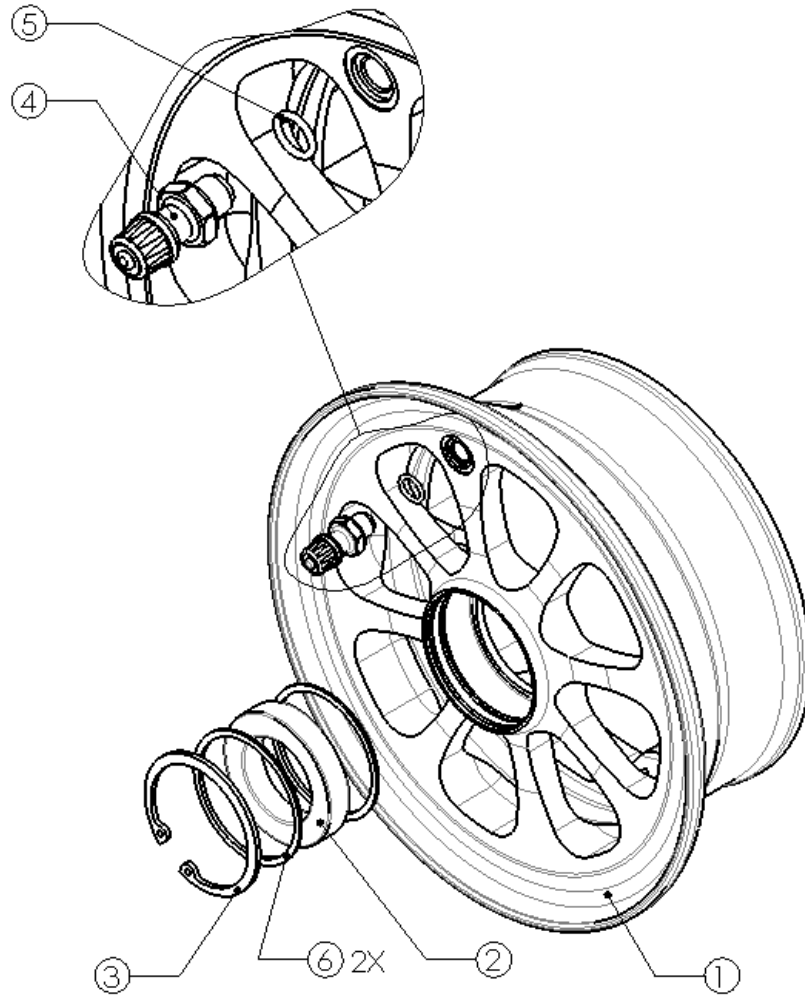
5	J-JTR-017N	Valve O-Ring/ Joint Valve	1
4	C-AL-001	Circlip D47	1
3	B-BE-001	D47_Bearing/Roulement	1
2	A-001	Valve	1
1	JAE-016	4.00x6'' SL_Outer wheel half/ Jante Ext	1
REP	PART NUMBER	DESCRIPTION	QTY.

10.2.12 JE-016W



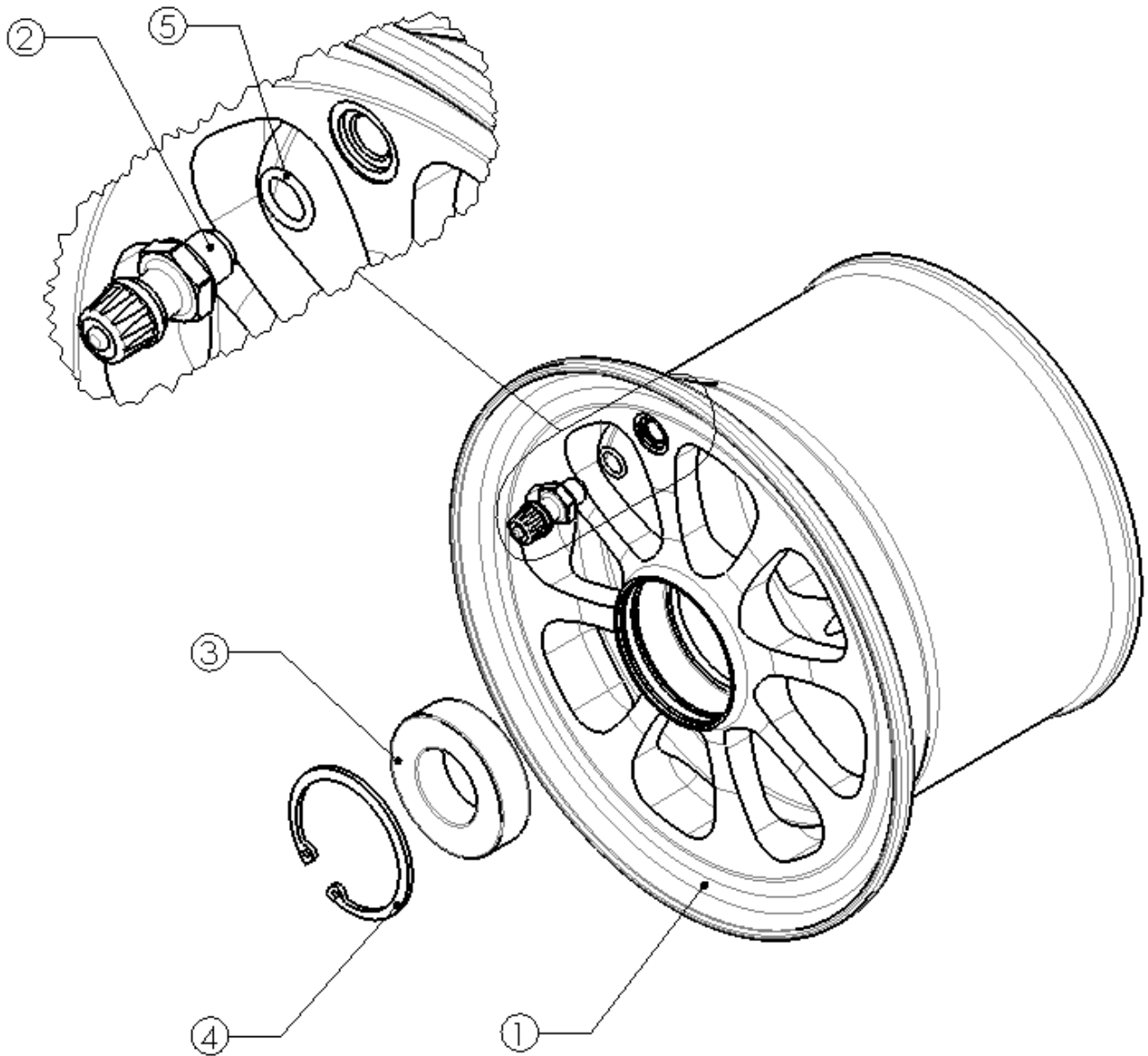
5	J-JTR-017N	Valve O-Ring/ Joint Valve	1
4	C-AL-001	Circlip D47	1
3	B-BE-001W	D47_ Stainless Steel Bearing/Roulement Inox	1
2	A-001	Valve	1
1	JAE-016	4.00x6'' SL_ Outer wheel half/ Jante Ext	1
REP	PART NUMBER	DESCRIPTION	QTY.

10.2.13 JE-016.1

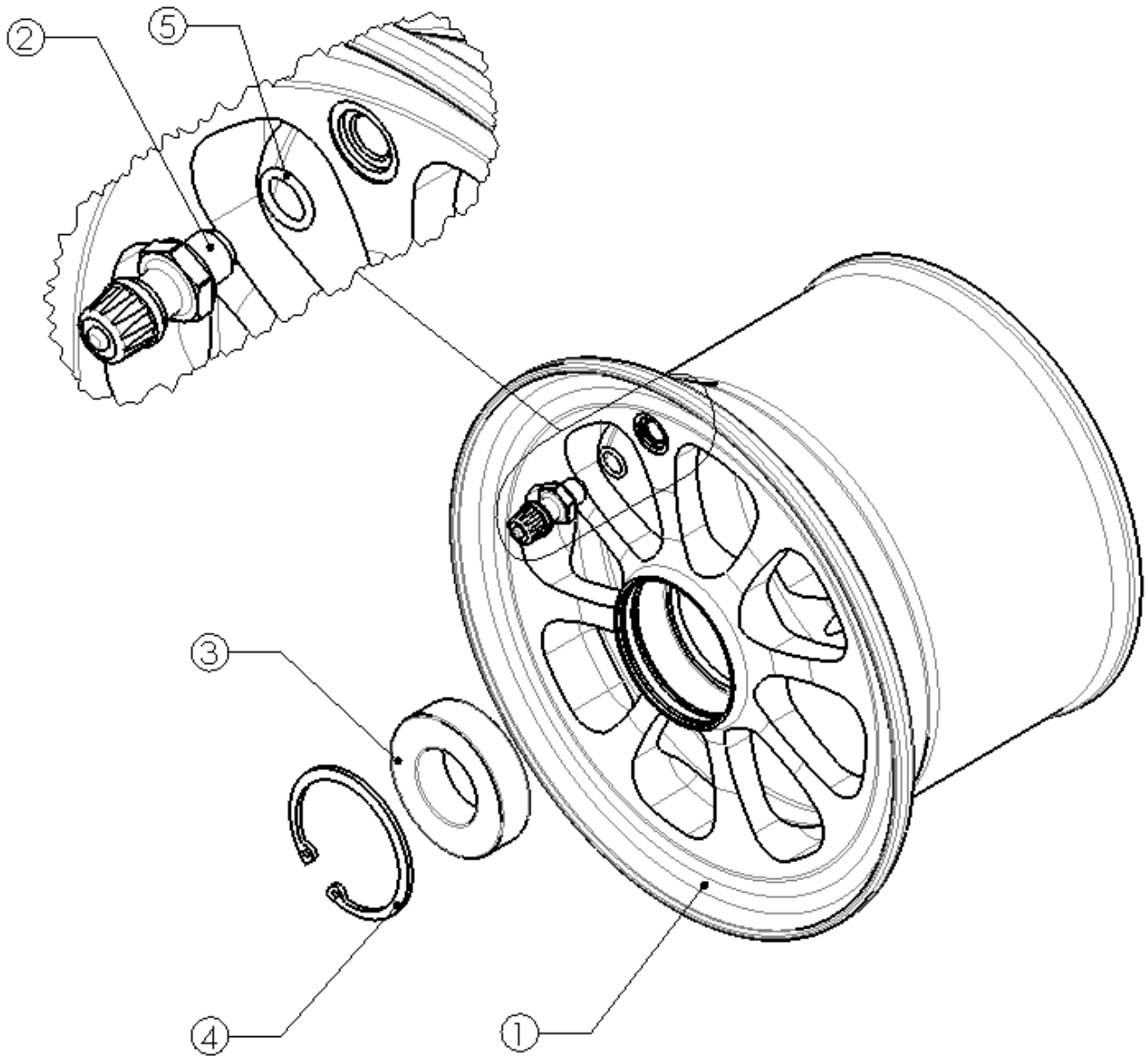


6	BGE-014	Bearing Spacer 47/Entretoise Rlt 47	2
5	J-JTR-017N	Valve O-Ring/ Joint Valve	1
4	A-001	Valve	1
3	C-AL-001	Circlip D47	1
2	B-BE-012	Bearing 30-47/Roulement 30-47	1
1	JAE-016	4.00x6'' SL_Outer wheel half/ Jante Ext	1
REP	PART NUMBER	DESCRIPTION	QTY.

10.2.14 JE-017

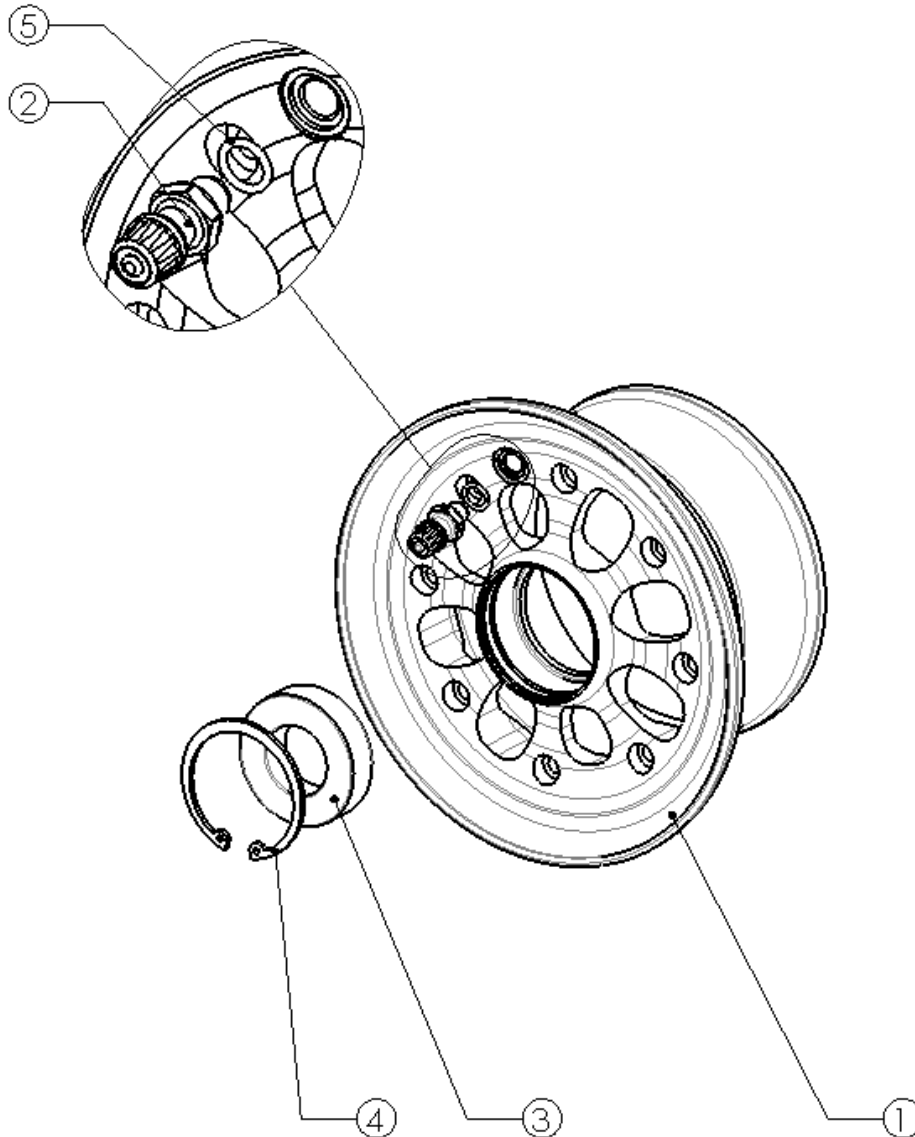


5	J-JTR-017N	Valve O-Ring/ Joint Valve	1
4	C-AL-001	Circlip D47	1
3	B-BE-001	D47_Bearing/Roulement	1
2	A-001	Valve	1
1	JAE-017	6.00x6''SL_ Outer wheel half/Jante Ext	1
REP	PART NUMBER	DESCRIPTION	QTY.

10.2.15 JE-017W


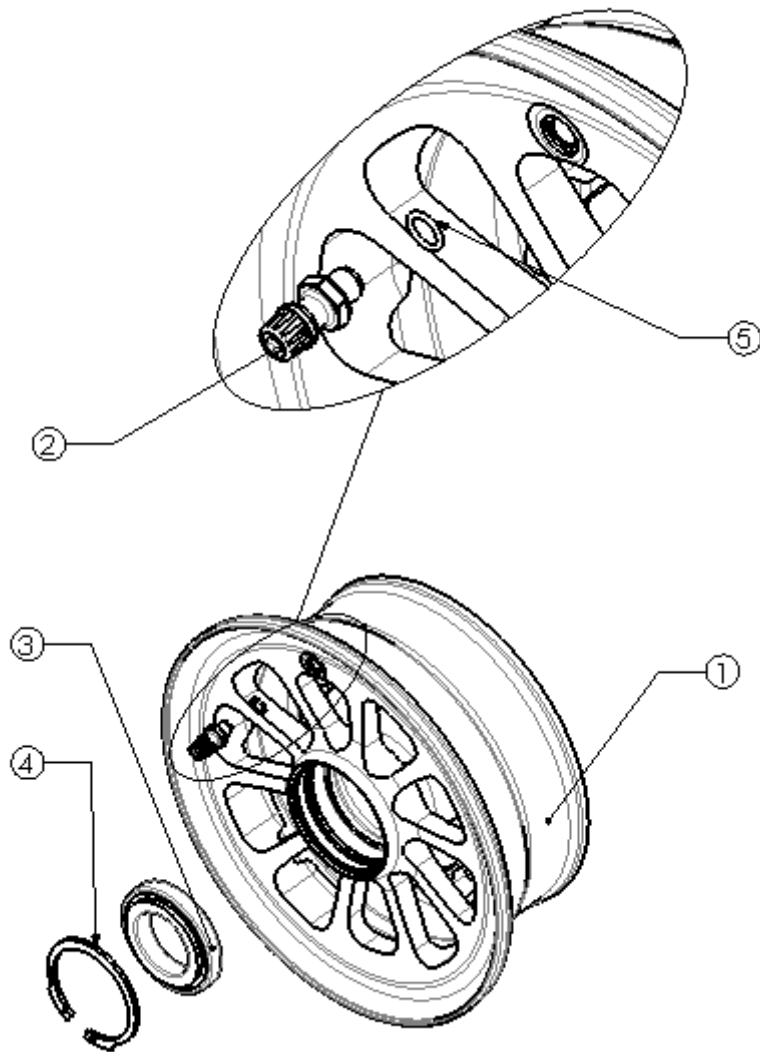
5	J-JTR-017N	Valve O-Ring/ Joint Valve	1
4	C-AL-001	Circlip D47	1
3	B-BE-001W	D47_ Stainless Steel Bearing/Roulement Inox	1
2	A-001	Valve	1
1	JAE-017	6.00x6''SL_ Outer wheel half/Jante Ext	1
REP	PART NUMBER	DESCRIPTION	QTY.

10.2.16 JE-019



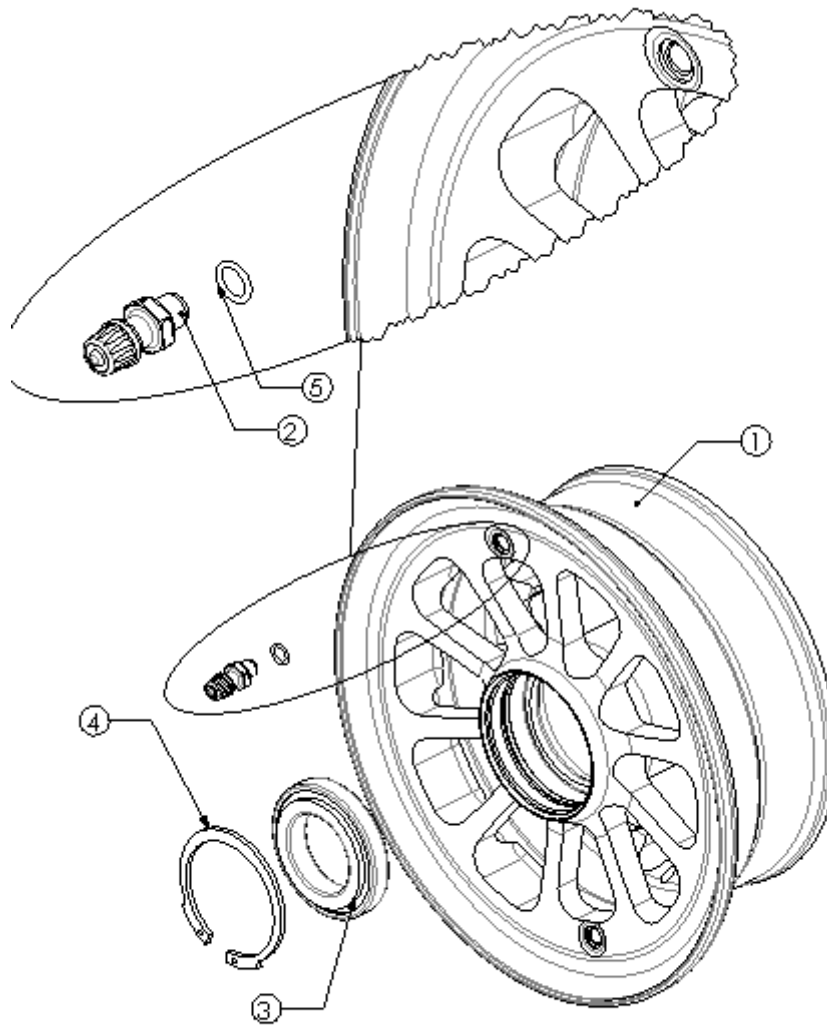
5	J-JTR-017N	Valve O-Ring/ Joint Valve	1
4	C-AL-001	Circlip D47	1
3	B-BE-001	D47_Bearing/Roulement	1
2	A-001	Valve	1
1	JAE-019	5''Std_Outer wheel half/ Jante Ext	1
REP	PART NUMBER	DESCRIPTION	QTY.

10.2.17 JE-021



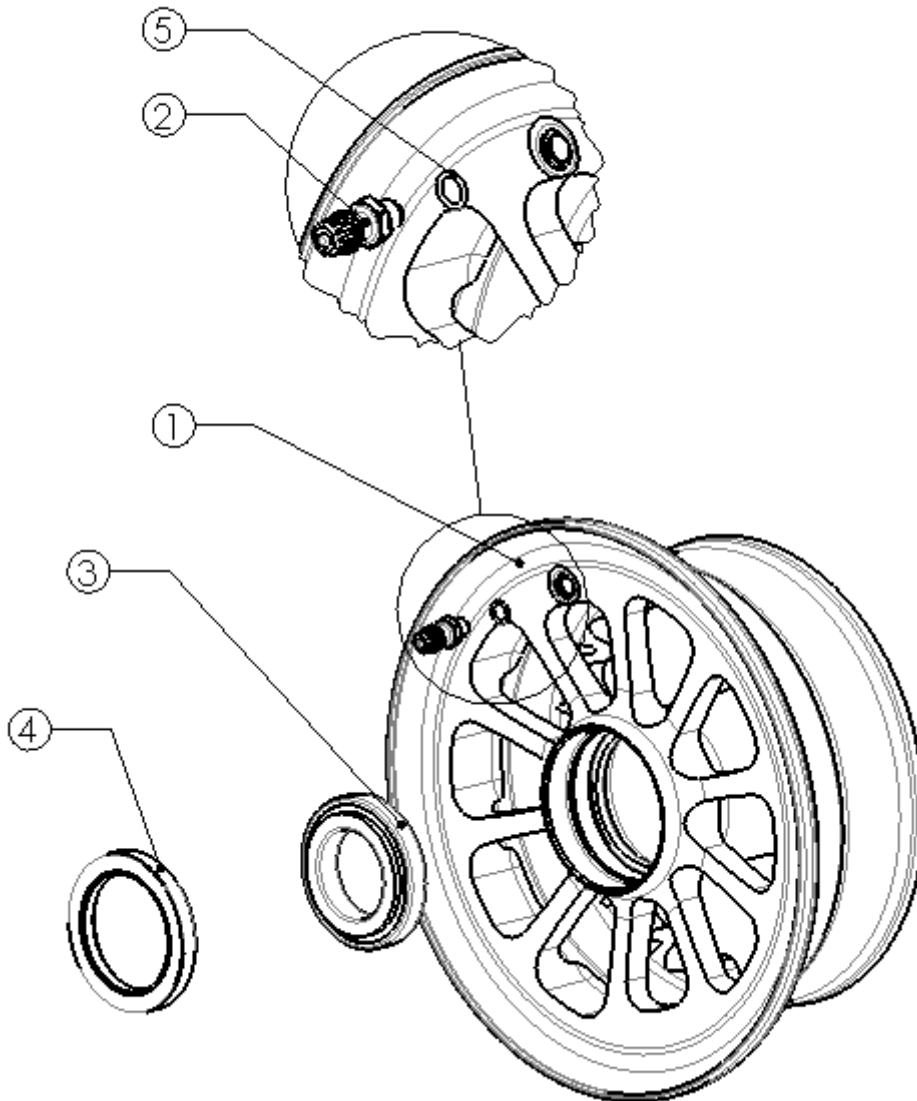
5	J-JTR-017N	Valve O-Ring/ Joint Valve	1
4	C-AL-011	B-RC-004_Circlip	1
3	B-RC-004	D38.1_Bearing/Roulement	1
2	A-001	Valve	1
1	JAE-021	18x5.5_Outer wheel half/ Jante Ext	1
REP	PART NUMBER	DESCRIPTION	QTY.

10.2.18 JE-021.1

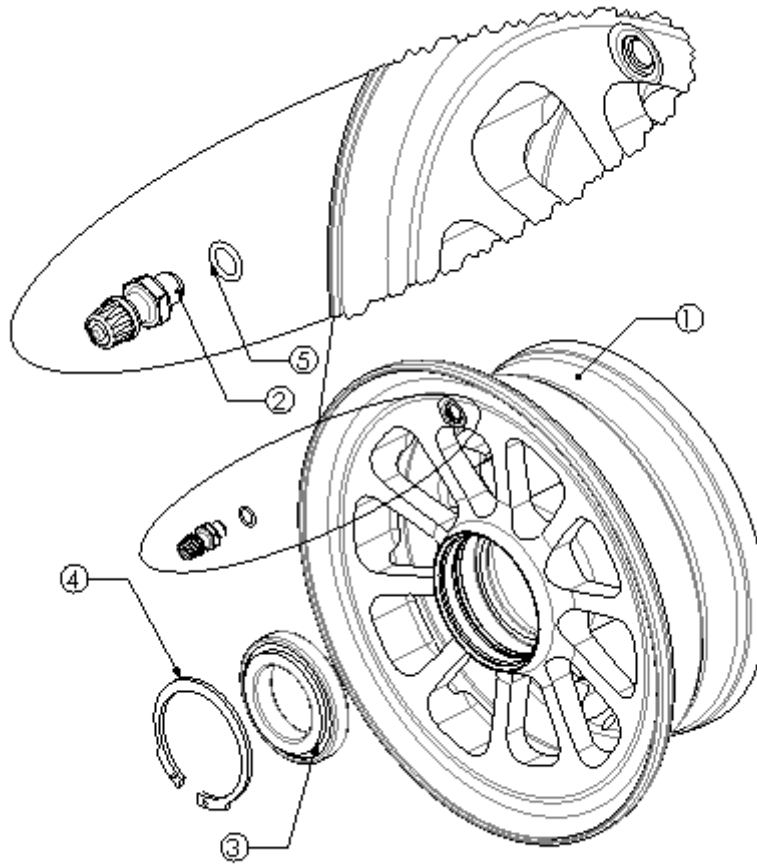


5	J-JTR-017N	Valve O-Ring/ Joint Valve	1
4	C-AL-011	B-RC-004_Circlip	1
3	B-RC-004	D38.1_Bearing/Roulement	1
2	A-001	Valve	1
1	JAE-021	18x5.5_Outer wheel half/ Jante Ext	1
REP	PART NUMBER	DESCRIPTION	QTY.

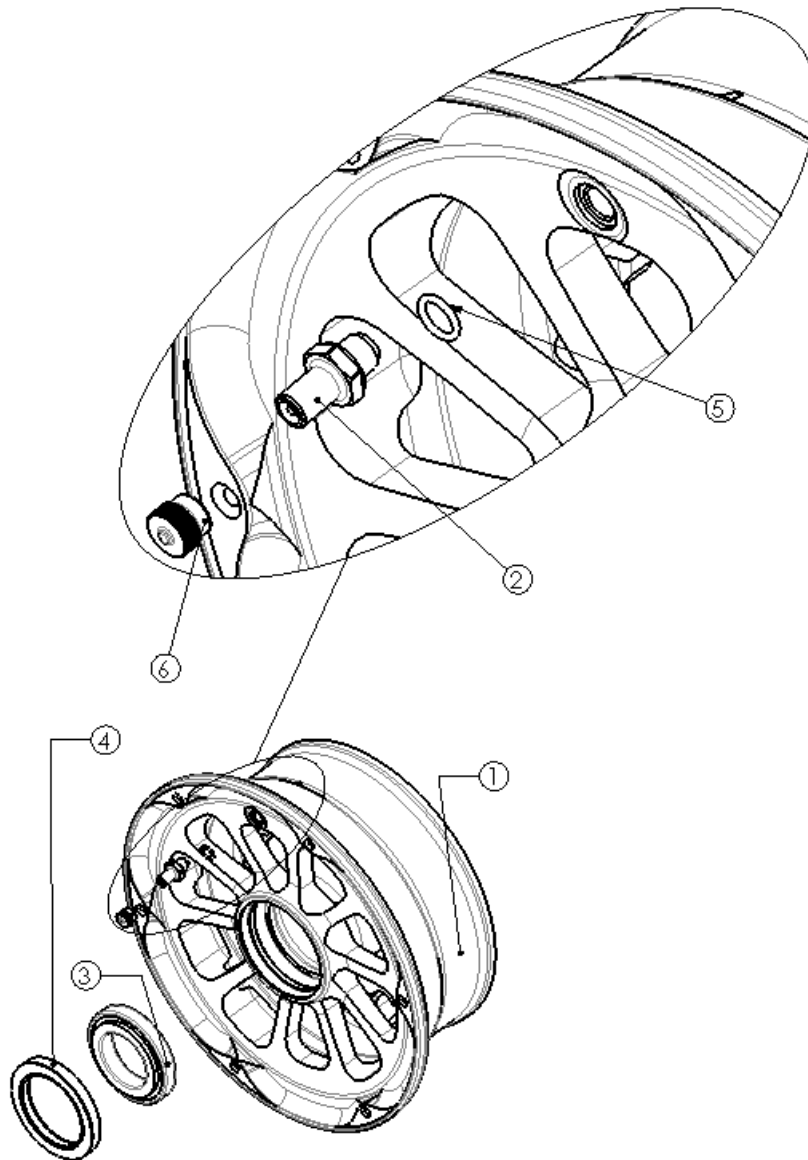
10.2.19 JE-021.2



5	J-JTR-017N	Valve O-Ring/ Joint Valve	1
4	C-AL-011	B-RC-004_Circlip	1
3	B-RC-004	D38.1_Bearing/Roulement	1
2	A-001	Valve	1
1	JAE-021.4	18x5.5_Outer wheel half/ Jante Ext	1
REP	PART NUMBER	DESCRIPTION	QTY.

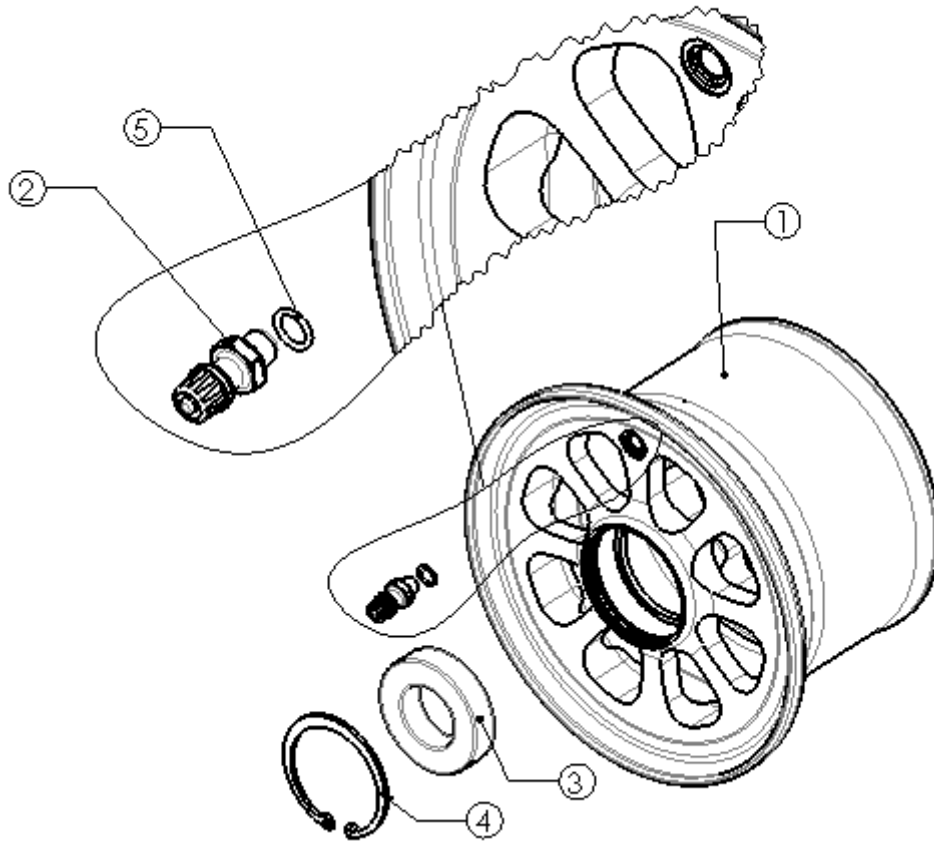
10.2.20 JE-021.3


5	J-JTR-017N	Valve O-Ring/ Joint Valve	1
4	C-AL-011	B-RC-004_Circlip	1
3	B-RC-004	D38.1_Bearing/Roulement	1
2	A-001	Valve	1
1	JAE-021.1	"18x5.5(2024) High Load_Outer wheel half/ Jante	1
REP	PART NUMBER	DESCRIPTION	QTY.

10.2.21 JE-021.4


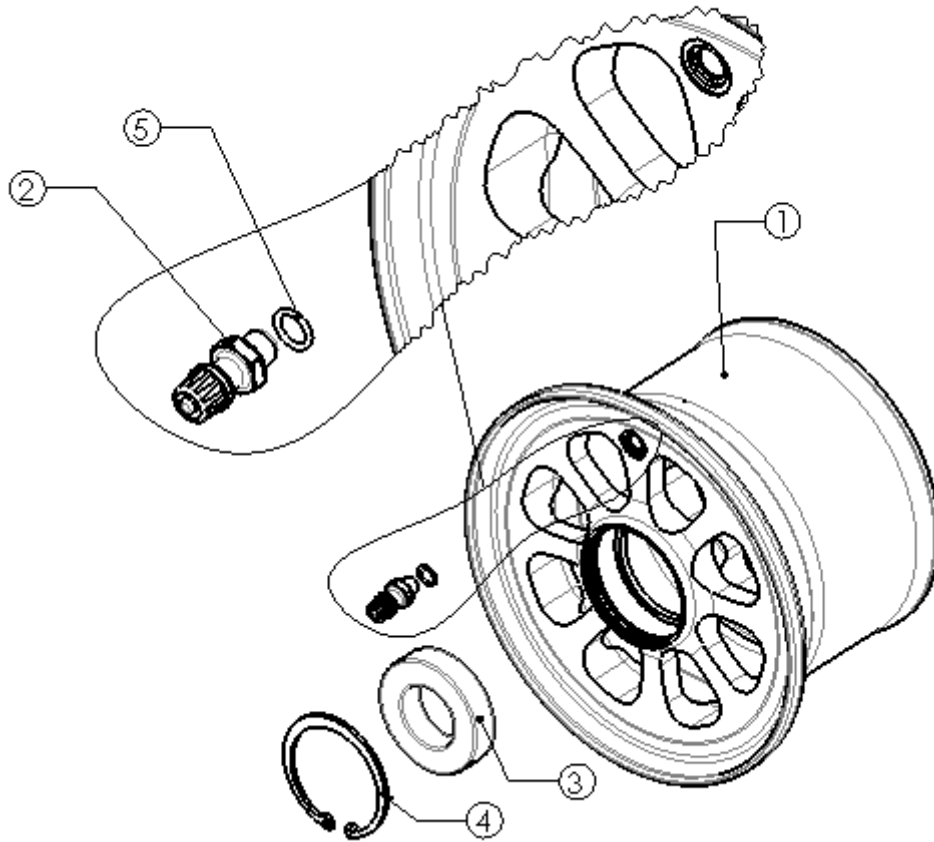
6	A-001.4	Metallic Cap / Bouchon Métallique	1
5	J-JTR-017N	Valve O-Ring/ Joint Valve	1
4	J-JBE-005N	BR-C-004_Lipseal/ Joint Spy	1
3	B-RC-004	D38.1_Bearing/Roulement	1
2	A-001	Valve	1
1	JAE-021.3	18x5.5 (Cover)_Outer wheel half/ Jante Ext	1
REP	PART NUMBER	DESCRIPTION	QTY.

10.2.22 JE-023



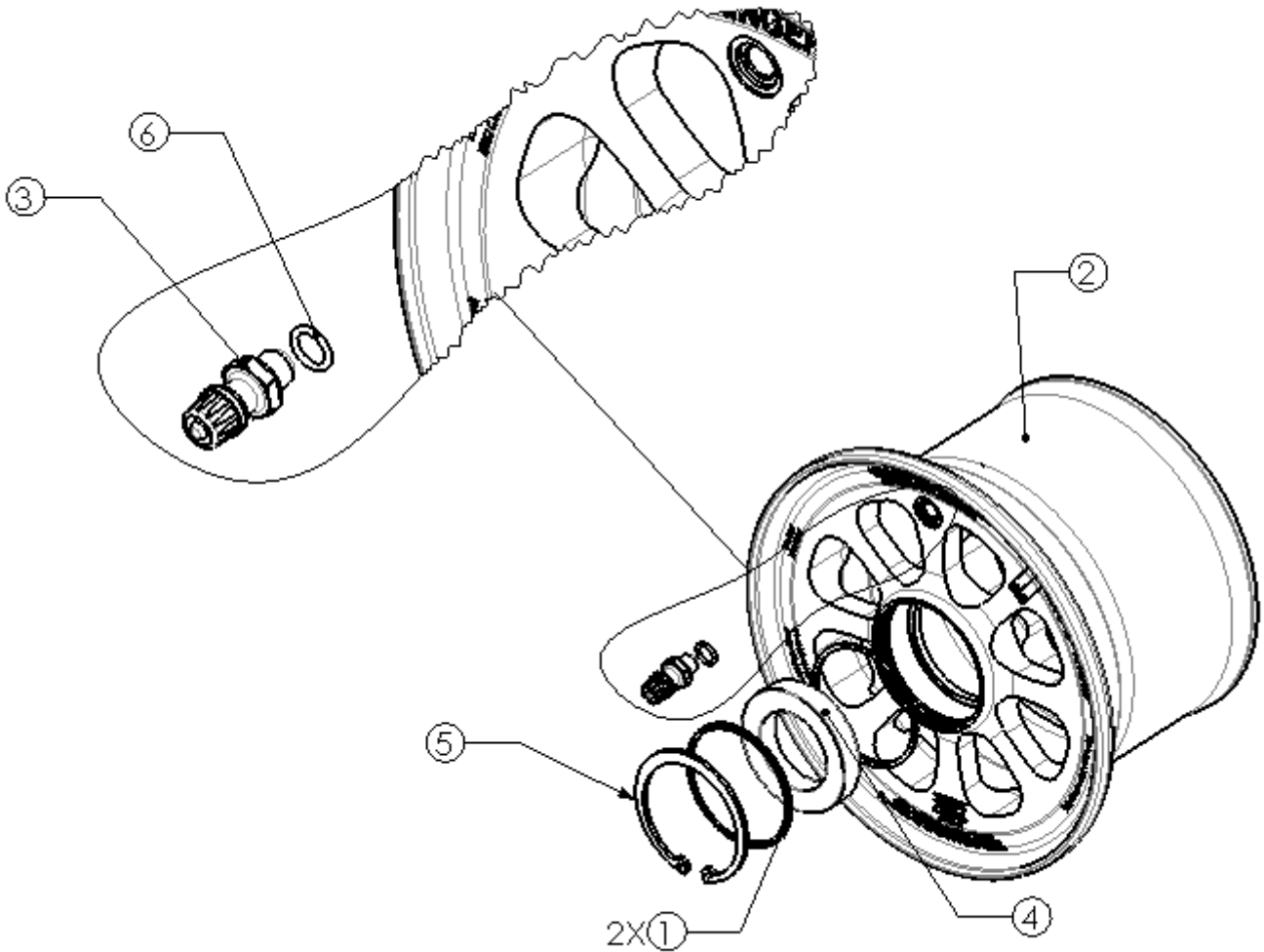
5	J-JTR-017N	Valve O-Ring/ Joint Valve	1
4	C-AL-002	Circlip D55	1
3	B-BE-002	D55_Bearing/Roulement	1
2	A-001	Valve	1
1	JAE-023	6.00x6'' LE_Outer wheel half/Jante Ext	1
REP	PART NUMBER	DESCRIPTION	QTY.

10.2.23 JE-023W



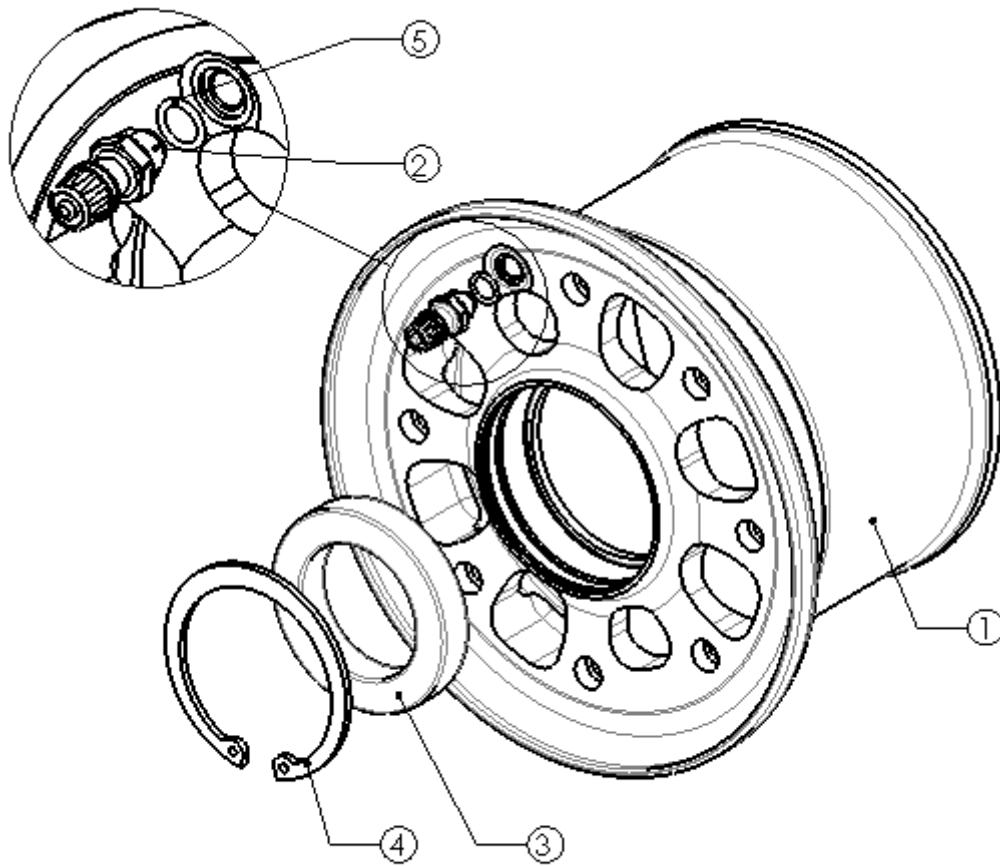
5	J-JTR-017N	Valve O-Ring/ Joint Valve	1
4	C-AL-002	Circlip D55	1
3	B-BE-002W	D55_ Stainless Steel Bearing/Roulement Inox	1
2	A-001	Valve	1
1	JAE-023	6.00x6'' LE_ Outer wheel half/Jante Ext	1
REP	PART NUMBER	DESCRIPTION	QTY.

10.2.24 JE-023.1



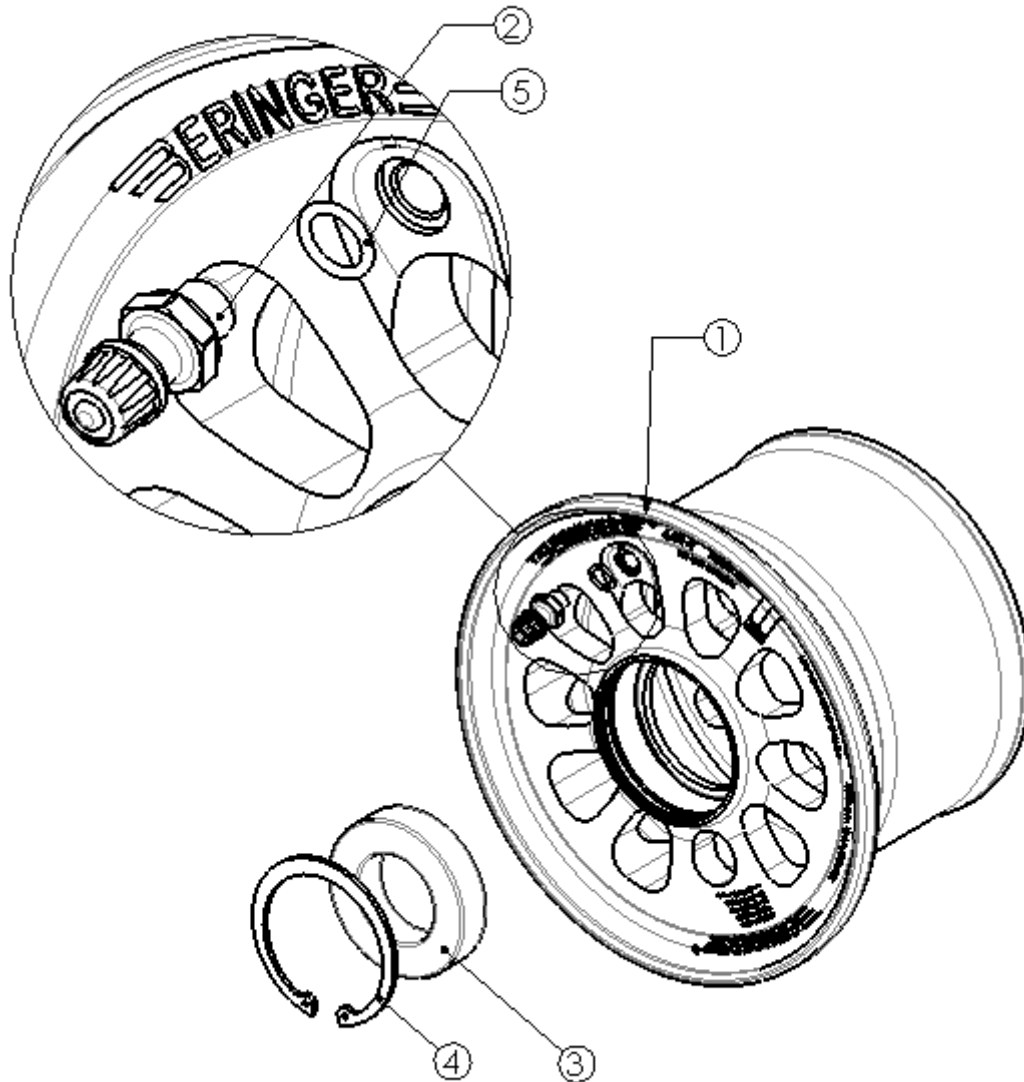
6	J-JTR-017N	Valve O-Ring/ Joint Valve	1
5	C-AL-002	Circlip D55	1
4	B-BE-007	Bearing 35-55/Roulement 35-55	1
3	A-001	Valve	1
2	JAE-023	Marking 6.00x6'' LE_Outer wheel half/Jante Ext	1
1	BGE-015	Bearing Spacer 55/Entretoise Rlt 55	2
REP	PART NUMBER	DESCRIPTION	QTY.

10.2.25 JE-024



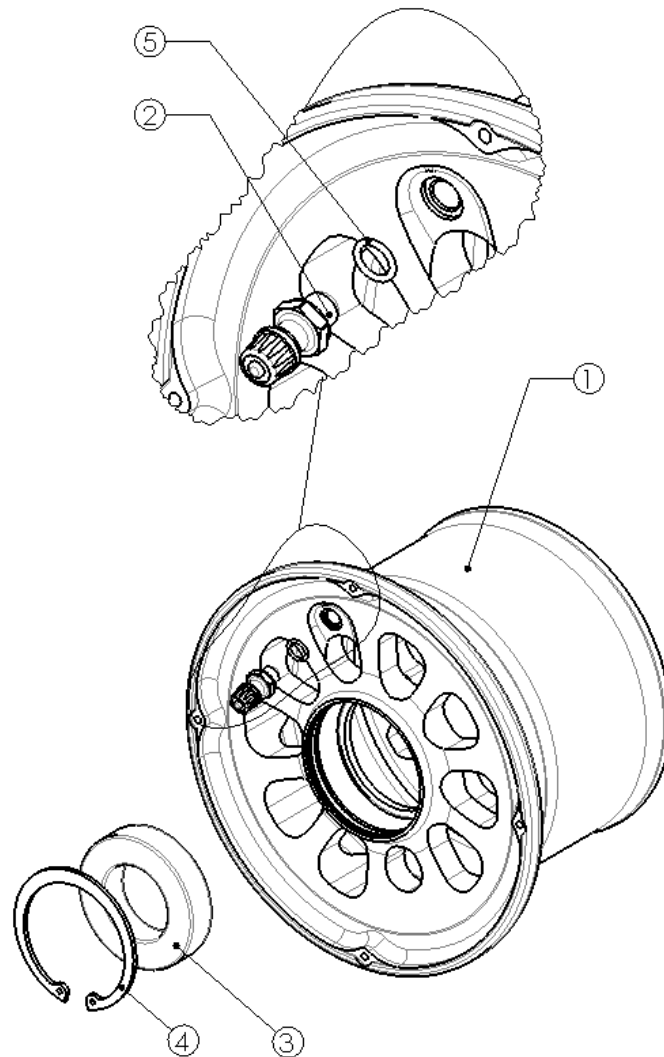
5	J-JTR-017N	Valve O-Ring/ Joint Valve	1
4	C-AL-006	Circlip D68	1
3	B-BE-014	D68_Bearing/ Roulement	1
2	A-001	Valve	1
1	JAE-024	6.00x6'' HE_Outer Wheel half/ Jante Ext	1
REP	PART NUMBER	DESCRIPTION	QTY.

10.2.26 JE-025



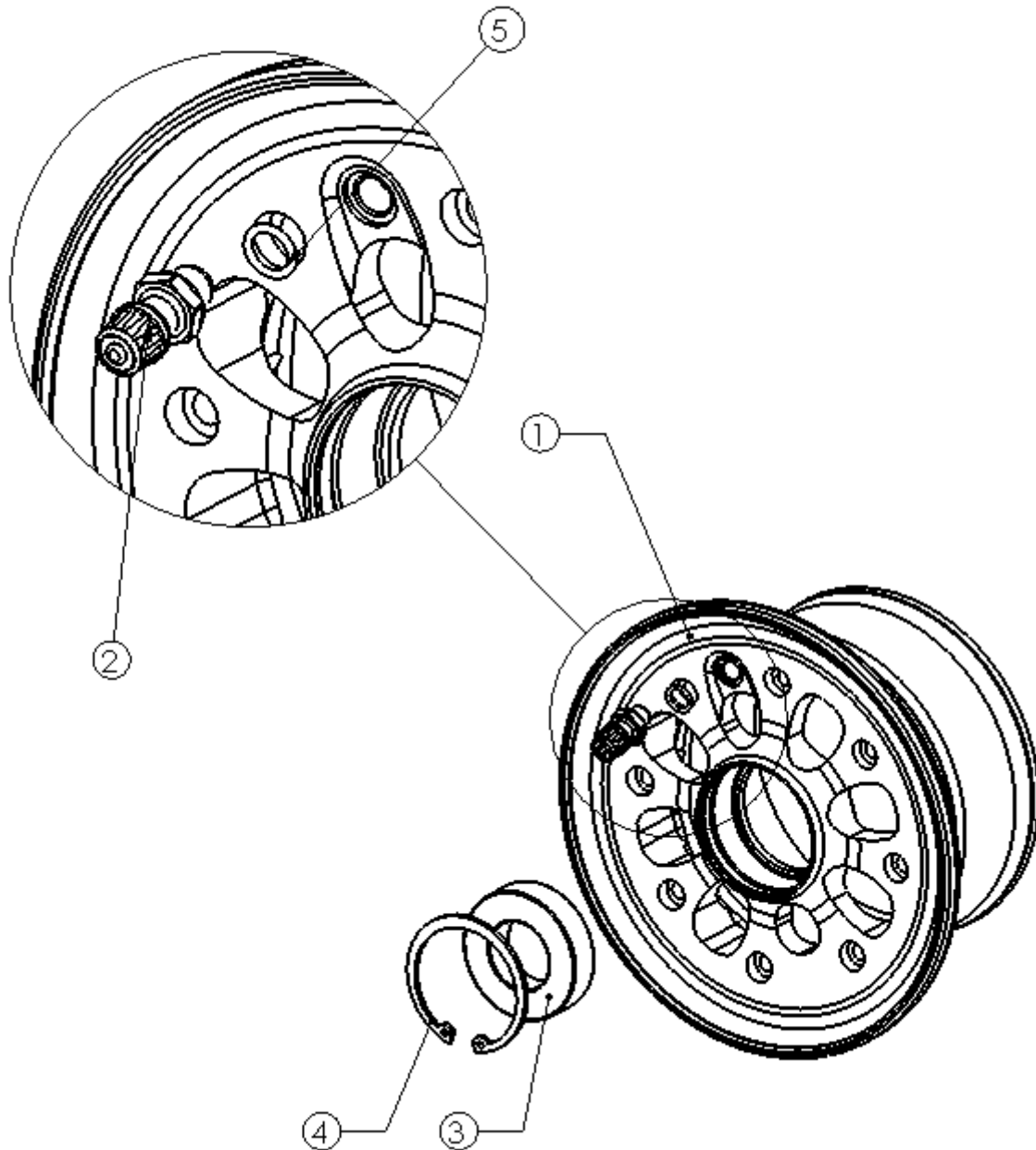
5	J-JTR-017N	Valve O-Ring/ Joint Valve	1
4	C-AL-003	Circlip D62	1
3	B-BE-003	D62_Bearing/Roulement	1
2	A-001	Valve	1
1	JAE-025	Marking 6.00X6'' HL Outer wheel half/Jante Ext	1
REP	PART NUMBER	DESCRIPTION	QTY.

10.2.27 JE-025.2



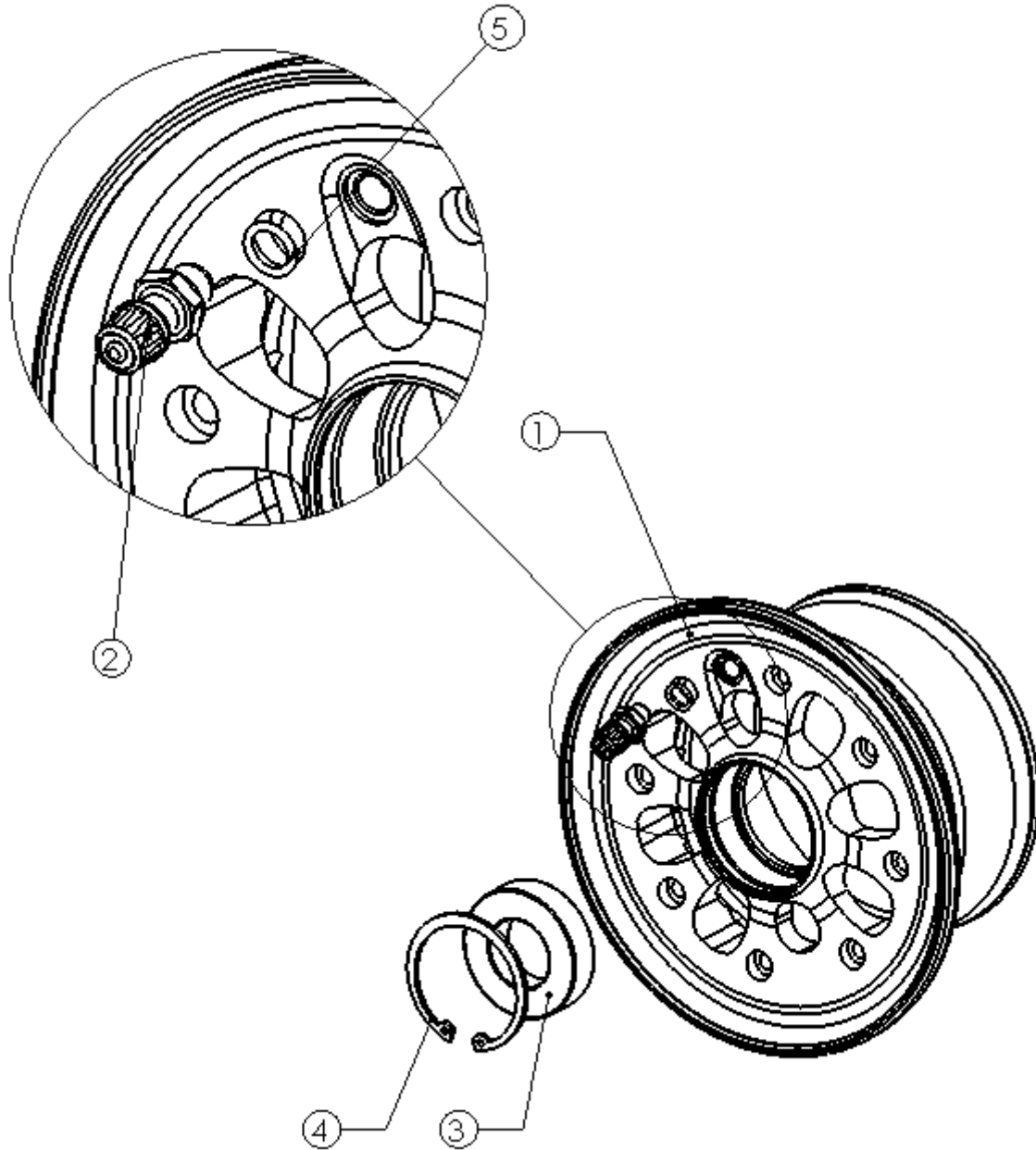
5	J-JTR-017N	Valve O-Ring/ Joint Valve	1
4	C-AL-003	Circlip D62	1
3	B-BE-003	D62_Bearing/Roulement	1
2	A-001	Valve	1
1	JAE-025.2	6.00X6'' HL(Cover)_Outer wheel half/Jante Ext	1
REP	PART NUMBER	DESCRIPTION	QTY.

10.2.28 JE-026

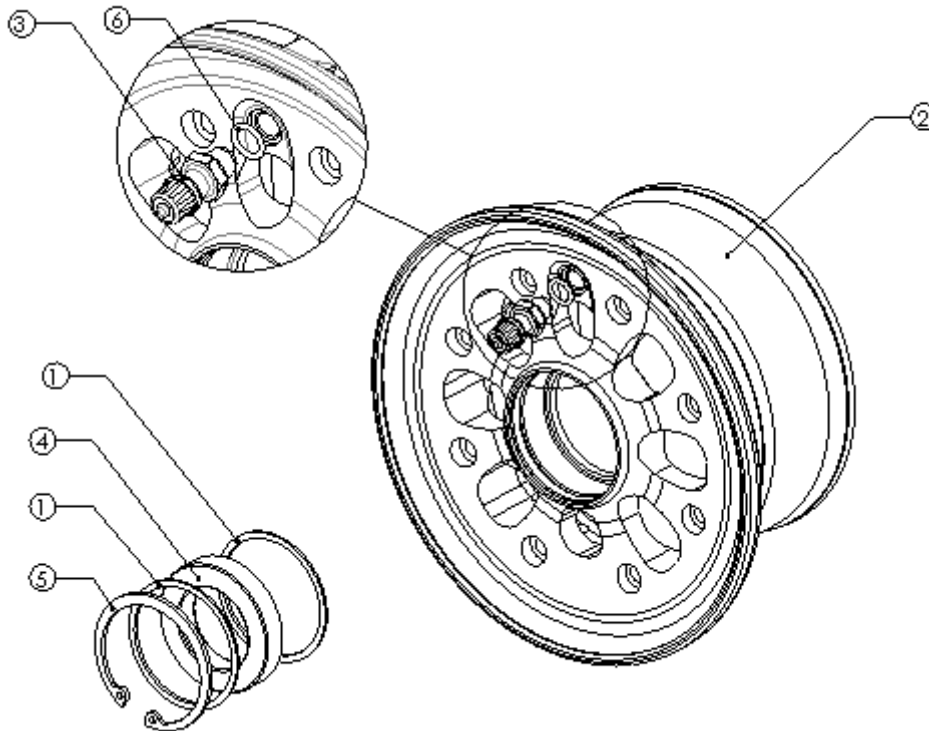


5	J-JTR-017N	Valve O-Ring/ Joint Valve	1
4	C-AL-001	Circlip D47	1
3	B-BE-001	D47_Bearing/Roulement	1
2	A-001	Valve	1
1	JAE-026	5.00X5'' HL_Outer wheel half/Jante Ext	1
REP	PART NUMBER	DESCRIPTION	QTY.

10.2.29 JE-026W

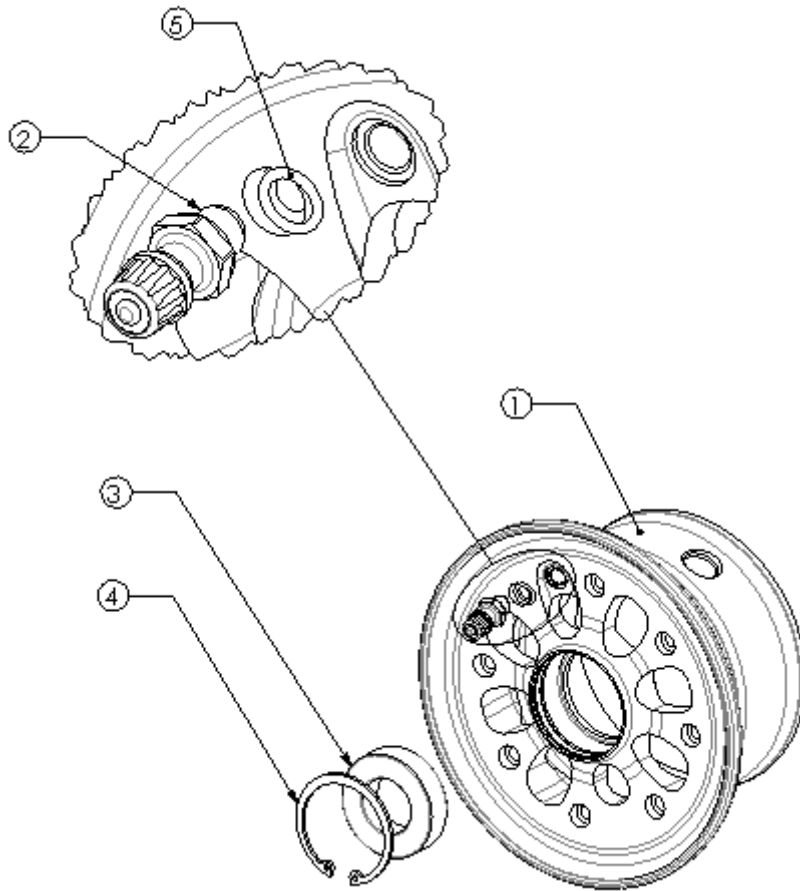


5	J-JTR-017N	Valve O-Ring/ Joint Valve	1
4	C-AL-001	Circlip D47	1
3	B-BE-001W	D47_Stainless Steel Bearing/Roulement Inox	1
2	A-001	Valve	1
1	JAE-026	5.00X5'' HL_Outer wheel half/Jante Ext	1
REP	PART NUMBER	DESCRIPTION	QTY.

10.2.30 JE-026.1


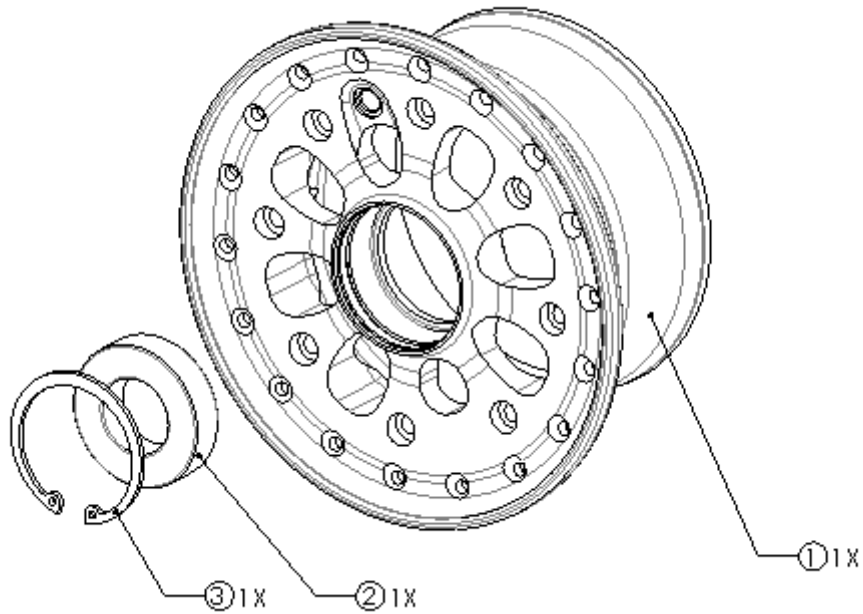
6	J-JTR-017N	Valve O-Ring/ Joint Valve	1
5	C-AL-001	Circlip D47	1
4	B-BE-012	Bearing 30-47/Roulement 30-47	1
3	A-001	Valve	1
2	JAE-026	5.00X5'' HL_ Outer wheel half/Jante Ext	1
1	BGE-014	Bearing Spacer 47/Entretoise Rlt 47	2
REP	PART NUMBER	DESCRIPTION	QTY.

10.2.31 JE-026.2

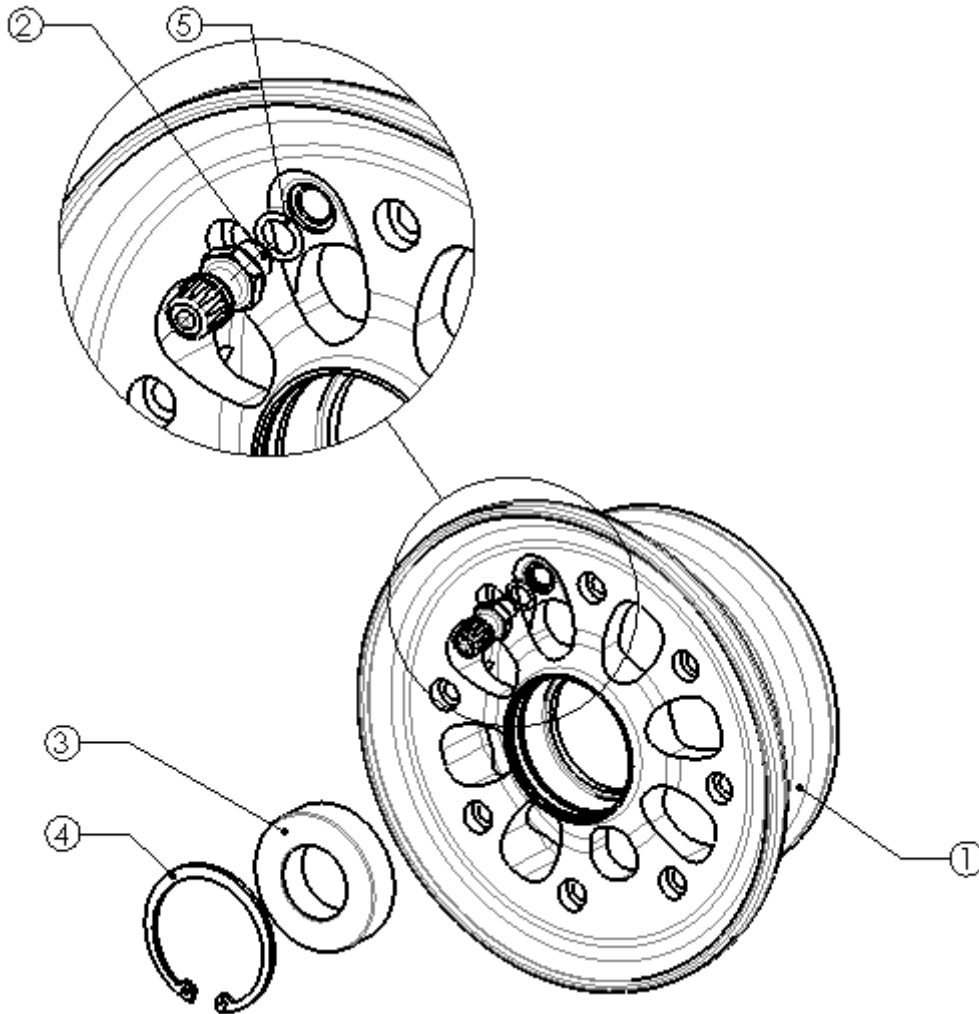


5	J-JTR-017N	Valve O-Ring/ Joint Valve	1
4	C-AL-001	Circlip D47	1
3	B-BE-001	D47_Bearing/Roulement	1
2	A-001	Valve	1
1	JAE-026.2	Outer wheel half	1
REP	PART NUMBER	DESCRIPTION	QTY.

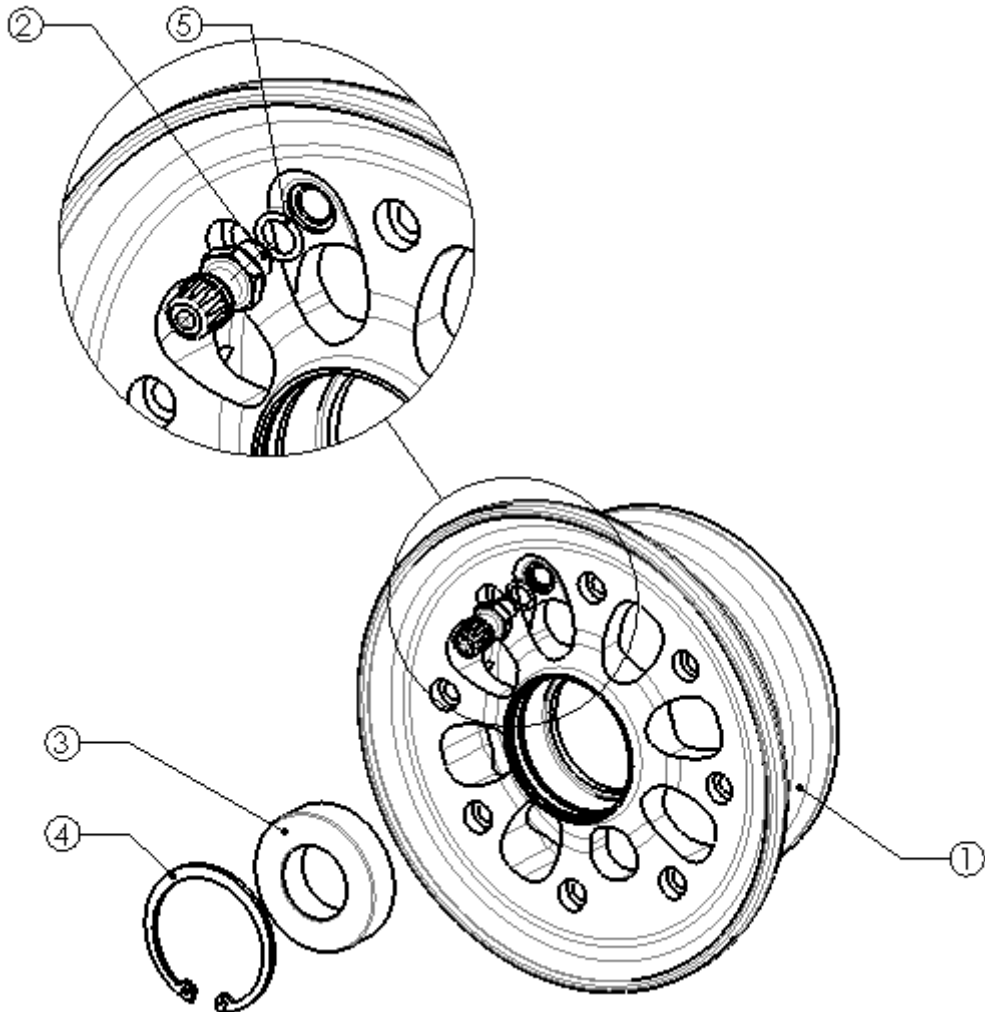
10.2.32 JE-026.4



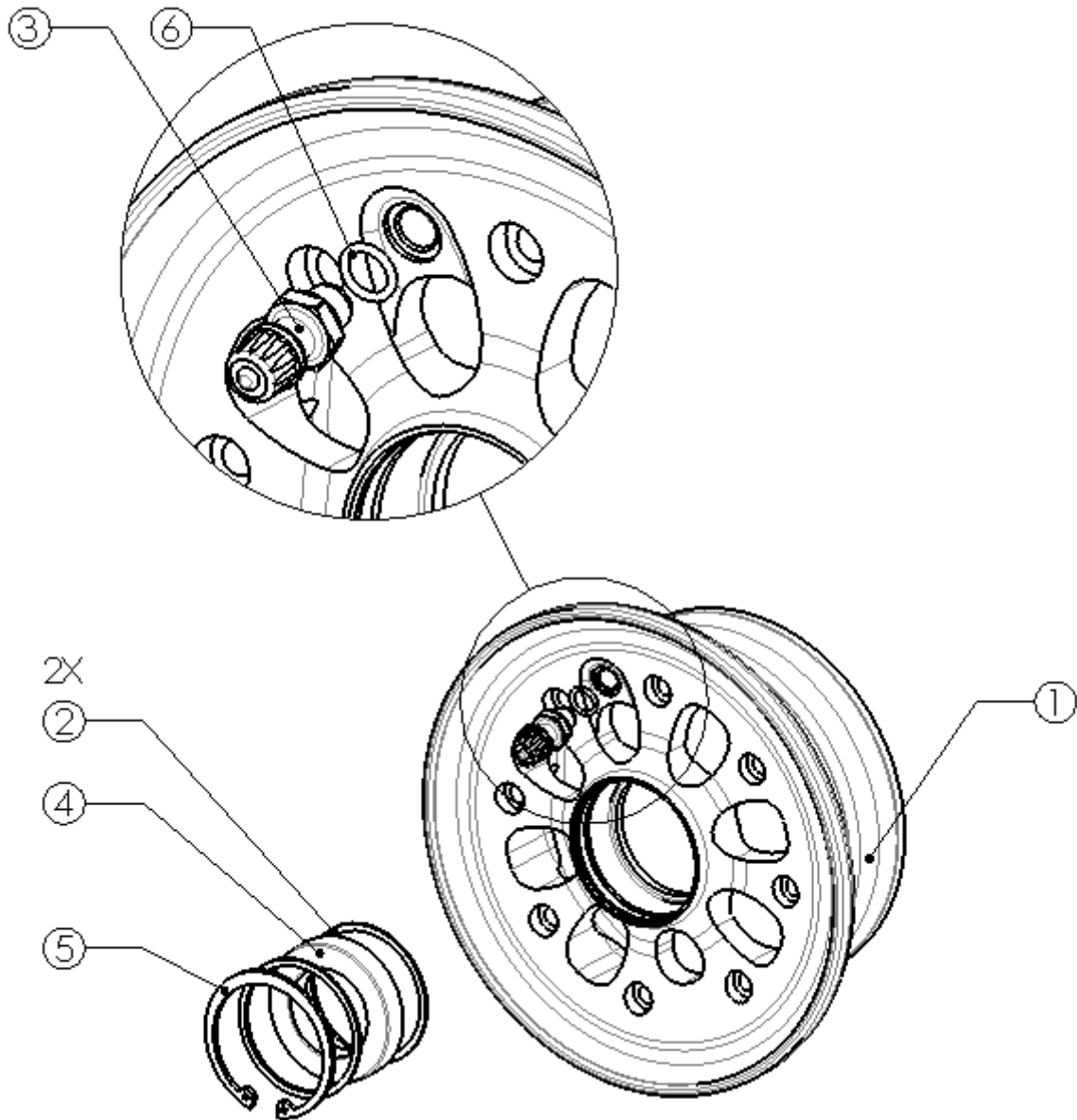
3	C-AL-001	Circlip D47	1
2	B-BE-001	D47_Bearing/Roulement	1
1	JAE-026.4	5.00X5'' HL A Rayon_Outer wheel half/Jante Ext	1
REP	PART NUMBER	DESCRIPTION	QTY.

10.2.33 JE-027


5	J-JTR-017N	Valve O-Ring/ Joint Valve	1
4	C-AL-001	Circlip D47	1
3	B-BE-001	D47_Bearing/Roulement	1
2	A-001	Valve	1
1	JAE-027	4.00x5''HL_Outer Wheel Half/Jante Ext	1
REP	PART NUMBER	DESCRIPTION	QTY.

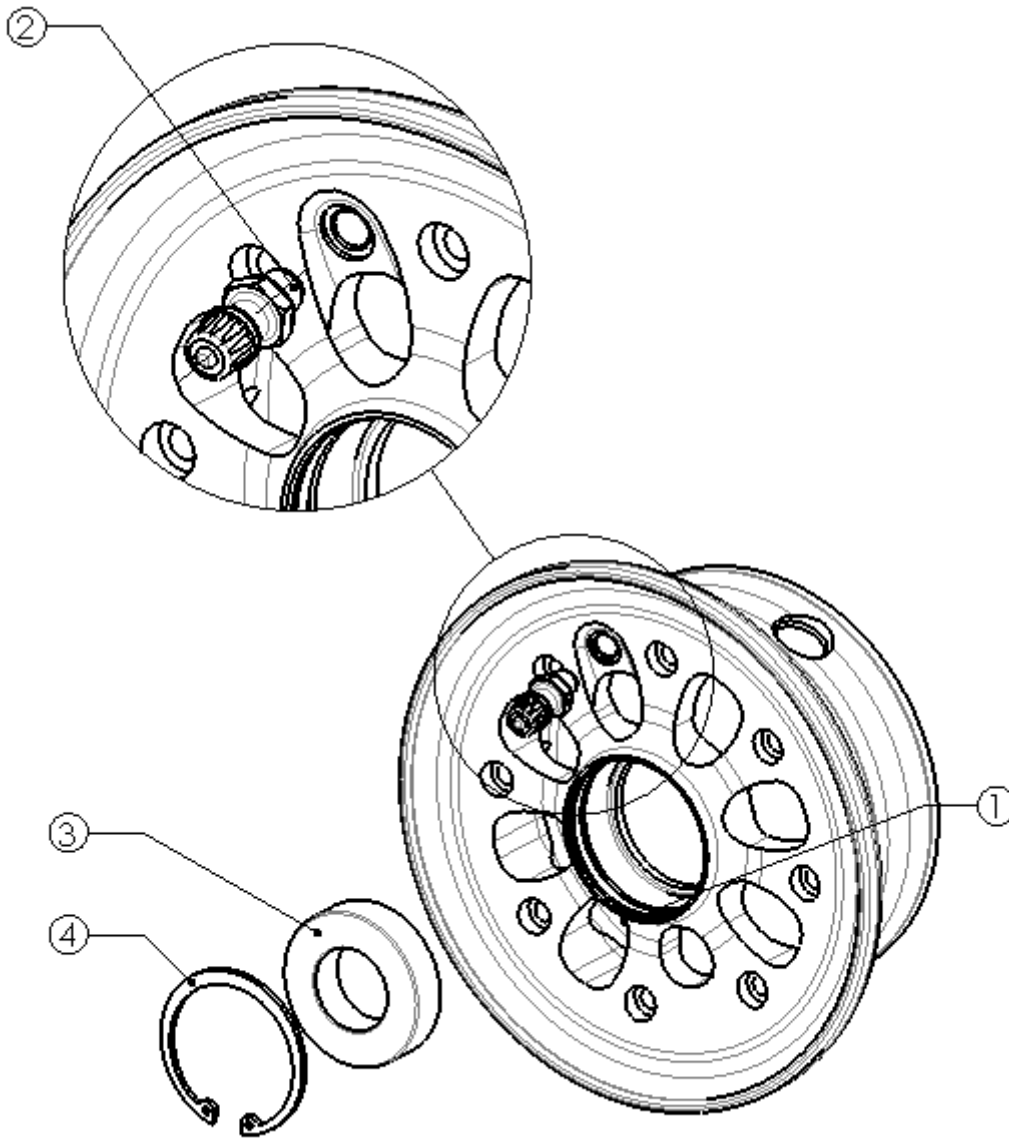
10.2.34 JE-027W


5	J-JTR-017N	Valve O-Ring/ Joint Valve	1
4	C-AL-001	Circlip D47	1
3	B-BE-001W	D47_Stainless Steel Bearing/Roulement Inox	1
2	A-001	Valve	1
1	JAE-027	4.00x5'HL_Outer Wheel Half/Jante Ext	1
REP	PART NUMBER	DESCRIPTION	QTY.

10.2.35 JE-027.1


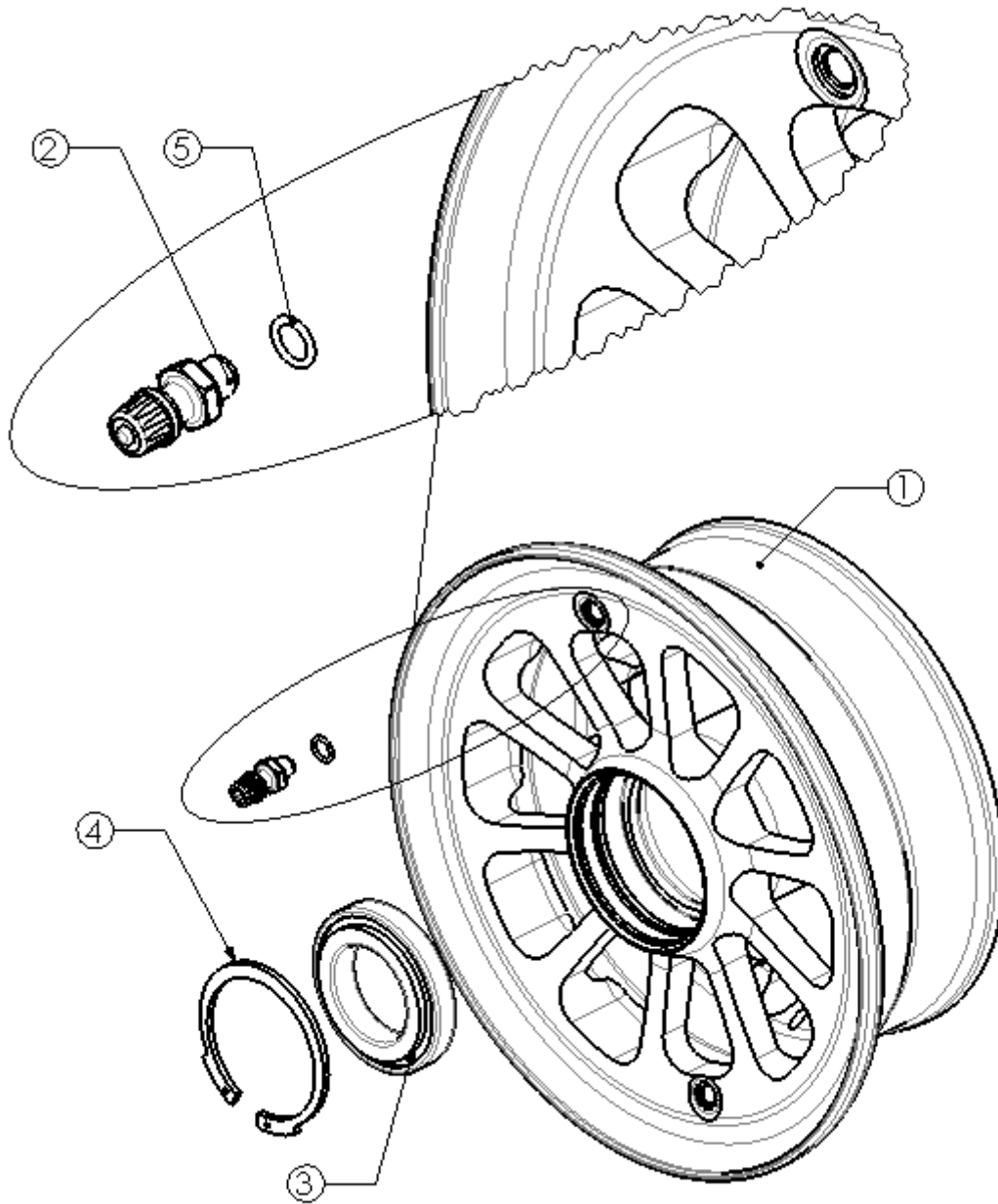
6	J-JTR-017N	Valve O-Ring/ Joint Valve	1
5	C-AL-001	Circlip D47	1
4	B-BE-012	Bearing 30-47/Roulement 30-47	1
3	A-001	Valve	1
2	BGE-014	Bearing Spacer 47/Entretoise Rlt 47	2
1	JAE-027	4.00x5'HL_ Outer Wheel Half/Jante Ext	1
REP	PART NUMBER	DESCRIPTION	QTY.

10.2.36 JE-027.2



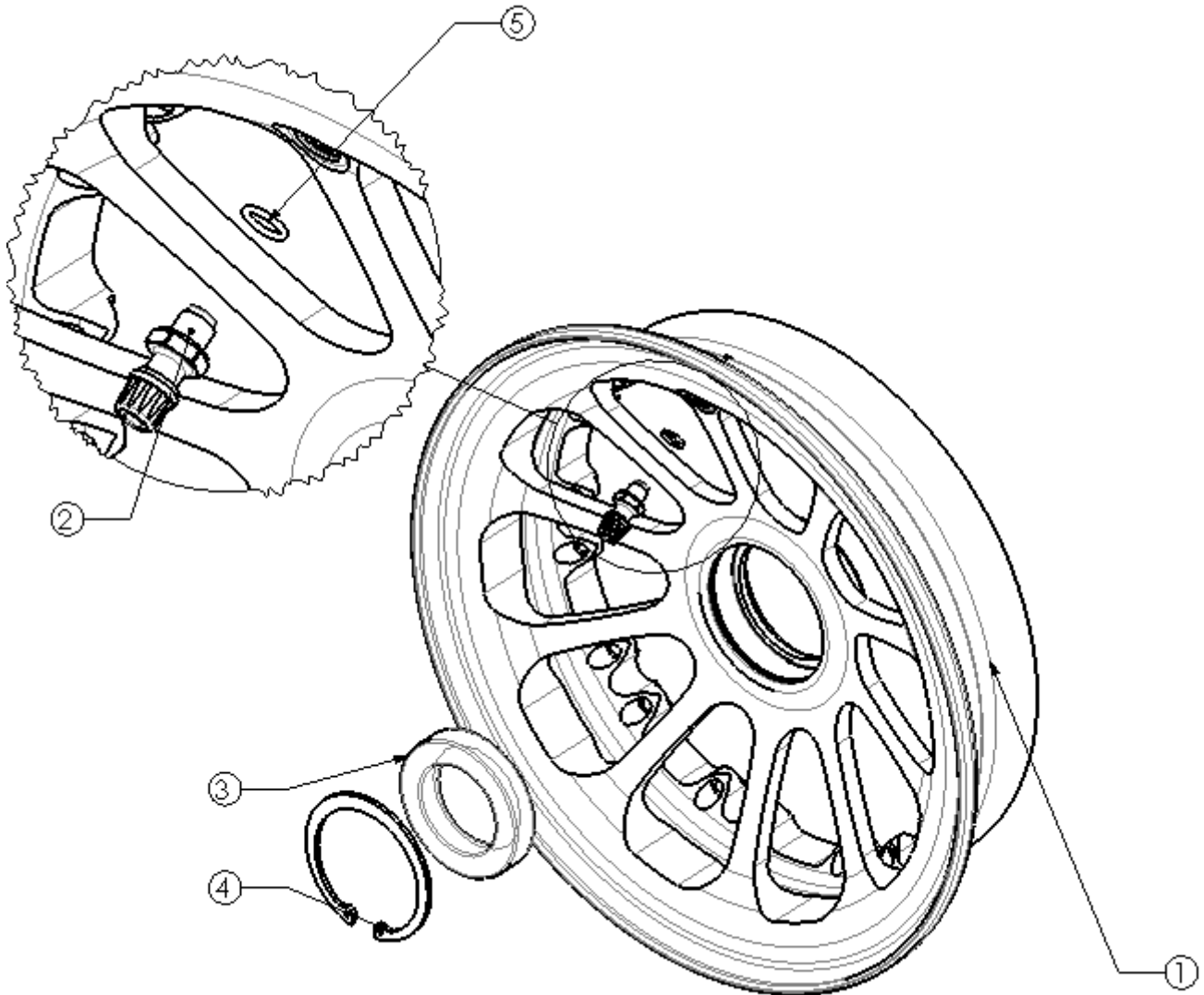
4	C-AL-001	Circlip D47	1
3	B-BE-001	D47_Bearing/Roulement	1
2	A-001	Valve	1
1	JAE-027.2	Outer wheel half	1
REP	PART NUMBER	DESCRIPTION	QTY.

10.2.37 JE-028



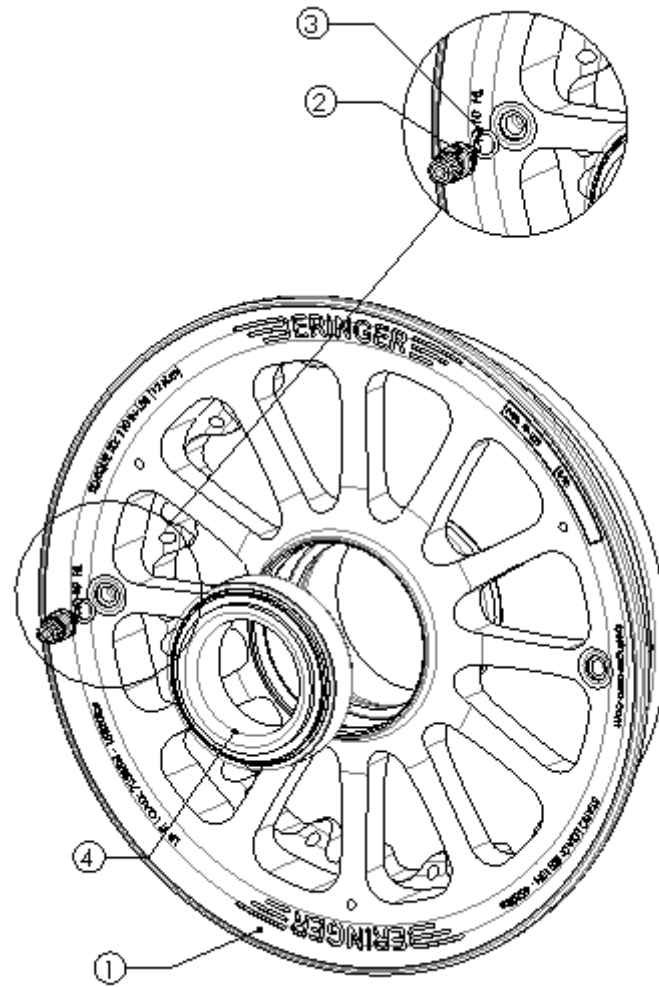
5	J-JTR-017N	Valve O-Ring/ Joint Valve	1
4	C-AL-011	B-RC-004_Circlip	1
3	B-RC-004	D38.1_Bearing/Roulement	1
2	A-001	Valve	1
1	JAE-021.4	18x5.5_Outer wheel half/ Jante Ext	1
REP	PART NUMBER	DESCRIPTION	QTY.

10.2.38 JE-029



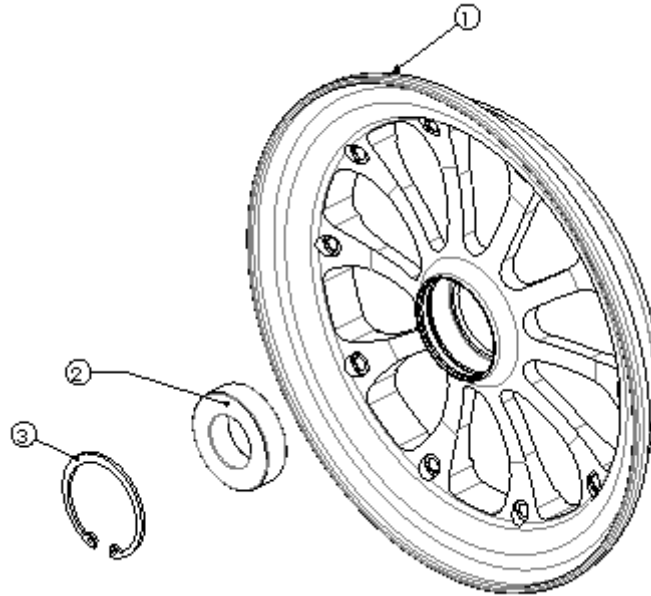
5	J-JTR-017N	Valve O-Ring/ Joint Valve	1
4	C-AL-003	Circlip D62	1
3	B-BE-013	D62_Bearing/ Roulement	1
2	A-001	Valve	1
1	JAE-029	Wheel 10'' LE_ Outer Wheel Half/Jante Extérieure	1
REP	PART NUMBER	DESCRIPTION	QTY.

10.2.39 JE-033



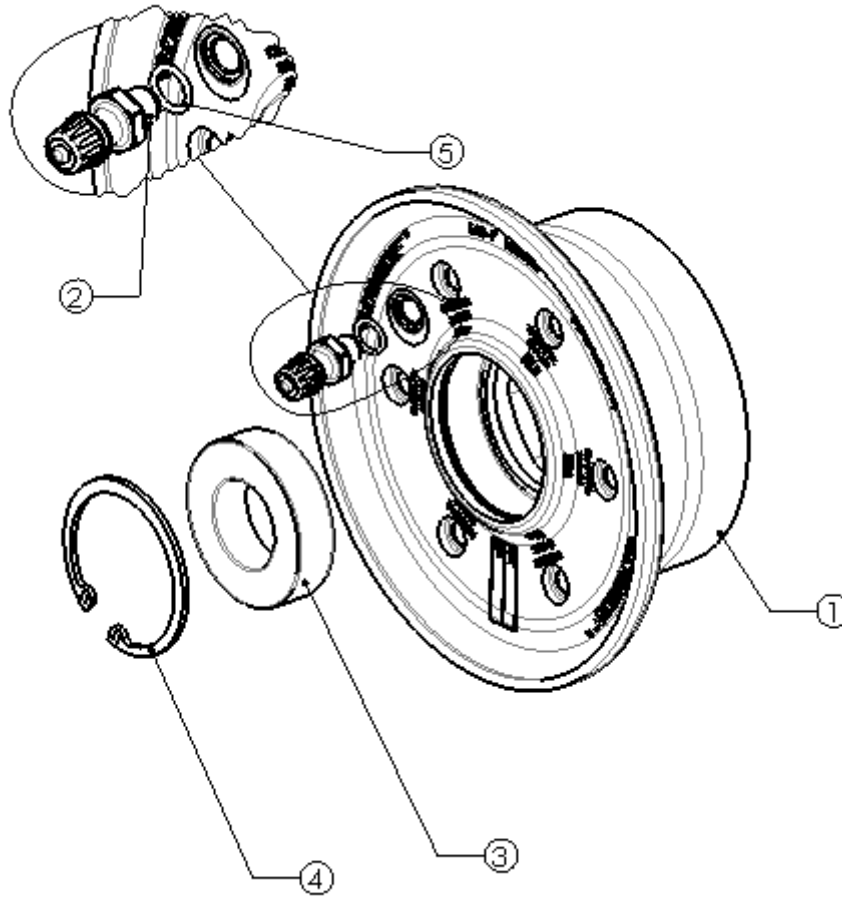
4	B-RC-006	D54.8_Bearing/Roulement	1
3	J-JTR-017N	Valve O-Ring/ Joint Valve	1
2	A-001	Valve	1
1	JAE-033	Wheel 4.40x10'' HL_ Outer wheel half/ Jante Extérieur	1
REP	PART NUMBER	DESCRIPTION	QTY.

10.2.40 JE-035



3	C-AL-001	Circlip D47	1
2	B-BE-001	D47_Bearing/Roulement	1
1	JAE-035	7.00x8'' SL_Outer wheel half/ Jante Ext	1
REP	PART NUMBER	DESCRIPTION	QTY.

10.2.41 JE-036



5	J-JTR-017N	Valve O-Ring/ Joint Valve	1
4	C-AL-001	Circlip D47	1
3	B-BE-001	D47_Bearing/Roulement	1
2	A-001	Valve	1
1	JAE-036	5.00x4'' Std_Outer wheel half / Jante Ext	1
REP	PART NUMBER	DESCRIPTION	QTY.